



AIR CONDITIONERS

SL18XC1

DAVE LENNOX SIGNATURE® COLLECTION

R-410A - SilentComfort™ Technology

PRODUCT SPECIFICATIONS

Bulletin No. 210723
November 2017
Supersedes August 2017

DAVE LENNOX
signature
COLLECTION



So simple. So smart. So comfortable.

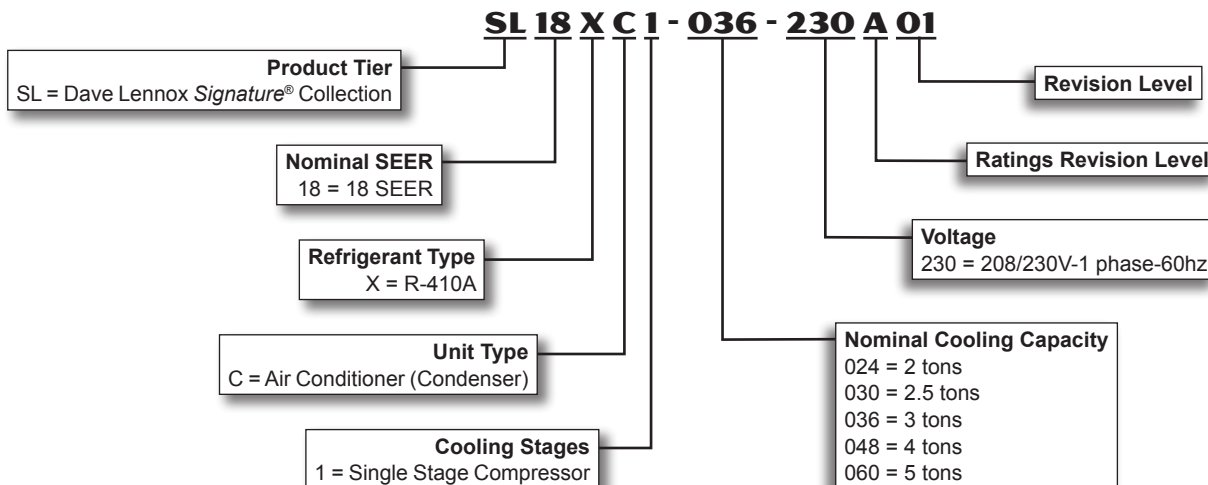


SEER up to 18.50

2 to 5 Tons

Cooling Capacity - 22,400 to 58,000 Btuh

MODEL NUMBER IDENTIFICATION



FEATURES

CONTENTS

AHRI System Matches.....	15
Dimensions.....	13
Electrical Data.....	11
Features.....	2
Field Wiring.....	12
Installation Clearances.....	12
Model Number Identification.....	1
Optional Accessories.....	11
Outdoor Sound Data.....	12
Specifications.....	11
Sunsource® Home Energy System - Components.....	7

WARRANTY

Compressor - Limited warranty for ten years in residential installations and five years in non-residential installations.

All other covered components - Ten years in residential installations and one year in non-residential installations.

Refer to Lennox Equipment Limited Warranty certificate included with unit for specific details.

APPROVALS

AHRI Certified to AHRI Standard 210/240-2008.

Sound rated in Lennox reverberant sound test room in accordance with test conditions included in AHRI Standard 270-2008.

Tested in the Lennox Research Laboratory environmental test room.

Rated according to U.S. Department of Energy (DOE) test procedures.

Air conditioners and components within bonded for grounding to meet safety standards for servicing required by ETL, NEC and CEC.

Units are ETL certified for the U.S. and Canada.

ISO 9001 Registered Manufacturing Quality System.

For expanded ratings, see www.LennoxPROs.com.

Certain ENERGY STAR® certified units are designed to use less energy, help save money on utility bills, and help protect the environment.

APPLICATIONS

SEER up to 18.50

2 through 5 ton.

Sound levels as low as 65 dB.

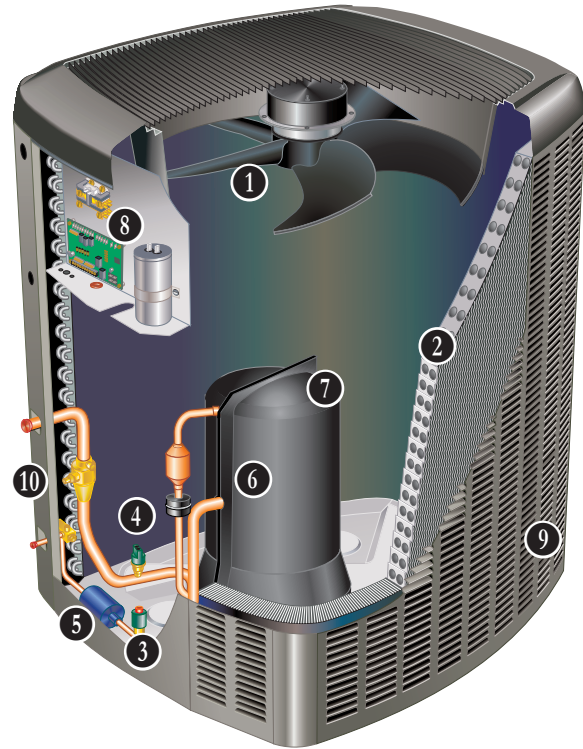
Single phase power supply.

SunSource® Solar-Ready (with optional Lennox Solar Subpanel).

Vertical air discharge allows concealment behind shrubs at grade level or out of sight on a roof.

Matching add-on furnace indoor coils or air handlers provide a wide range of cooling capacities and applications. See AHRI System Matches.

SL18XC1 - 2 to 5 Ton Air Conditioner / Page 2



See Indoor Coils and Air Handlers tab sections for data. Units shipped completely factory assembled, piped, and wired. Each unit is test operated at the factory insuring proper operation.

Installer must set air conditioner, connect refrigerant lines, and make electrical connections to complete job.

REFRIGERATION SYSTEM

R-410A Refrigerant

Non-chlorine, ozone friendly, R-410A.

Unit pre-charged with refrigerant.

See Specification table.



1 Condenser Fan with SilentComfort™ Technology

Specially-designed, SilentComfort fan guard uses Passive Vortex Suppression to reduce air noise. Corrosion-resistant PVC (polyvinyl chloride) coated steel wire.

Specially designed fan blades reduce operating sound levels. Direct drive fan moves large air volumes uniformly through entire condenser coil for high refrigerant cooling capacity.

Vertical air discharge minimizes operating sounds and eliminates damage to lawn and shrubs.

Fan motor is inherently protected.

Motor totally enclosed for maximum protection from weather, dust and corrosion.

Fan service access accomplished by removal of fan guard.

FEATURES

REFRIGERATION SYSTEM (continued)

- 2 Lennox Quantum™ Coil**

Enhanced aluminum alloy tube/enhanced fin coil for superior corrosion resistance.

Lennox designed and fabricated coil.

Ripple-edged aluminum fins.

Aluminum tube construction.

Lanced fins provide maximum exposure of fin surface to air stream resulting in excellent heat transfer.

Fin collars grip tubing for maximum contact area.

Flared shoulder tubing connections.

Coil is factory tested under high pressure to insure leakproof construction.

Entire coil is accessible for cleaning.
- 3 High Pressure Switch**

Shuts off unit if abnormal operating conditions cause the discharge pressure to rise above setting.

Protects compressor from excessive condensing pressure.

Manual reset.
- 4 Low Pressure Switch**

Shuts off unit if suction pressure falls below setting.

Provides loss of charge and freeze-up protection.

Automatic reset.
- 5 Hi-Capacity Liquid Line Drier**

Factory installed in the liquid line, the drier traps moisture or dirt that could contaminate the refrigerant system.

100% molecular-sieve bead type drier.

Optional Accessories

Expansion Valve Kits

Must be ordered separately and field installed on certain evaporator units. See TXV Usage table.

Chatleff style fitting.

Freezestat

Installs on or near the discharge line of the evaporator or on the suction line.

Senses suction line temperature and cycles the compressor off when suction line temperature falls below its setpoint.

Opens at 29°F and closes at 58°F.

Refrigerant Line Kits

Refrigerant lines (suction & liquid) are shipped refrigeration clean. Lines are cleaned, dried, pressurized, and sealed at factory.

Suction line fully insulated.

L15 lines are stubbed at both ends.

See Specifications table for selection.

Not available for -060 model and must be field fabricated.

COMPRESSOR

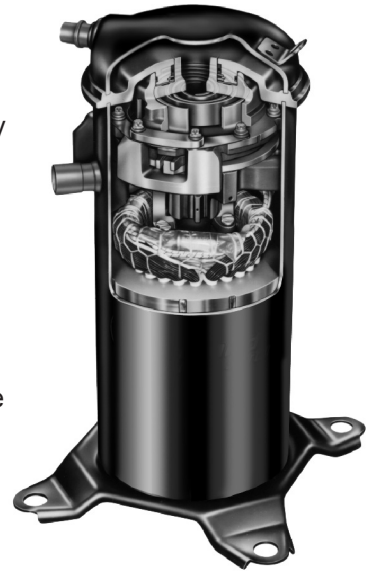
- 6 Scroll Compressor**

Compressor features high efficiency with uniform suction flow, constant discharge flow, high volumetric efficiency and quiet operation.

Compressor consists of two involute spiral scrolls matched together to generate a series of crescent shaped gas pockets between them.

During compression, one scroll remains stationary while the other scroll orbits around it.

Gas is drawn into the outer pocket, the pocket is sealed as the scroll rotates.



As the spiral movement continues, gas pockets are pushed to the center of the scrolls. Volume between the pockets is simultaneously reduced.

When the pocket reaches the center, gas is now at high pressure and is forced out of a port located in the center of the fixed scrolls.

During compression, several pockets are compressed simultaneously resulting in a smooth continuous compression cycle.

Continuous flank contact, maintained by centrifugal force, minimizes gas leakage and maximizes efficiency.

Scroll compressor is tolerant to the effects of slugging and contaminants. If this occurs, scrolls separate, allowing liquid or contaminants to be worked toward the center and discharged.

Low gas pulses during compression reduces operational sound levels.

Compressor motor is internally protected from excessive current and temperature.

Compressor is installed in the unit on resilient rubber mounts for vibration free operation.

Factory installed crankcase heater.

Crankcase Heater

Crankcase heater prevents migration of liquid refrigerant into compressor and ensures proper compressor lubrication.

- 7 Compressor Sound Dampening System**

A polyethylene compressor cover containing a 2-inch thick batt of fiberglass insulation for better sound dampening.

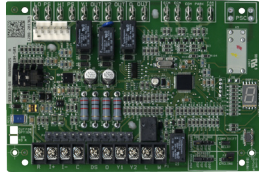
All open edges are sealed with a one-inch wide hook and loop fastening tape.

FEATURES

CONTROLS

8 iComfort® Communicating Control

Advanced control communicates information about various operating parameters in the air conditioner to the optional iComfort® Communicating Thermostat to constantly maintain the highest level of comfort, performance and efficiency available.



Connections for connecting a conventional heating/cooling thermostat are also provided on the control.

Auto Configuration - On start-up the control automatically sends a description of the unit to the optional iComfort® Communicating Thermostat to automatically configure the number of stages and features available.

Seven-Segment Display

Seven-segment display shows information about outdoor unit type and capacity and also displays alerts for common fault conditions (electrical and mechanical).

Control also features:

- Compressor anti-short cycle delay (5 minutes).
- High and low pressure switch monitoring with provisions for lockout.
- Five-Strike lockout protection protects compressor.
- Discharge line and sensor monitoring.
- Fan cycling operates outdoor fan for 5 minutes when outdoor ambient air temperature is between 15°F and 35°F and the compressor has been off for 25 to 30 minutes. Reduces the potential for ice buildup on the fan orifice ring. User selectable 5 minutes on or off (default setting).
- Lennox Humiditrol® Whole Home Dehumidification System (EDA) compatible.
- EEPROM storage of all local configurations.

Outdoor Air Temperature Sensor

Used with iComfort® Communicating Thermostats.

Sensor allows thermostat to display outdoor temperature. Sensor is auto-detected when connected to thermostat.

Also used for *Humiditrol*® applications.

Optional Accessories

Compressor Hard Start Kit

Single-phase units are equipped with a PSC compressor motor.

This type of motor normally does not need a potential relay and start capacitor.

In conditions such as low voltage, kit may be required to increase the compressor starting torque.

Indoor Blower Off Delay Relay

Delays the indoor blower-off time during the cooling cycle. Required if outdoor unit is used with a conventional heating-cooling thermostat and air handler (non-iComfort® Communicating control system). See furnace or air handler specifications to determine if relay is needed.

Low Ambient Kit

Air conditioner will operate satisfactorily down to 45°F outdoor air temperature without any additional controls. Kit can be added in the field enabling unit to operate properly down to 30°F.

A Freezestat should be installed on compressors equipped with a low ambient kit.

A Compressor Low Ambient Cut-Off should be added to terminate compressor operation below recommended operation conditions.

FEATURES

CONTROLS (continued)

Optional Accessories

iComfort® S30 Ultra-Smart Thermostat (part of the iComfort® Residential Communicating Control System)

The iComfort® S30 Thermostat recognizes and connects to all iComfort® Communicating products to automatically configure and control the heating/cooling system (based on user-specified settings) for the highest level of comfort, performance and efficiency. Also recognizes model and serial number information for iComfort® Communicating products to simplify system setup.



Wi-Fi remote temperature monitoring and adjustment through a home wireless network for desktop PCs, laptops and apps for smartphones or tablets. Also displays service alerts and reminders.

Dealer Dashboard features online real-time monitoring of installed iComfort® Communicating systems.

A simple easy-to-use touchscreen allows complete system configuration. Scheduled maintenance alerts, system warnings and troubleshooting are also displayed on thermostat screen.

Easy to read 7 in. high definition color display (measured diagonally).

Works with Amazon® Alexa-enabled products.

Conventional outdoor units (not iComfort® Communicating) can easily be added and controlled by the iComfort® S30 Thermostat.

Installer setup screens allow quick and simple system configuration without a manual, Installer can also run tests on complete system or individual components for easy maintenance and troubleshooting.

Serial communications bus (RSBus), with less wiring than a conventional heating/cooling system, allows system communication. Uses 4-wire, 18-gauge standard thermostat wiring.

Remote outdoor temperature sensor (furnished with outdoor unit) allows the thermostat to display outdoor temperature. Required in *Humiditrol*® applications.

High Definition Color Display, Mag-Mount, Smart Hub Controller, wallplate (for retrofit installations) furnished for easy installation.

See the iComfort® S30 Thermostat Product Specifications bulletin in the Controls section for more information.

iComfort Wi-Fi® Thermostat (part of the iComfort® Residential Communicating Control System)

The iComfort Wi-Fi® Thermostat recognizes and connects to all iComfort® Communicating products to automatically configure and control the heating/cooling system (based on user-specified settings) for the highest level of comfort, performance and efficiency. Also recognizes model and serial number information for iComfort® Communicating products to simplify system setup.



Wi-Fi remote temperature monitoring and adjustment through a home wireless network for desktop PCs, laptops and apps for smartphones or tablets. Also displays service alerts and reminders.

Dealer Dashboard features online real-time monitoring of installed iComfort® Communicating systems.

A simple easy-to-use touchscreen allows complete system configuration. Scheduled maintenance alerts, system warnings and troubleshooting are also displayed on thermostat screen.

Easy to read 7-inch color screen (measured diagonally).

Conventional outdoor units (not iComfort® Communicating) can easily be added and controlled by the iComfort Wi-Fi® Thermostat.

Installer setup screens allow quick and simple system configuration without a manual, Installer can also run tests on complete system or individual components for easy maintenance and troubleshooting.

Serial communications bus (RSBus), with less wiring than a conventional heating/cooling system, allows system communication. Uses 4-wire, 18-gauge standard thermostat wiring.

Remote outdoor temperature sensor (furnished with outdoor unit) allows the thermostat to display outdoor temperature. Required in *Humiditrol*® applications.

See the iComfort Wi-Fi® Thermostat Product Specifications bulletin in the Controls section for more information.

FEATURES

CONTROLS (continued)

Optional Accessories (continued)

ComfortSense® 7500 Touchscreen Thermostat

Electronic 7-day, universal, multi-stage, programmable, touchscreen thermostat.

4 Heat/2 Cool.

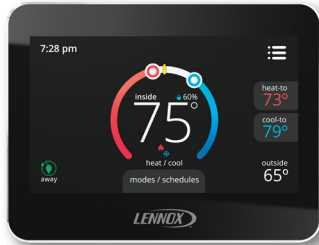
Auto-changeover.

Controls dehumidification during cooling mode.

Offers enhanced capabilities including humidification / dehumidification / dewpoint measurement and control, Humiditrol® control, and equipment maintenance reminders.

Easy-to-use, menu driven thermostat with a back-lit, LCD touchscreen.

See the ComfortSense® 7500 Product Specifications bulletin in the Controls section for more information.



Remote Outdoor Temperature Sensor for ComfortSense® 7500 Thermostat

Allows the thermostat to display outdoor temperature. Required in *Humiditrol*® applications.

Thermostat

Thermostat is not furnished with unit.

See Thermostat bulletins in Controls Section and Lennox Price Book for selection.

CABINET

Heavy-gauge steel construction

Pre-painted cabinet finish.

Control box is conveniently located with all controls factory wired.

Large removable panel provides service access.

Drainage holes are provided in base section for moisture removal.

High density polyethylene unit support feet raise the unit off of the mounting surface, away from damaging moisture.

PermaGuard™ Unit Base

Durable zinc-coated base section resists rust and corrosion.

9 SmarHinge™ Louvered Coil Protection

Steel louvered panels provides complete coil protection.

Panels are hinged to allow easy cleaning and servicing of coils.

Panels may be completely removed.

Interlocking tabs and slots assure tight fit on cabinet.



10 Refrigerant Line Connections, Electrical Inlets and Service Valves

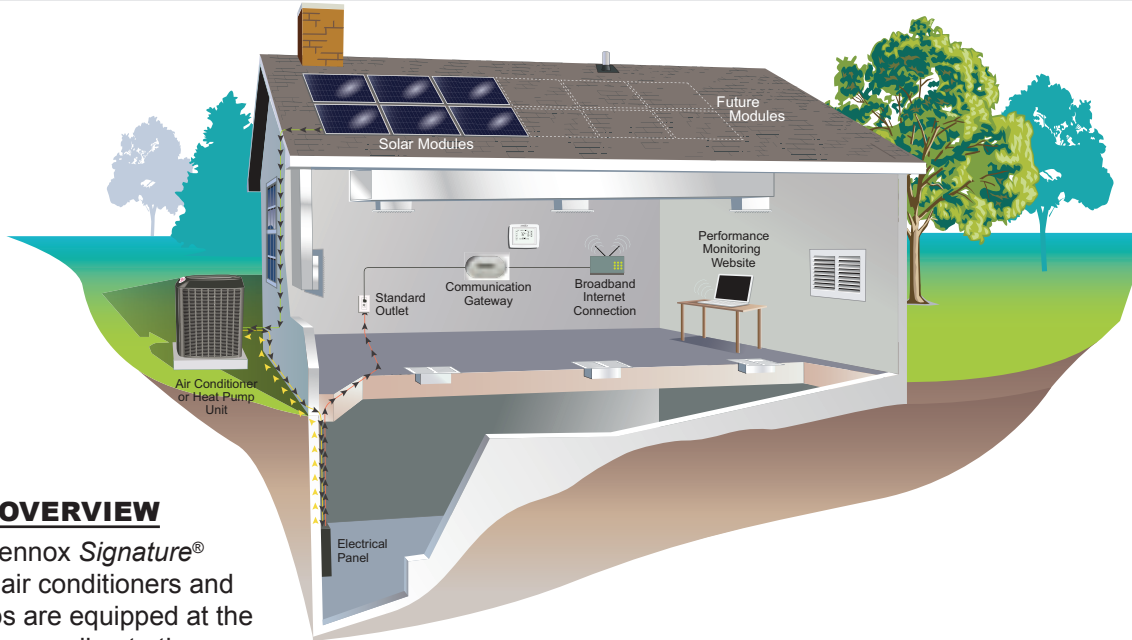
Suction and liquid lines are located on corner of unit cabinet and are made with sweat connections. See dimension drawing.

Fully serviceable brass service valves prevent corrosion and provide access to refrigerant system. Suction valve can be fully shut off, while liquid valve may be front seated to manage refrigerant charge while servicing system.

Suction and liquid line service valves and gauge ports are located inside the cabinet.

Refrigerant line connections and field wiring inlets are located in one central area of the cabinet. See dimension drawing.

SUNSOURCE® HOME ENERGY SYSTEM - COMPONENTS



SYSTEM OVERVIEW

All Dave Lennox *Signature*® Collection air conditioners and heat pumps are equipped at the factory for upgrading to the SunSource® Home Energy System.

Units can be upgraded at the time of installation or in the future.

Solar energy is first used to meet cooling/heating demands. When the cooling/heating system is not operating, the system powers lighting, appliances and other electronic devices in the home. And in some locations, any surplus power is sent back to the utility company for a possible credit (check with your local utility company for availability).

The SunSource system consists of the following components:

- Lennox Solar Sub-Panel field installed in a Dave Lennox *Signature*® Collection air conditioner or heat pump unit.
- SolarWorld Pre-Engineered Kits consisting of:
 - SolarWorld Solar Modules (1 to 16 may be used to vary the amount of electricity generated).
 - Enphase Microinverter that converts Direct Current to Alternating Current.
 - Enphase Envoy Communications Gateway for solar power performance monitoring.
 - Roof Mounting Components.

Wiring from the roof mounted solar modules is routed to the outdoor unit. From there power travels to the home electrical service panel using the existing outdoor unit power wiring.

NOTE - Refer to separate Product Specifications Bulletin for the SunSource® Home Energy System for more detailed information. See section Solar - Kits/ Accessories.

Also refer to **SunSource® Home Energy System Applications and Design Guidelines** Manual (Corp. 1312-L2) for complete information on designing, sizing and installing a complete system.

APPROVALS

The SunSource® Home Energy System meets the requirements for federal tax credit eligibility listed under the U.S. Emergency Economic Stabilization Act of 2008, covering 30% of the cost of the solar modules, including installation.

LENNOX® SOLAR SUB-PANEL

The Lennox® Solar Sub-Panel replaces the factory piping panel on the outdoor unit and provides circuit breaker protection and power entry for both HVAC (line) and solar power wiring.

Sub-Panel is equipped with separate circuit breakers for both HVAC (line) voltage and solar power.

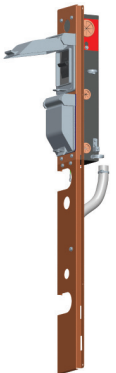
Equipped with pigtail connections for easy field wiring.

Sub-Panel is an ETL listed accessory.

Split design (upper/lower panel) allows installation on different size outdoor units. Sub-Panel is furnished with three separate lower panels. See Outdoor Unit Usage table for correct lower panel size.

NOTE - Sub-Panel is not backwards compatible with older non Solar-Ready Dave Lennox Signature® Collection outdoor units.

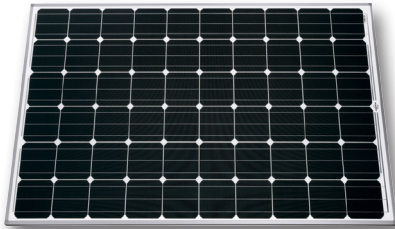
Disconnects for HVAC (line) and solar power wiring are not furnished and must be field provided.



SUNSOURCE® HOME ENERGY SYSTEM - COMPONENTS

SOLAR MODULE

Captures solar energy to convert into AC power through the Enphase Microinverter.



Laminated solar module structure consists of the solar glass, two ethylene vinyl acetate (EVA) sheets, the solar cell matrix and a back sheet.

Thick low-iron safety glass withstands extreme weather conditions and heavy snow loads.

Solar modules are ETL/Intertek listed for the US and Canada to UL Standard 1703 and meet National and Canadian Electrical Code requirements.

Solar Module Frame

Available in black or clear anodized silver frame with cast aluminum corner keys.

Low profile with extended flange.

Compatible with “top-down” and “bottom-up” mounting methods.

Eight grounding locations (Four corners of the frame and four locations along the length of the module in the extended flange).

Extended cable lengths for easier installation.

ENPHASE MICROINVERTER



The Enphase Microinverter maximizes energy production from the solar module array. Each Enphase Microinverter is individually installed on one solar module in the array.

This unique configuration means that an individual Maximum Peak Power Point Tracker (MPPT) controls each solar module. This ensures that the maximum power available from each solar module is exported to the utility grid regardless of the performance of the other solar modules in the array.

Even if individual solar modules in the array are affected by shading, soiling or orientation, the Enphase Microinverter ensures optimum performance for each associated solar module. The result is maximum energy production from the SunSource® Energy System.

SYSTEM MONITORING

Enphase Envoy Communications Gateway (Communications Booster Furnished)

The Enphase Envoy Communications Gateway monitors microinverter (on solar modules) performance and can be connected to a broadband internet connection to send data to the Enphase Enlighten™ web site for online monitoring by the homeowner. The Enphase Envoy Communications Gateway is not required, but must be used if system performance monitoring is desired. Limited system monitoring is also available locally with the Enphase Envoy Communications Gateway and a personal computer if no internet connection is available. Various Event Messages are also available when monitoring the system via a personal computer locally. Contents - (1) Enphase Envoy Communications Gateway, (1) Communications Booster, (1) 6 ft. power cord, (1) 10 ft. Ethernet cable, communications booster. CSA (US/C) listed.

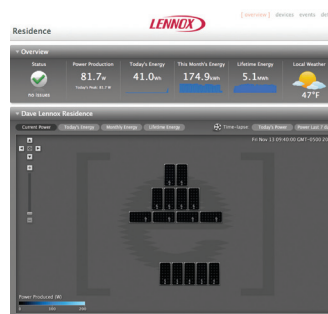


The Enphase Envoy Communications Gateway includes a Communications Booster which may or may not be needed depending upon how far the Envoy is away from the solar modules.

Communications Booster

Ethernet bridge signal booster for the Enphase Envoy Communications Gateway. Booster is only needed if the communications gateway is installed and signal is not strong enough in the installed location. Allows the unit to be plugged into an outlet closer to the distribution panel, yet still plug into the broadband router.

Enphase Enlighten™ Performance Monitoring Website

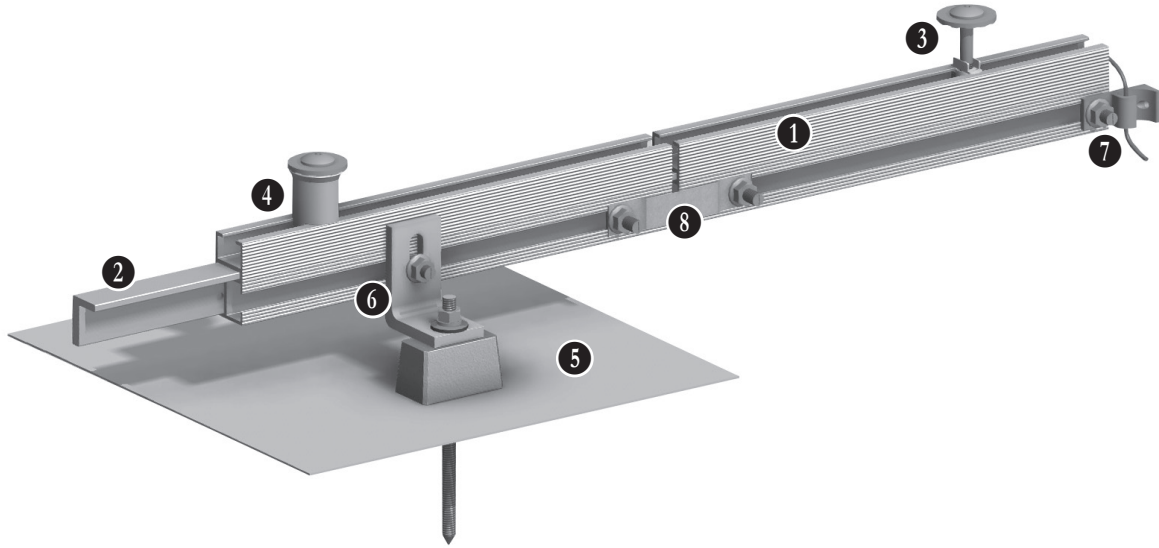


Powered by the Enphase Envoy Communications Gateway, the Enphase Enlighten™ Performance Monitoring website allows the homeowner to keep track of home energy usage and see environmental benefits in real time. Also aids in troubleshooting any solar-related issues.

See demos, view reference installations and other additional information at:

<http://enlighten.enphaseenergy.com/>

ROOF MOUNTING COMPONENTS



- 1 **Rails** - Provides a mounting surface for Solar Modules in portrait orientation using associated hardware. Serrations on sides of rails provide a secure and stable mating surface for hardware (L-Brackets, Rail Splice Ground Jumper, Ground Lug). Available in 122 in. (3099 mm) and 162 in. (4115 mm) lengths.
- 2 **Rail Splice Bar Connector** - For connecting two lengths of rail together. No fasteners required. Pin on center of splice leaves a gap between rails to allow for thermal expansion.
- 3 **Top Clamp Assembly (Silver or Black)** - M8 T40 bolt with channel nut, bolt positioning retainer and serrated module clamping washer. Inserts into rail slot to secure modules and set spacing in-between each one.
- 4 **End Clamp Aluminum Spacer (Silver or Black)** - Used with Top Clamp Assembly for securing the end of module mounting row.
- 5 **Composition Roof Mount/Flashing (Mil Aluminum or Bronze)** - Provides roof mounting surface for mounting system. Size - 12 x 12 in. (305 x 305 mm). Base block, hanger bolt and hardware furnished. Adds 1-1/4 in. (32 mm) height below the L-Bracket.
- 6 **L-Bracket** - Clear anodized aluminum with serrated mating surface. Fastens rail to Roof Mount/Flashing. Has two 1 in. (25 mm) slots that provide adjustment from 2-1/2 to 3-1/2 in. (64 to 89 mm).
Wire Clip (not shown) - Provides wire management for solar array wiring. Fastens to edge of rail. For 10 AWG.
Ground Lug (not shown) - Tin plated, WEEB 8.0, lay-in type. Mounts to corner of solar module.
- 7 **Rail-Equipment Ground WEEB 8.0 Lug** - T-bolt slides into rail for secure connection.
- 8 **Rail Splice Ground Jumper** - WEEB 8.0, pre-assembled with T-bolts. Electrically bonds rails together. Required at each rail splice.

Rooftop Junction Box (not shown) - Soladeck JBox with flashing. Used to transition from the AC-Interconnection cable to wiring/conduit to the outdoor unit. ETL-listed weather-tight enclosure.

Passthru Kit (not shown) - Used with Rooftop Junction Box. One-branch AC passthru kits. Contains all necessary wiring hardware.

ENPHASE ENGAGE CABLE COMPONENTS

Enphase Engage Cable - The Engage Cable (shown with connector) is a 12 AWG cable with pre-installed connectors (portrait aligned) that plug into the Microinverter. Four wire cable (240V single-phase).



Enphase Engage Cable Terminator - Each Engage Cable is terminated at a junction or combiner box. The opposite end of the cable must be terminated with an Engage Cable Terminator cap.



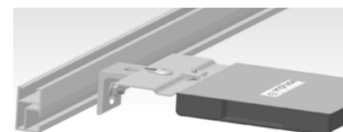
Enphase Engage Disconnect Tool - Specialized tool that disconnects the Engage Cable from a Microinverter or watertight sealing cap.



Enphase Engage Water-tight Sealing Cap - Use when open connections on the Engage Cable are not mated to a Microinverter.



ENPHASE MICROINVERTER MOUNTING



L-Bracket and associated hardware to mount microinverter to rail.

SUNSOURCE® - PRE-ENGINEERED KITS

ORDERING

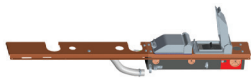
SunSource® Pre-Engineered Kits are available for composition shingle roofs, standing seam roofs, trapezoid metal roofs, flat tile roofs and S tile roofs. See the Sunsource Home Energy System Product Specifications bulletin for complete Pre-Engineered Kits ordering instructions and the Ordering Process Flowchart/Worksheet.

The Installation Package contains the appropriate number of required Rails, Splices, Brackets, Clamps, Clips and assorted hardware (nuts/bolts/washers) for the installation.

NOTE

The Lennox® Solar Sub-Panel for the outdoor unit must be ordered separately. See below for ordering information.

Lennox® Solar Sub-Panel



Order one per outdoor unit. Replaces the outdoor unit piping panel and provides the connection between the solar modules and outdoor unit.

62E02

LENNOX® SOLAR SUBPANEL - OUTDOOR UNIT USAGE

Outdoor Unit Model No.	Lower Subpanel Height - in. (mm)	
	21 (533)	27 (686)
SL18XC1-030-036-042	X	
SL18XC1-024-048-060		X

SPECIFICATIONS

General Data		Model No.	SL18XC1-024	SL18XC1-030	SL18XC1-036	SL18XC1-042	SL18XC1-048	SL18XC1-060
		Nominal Tonnage	2	2.5	3	3.5	4	5
Connections (sweat)	Liquid line (o.d.) - in.		3/8	3/8	3/8	3/8	3/8	3/8
	Suction line (o.d.) - in.		3/4	3/4	7/8	7/8	7/8	1-1/8
Refrigerant	¹ R-410A charge furnished		7 lbs. 0 oz.	8 lbs. 8 oz.	8 lbs. 8 oz.	10 lbs. 3 oz.	10 lbs. 13 oz.	12 lbs. 0 oz.
Outdoor Coil	Net face area - sq. ft.	Outer coil	27.21	23.32	23.32	23.32	27.21	27.21
		Inner coil	- - -	22.59	22.59	22.59	26.36	26.36
	Tube diameter - in.		5/16	5/16	5/16	5/16	5/16	5/16
	No. of rows		1	2	2	2	2	2
	Fins per inch		26	22	22	22	22	22
Outdoor Fan	Diameter - in.		26	26	26	26	26	26
	No. of blades		5	5	5	5	5	5
	Motor hp		1/3	1/3	1/3	1/3	1/3	1/3
	Cfm		3000	3050	3630	3630	4230	4230
	Rpm		450	500	600	600	675	675
	Watts		65	80	135	135	185	185
Shipping Data - lbs. 1 pkg.			241	258	260	280	296	298
ELECTRICAL DATA								
Line voltage data - 60hz - 1 ph			208/230V	208/230V	208/230V	208/230V	208/230V	208/230V
² Maximum overcurrent protection (amps)			25	30	30	40	45	50
³ Minimum circuit ampacity			20	20	20	24.4	26.0	31.6
Compressor	Rated load amps		11.2	12.8	14.1	17.9	19.2	23.7
	Locked rotor amps		60.8	67.8	72.2	112.0	117	152.5
	Power factor		.97	.97	.99	.97	.97	.96
Outdoor Fan Motor	Full load amps		2.0	2.0	2.0	2.0	2.0	2.0
CONTROLS								
iComfort® S30 Thermostat	12U67		•	•	•	•	•	•
iComfort Wi-Fi® Thermostat	10F81		•	•	•	•	•	•
ComfortSense® 7500 Thermostat	13H14		•	•	•	•	•	•
Outdoor Temperature Sensor - for ComfortSense® 7500	X2658		•	•	•	•	•	•
⁴ Discharge Air Temp. Sensor	88K38		•	•	•	•	•	•
OPTIONAL ACCESSORIES - ORDER SEPARATELY								
Compressor Hard Start Kit	88M91		•	•	•	•	•	•
Freezestat	3/8 in. tubing 93G35		•	•	•	•	•	•
	5/8 in. tubing 50A93		•	•	•	•	•	•
Indoor Blower Off Delay Relay	58M81		•	•	•	•	•	•
⁵ Low Ambient Kit	68M04		•	•	•	•	•	•
Refrigerant Line Sets	L15-41-20, L15-41-40		•	•				
	L15-41-30, L15-41-50				•	•	•	
	L15-65-30, L15-65-40, L15-65-50							•
	Field Fabricate							•

NOTE - Extremes of operating range are plus 10% and minus 5% of line voltage.

¹ Refrigerant charge sufficient for 15 ft. length of refrigerant lines.

² HACR type breaker or fuse.

³ Refer to National or Canadian Electrical Code manual to determine wire, fuse and disconnect size requirements.

⁴ Used with the iComfort® Communicating Thermostats for optional service diagnostics.

⁵ Freezestat is recommended with Low Ambient Kit.

INSTALLATION CLEARANCES - INCHES (MM)

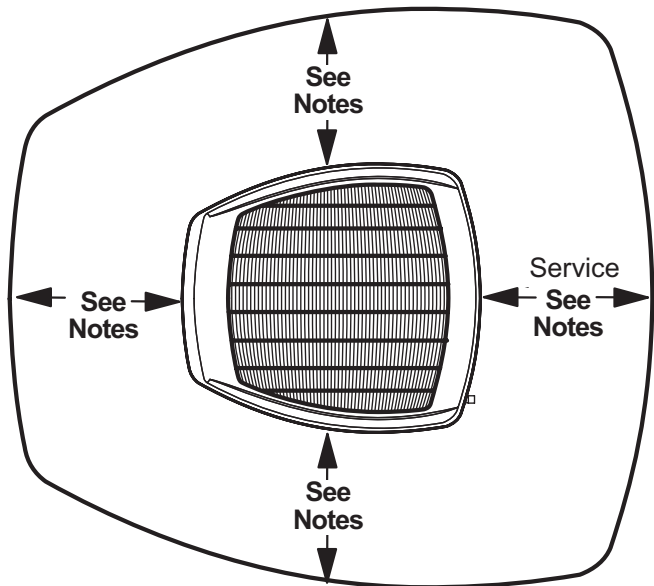
NOTES

One of the three sides must be 36 in. (914 mm).
 One of the two remaining sides may be 12 in. (305 mm).
 The remaining side may be 6 in. (152 mm).

Service Clearance – 30 in. (762 mm).

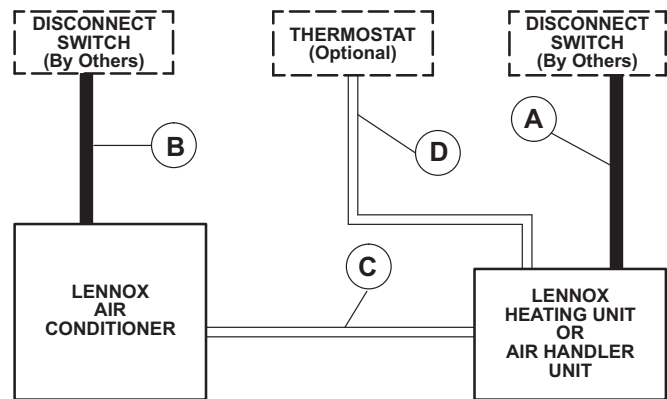
48 in. (1219 mm) clearance required on top of unit.

24 in. (610 mm) required between two units.



FIELD WIRING

- A - Two Wire Power (not furnished)
 - B - Two Power (not furnished) See Electrical Data
 - C - Four Wire Low Voltage (not furnished) 18 ga. minimum
 - D - Six Wire Low Voltage (not furnished) 18 ga. minimum - with Conventional Thermostat
 - Four Wire Low Voltage RSBUS (not furnished) 18 ga. minimum - With iComfort® Communicating Thermostat
- All wiring must conform to NEC or CEC and local electrical codes.



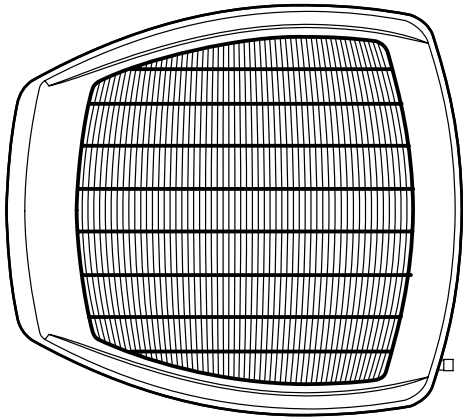
OUTDOOR SOUND DATA

¹ Unit Model No.	Octave Band Linear Sound Power Levels dB, re 10 ⁻¹² Watts							¹ Sound Rating Number (dB)
	Center Frequency - HZ							
	125	250	500	1000	2000	4000	8000	
SL18XC1-024	68	67	66	60	52	47	45	65
SL18XC1-030	68	69	67	63	56	51	49	68
SL18XC1-036	72	72	71	65	59	53	48	71
SL18XC1-042	71	73	72	65	58	53	49	71
SL18XC1-048	72	74	75	68	62	56	51	74
SL18XC1-060	74	73	74	69	62	58	55	74

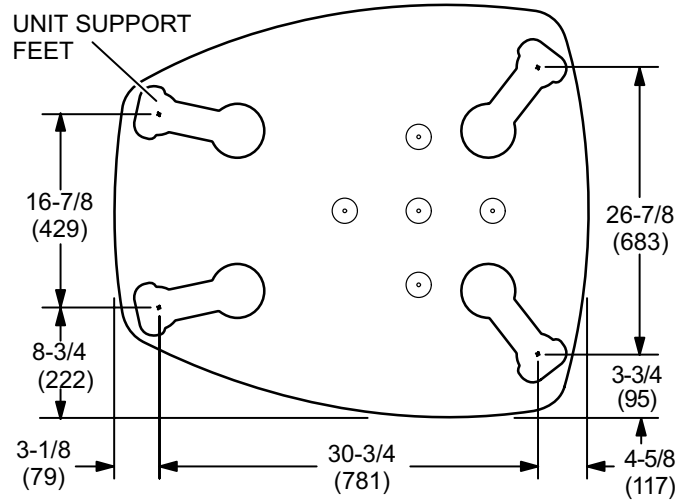
NOTE - the octave sound power data does not include tonal correction.

¹ Tested according to AHRI Standard 270-2008 test conditions.

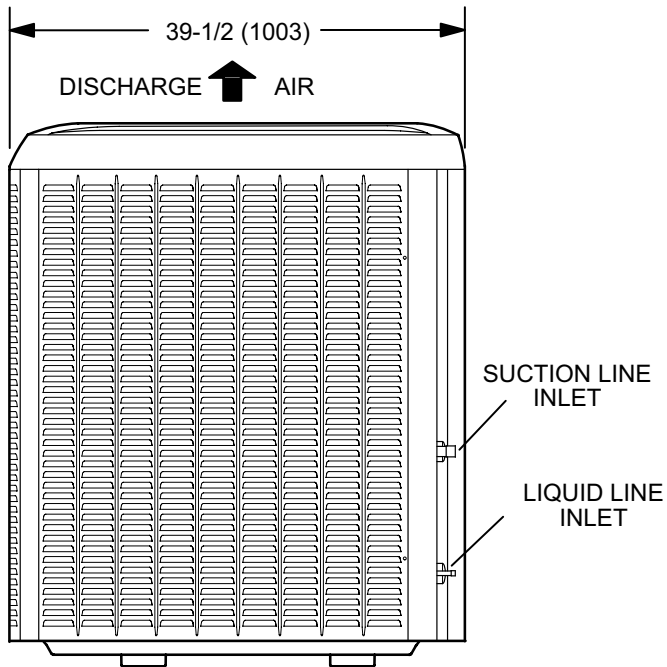
DIMENSIONS - INCHES (MM)



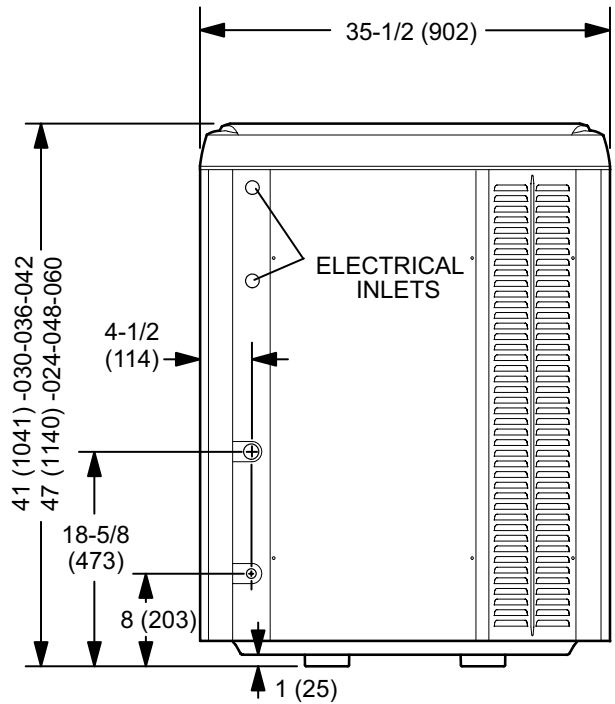
TOP VIEW



**TOP VIEW BASE SECTION
(Large Base)**



SIDE VIEW



ACCESS VIEW

TXV USAGE

Outdoor Unit Model No.	Order No.
SL18XC1-024	12J18
SL18XC1-030	12J18
SL18XC1-036	12J19
SL18XC1-042	12J20
SL18XC1-048	12J20
SL18XC1-060	12J20

CX34 upflow coils and all Lennox air handlers are shipped with a factory installed TXV. In most cases, no change out of the valve is needed.

If a change out is required it will be listed in the "TXV SUBSTITUTIONS" table. The correct TXV must be ordered and field installed. C33 coils and all horizontal and downflow coils are shipped without a TXV. The TXV must be ordered and field installed.

*TXV SUBSTITUTIONS

Indoor Coils/Air Handlers with factory installed expansion valves that require field replacement

Outdoor Unit Model No.	Indoor Coil or Air Handler	Factory TXV	Replacement TXV
SL18XC1-030	CX34-42	12J20	12J18
SL18XC1-030	CX34-43	12J20	12J18
SL18XC1-030	CX34-44/48	12J20	12J18
SL18XC1-030	CX35-48	12J20	12J18
SL18XC1-036	CBX32M-030	12J18	12J19
SL18XC1-036	CBX32MV-024/030	12J18	12J19
SL18XC1-036	CX34-31	12J18	12J19
SL18XC1-036	CX35-30	12J18	12J19

*CX34 coils and all air handlers - The factory installed expansion valve must be replaced with the expansion valve listed (ordered separately). If the combination is not listed above, the factory installed TXV is used.

MOST POPULAR MATCHES

Outdoor Unit Model No.	Indoor Unit Model No
SL18XC1-024	CX34-31
SL18XC1-030	CX34-31
SL18XC1-036	CX34-38
SL18XC1-042	CX34-50/60C
SL18XC1-048	CX34-50/60C
SL18XC1-060	CX34-62D

AHRI STANDARD 210/240

Cooling or heating capacities are net values, including the effects of blower motor heat, and do not include supplementary heat. Power input is the total power input to the compressor(s) and fan(s), plus any controls and other items required as part of the system for normal operation.

Units which do not have an indoor air-circulating blower furnished as part of the model, i.e., split system with indoor coil only, is established by subtracting from the total cooling capacity 1250 Btu/h per 1,000 cfm, and by adding the same amount to the heating capacity. Total power input for both heating and cooling is increased by 365 W per 1,000 cfm of indoor air circulated.

AHRI SYSTEM MATCHES

NOTE - For the latest up-to-date system matches please visit the AHRI web site at <http://www.ahridirectory.org>

Model No.	Expansion Device	Capacity	SEER	EER	Coil or Air Handler	Furnace	AHRI Reference
SL18XC1-024-230	TXV	23600	16.5	13.5	C35-18/24B	EL195UH030XE24B	8593887
SL18XC1-024-230	TXV	23600	16.5	13.5	C35-18/24B	EL195UH045XE24B	8593888
SL18XC1-024-230	TXV	24000	17.5	14	C35-24A	EL180UH045E36A	8551239
SL18XC1-024-230	TXV	24000	15.5	12.5	C35-24A	EL180UH045XE36A	8551240
SL18XC1-024-230	TXV	24000	17.5	14	C35-24A	SL280UH070V36A	8551242
SL18XC1-024-230	TXV	24000	17	14	C35-24A	SL280UH070XV36A	8551243
SL18XC1-024-230	TXV	24000	17.5	14	C35-24B	CBWMV-36B-070	8551247
SL18XC1-024-230	TXV	24000	16.5	13	C35-24B	EL180UH070E36B	8551250
SL18XC1-024-230	TXV	24000	16.5	13.5	C35-24B	EL180UH070XE36B	8551251
SL18XC1-024-230	TXV	24000	17.5	14	C35-24B	EL195UH030XE24B	8593889
SL18XC1-024-230	TXV	24000	17.5	14	C35-24B	EL195UH045XE24B	8593890
SL18XC1-024-230	TXV	24000	17.5	14	C35-24B	EL195UH070XE36B	8551249
SL18XC1-024-230	TXV	24000	17	14	C35-24B	EL296UH070XE36B	8551256
SL18XC1-024-230	TXV	24000	17.5	14	C35-24B	EL296UH070XV36B	8551255
SL18XC1-024-230	TXV	24000	17.5	14	C35-24B	SL280UH090V36B	8551253
SL18XC1-024-230	TXV	24000	17.5	14	C35-24B	SLP98UH070XV36B	8551254
SL18XC1-024-230	TXV	24000	15.5	12.5	C35-24B		8552476
SL18XC1-024-230	TXV	24000	15.5	12.5	C35-30/36A	EL180UH045E36A	8551262
SL18XC1-024-230	TXV	24000	18	15	C35-30/36A	EL180UH045XE36A	8551263
SL18XC1-024-230	TXV	24000	18	15	C35-30/36A	SL280UH070V36A	8551264
SL18XC1-024-230	TXV	24000	18	15	C35-30/36A	SL280UH070XV36A	8551265
SL18XC1-024-230	TXV	24000	18	15	C35-30/36B	EL180UH070E36B	8693570
SL18XC1-024-230	TXV	24000	18	15	C35-30/36B	EL180UH070XE36B	8693571
SL18XC1-024-230	TXV	24000	17.5	14	C35-30/36B	EL195UH030XE24B	8593891
SL18XC1-024-230	TXV	24000	17.5	14	C35-30/36B	EL195UH045XE24B	8593892
SL18XC1-024-230	TXV	24000	17	14	C35-30/36B	EL195UH070XE36B	8551266
SL18XC1-024-230	TXV	24000	18	15	C35-30/36B	EL296UH070XE36B	8551271
SL18XC1-024-230	TXV	24000	18	15	C35-30/36B	SL280UH090V36B	8551270
SL18XC1-024-230	TXV	24000	15.1	12.5	C35-30/36B		8552477
SL18XC1-024-230	TXV	24000	17.5	14	C35-30A	EL180UH045E36A	8551275
SL18XC1-024-230	TXV	24000	17.5	14	C35-30A	EL180UH045XE36A	8551276
SL18XC1-024-230	TXV	24000	15.1	12.5	C35-30A	SL280UH070V36A	8551277
SL18XC1-024-230	TXV	24000	17.5	14	C35-30A	SL280UH070XV36A	8551278
SL18XC1-024-230	TXV	24000	15.5	12.5	C35-30A		8552478
SL18XC1-024-230	TXV	24000	17.5	14	C35-30B	EL180UH070E36B	8551280
SL18XC1-024-230	TXV	24000	16.5	13.5	C35-30B	EL180UH070XE36B	8551281
SL18XC1-024-230	TXV	24000	17.5	14.5	C35-30B	EL195UH030XE24B	8593893
SL18XC1-024-230	TXV	24000	17.5	14.5	C35-30B	EL195UH045XE24B	8593894
SL18XC1-024-230	TXV	24000	17.5	14	C35-30B	EL195UH045XE36B	8551279
SL18XC1-024-230	TXV	24000	16.5	13.5	C35-30B	EL296UH070XE36B	8551286
SL18XC1-024-230	TXV	24000	17	14	C35-30B	EL296UH070XV36B	8551285
SL18XC1-024-230	TXV	24000	17.5	14	C35-30B	SL280UH090V36B	8551283
SL18XC1-024-230	TXV	24000	17	14	C35-30B	SLO185B79/105V42	9114301
SL18XC1-024-230	TXV	24000	17.5	14	C35-30B	SLP98UH070XV36B	8551284
SL18XC1-024-230	TXV	24000	15.5	12.5	C35-36A	EL180UH045E36A	8551290
SL18XC1-024-230	TXV	24000	18	15	C35-36A	EL180UH045XE36A	8551291
SL18XC1-024-230	TXV	24000	18	15	C35-36A	SL280UH070V36A	8551292
SL18XC1-024-230	TXV	24000	18	15	C35-36A	SL280UH070XV36A	8551293
SL18XC1-024-230	TXV	24000	17.5	14	C35-36B	EL180UH070E36B	8551295

NOTES:

TXV = Matched with Thermostatic Expansion Valve.

RFC = Matched with RFC metering device.

Ratings are AHRI Certified to AHRI Standard 210/240 (with 25 ft. of connecting refrigerant lines); 95°F outdoor air temperature, 80°F db / 67°F wb entering evaporator air.

All ratings include the use of a blower time delay relay (TDR). All Lennox variable-speed furnaces and Air Handlers have time delay capabilities. Other Furnaces and Air Handlers may require an optional time delay relay (**58M81**) for field installation. See furnace or air handler specifications to determine if relay is needed.

Also see Expansion Valve Kit Usage Table.

AHRI SYSTEM MATCHES

NOTE - For the latest up-to-date system matches please visit the AHRI web site at <http://www.ahridirectory.org>

Model No.	Expansion Device	Capacity	SEER	EER	Coil or Air Handler	Furnace	AHRI Reference
SL18XC1-024-230	TXV	24000	18	15	C35-36B	EL180UH070XE36B	8551296
SL18XC1-024-230	TXV	24000	18	14.5	C35-36B	EL195UH030XE24B	8593895
SL18XC1-024-230	TXV	24000	18	14.5	C35-36B	EL195UH045XE24B	8593896
SL18XC1-024-230	TXV	24000	17	14	C35-36B	EL195UH070XE36B	8551294
SL18XC1-024-230	TXV	24000	17	14	C35-36B	EL296UH070XE36B	8551301
SL18XC1-024-230	TXV	24000	17.5	14	C35-36B	EL296UH070XV36B	8551300
SL18XC1-024-230	TXV	24000	18	15	C35-36B	SL280UH090V36B	8551298
SL18XC1-024-230	TXV	24000	18	15	C35-36B	SLP98UH070XV36B	8551299
SL18XC1-024-230	TXV	24000	15.5	12.5	C35-36B		8552479
SL18XC1-024-230	TXV	24000	18	15	CBA27UHE-024		10259443
SL18XC1-024-230	TXV	24000	18	15	CBA27UHE-030		10259444
SL18XC1-024-230	TXV	24000	17.5	15	CBX27UH-024		8110423
SL18XC1-024-230	TXV	24000	18	15	CBX27UH-030		8110424
SL18XC1-024-230	TXV	23800	15.5	12.5	CBX32M-018/024		8110425
SL18XC1-024-230	TXV	24000	16	13	CBX32M-030		8110426
SL18XC1-024-230	TXV	24000	16.5	14	CBX32MV-018/024		8110427
SL18XC1-024-230	TXV	24000	17.5	14	CBX32MV-024/030		8110428
SL18XC1-024-230	TXV	24000	18	15	CBX32MV-036		8110429
SL18XC1-024-230	TXV	24000	18	15	CBX40UHV-024		8110430
SL18XC1-024-230	TXV	24000	18	15	CBX40UHV-030		8110431
SL18XC1-024-230	TXV	24000	18	15	CBX40UHV-036		8110432
SL18XC1-024-230	TXV	22800	16.5	13	CH23-31	EL195UH030XE24B	8593897
SL18XC1-024-230	TXV	22800	16.5	13	CH23-31	EL195UH045XE24B	8593898
SL18XC1-024-230	TXV	23000	16.5	13	CH23-31	SL280UH090V48B	8110434
SL18XC1-024-230	TXV	22600	14.25	12.2	CH23-31		8110435
SL18XC1-024-230	TXV	24000	17.5	14	CH23-41	EL195UH030XE24B	8593899
SL18XC1-024-230	TXV	24000	17.5	14	CH23-41	EL195UH045XE24B	8593900
SL18XC1-024-230	TXV	24000	17	14	CH23-41	SL280UH090V48B	8110436
SL18XC1-024-230	TXV	23800	15.1	12.5	CH23-41		8110437
SL18XC1-024-230	TXV	24000	17	14	CH33-19	EL180UH045E36A	8110440
SL18XC1-024-230	TXV	24000	17	14	CH33-19	EL180UH045XE36A	8110441
SL18XC1-024-230	TXV	24000	17.5	14	CH33-19	SL280UH070V36A	8110438
SL18XC1-024-230	TXV	24000	17.5	14	CH33-19	SL280UH070XV36A	8110439
SL18XC1-024-230	TXV	23400	15	12.5	CH33-19		8110442
SL18XC1-024-230	TXV	23800	17	13.5	CH33-24/30	EL180UH045E36A	8110445
SL18XC1-024-230	TXV	23800	17	13.5	CH33-24/30	EL180UH045XE36A	8110446
SL18XC1-024-230	TXV	24000	17	14	CH33-24/30	SL280UH070V36A	8110443
SL18XC1-024-230	TXV	24000	17	14	CH33-24/30	SL280UH070XV36A	8110444
SL18XC1-024-230	TXV	23400	15	12.5	CH33-24/30		8110447
SL18XC1-024-230	TXV	24000	17.5	14	CH33-25A	EL180UH045E36A	8110450
SL18XC1-024-230	TXV	24000	17.5	14	CH33-25A	EL180UH045XE36A	8110451
SL18XC1-024-230	TXV	24000	17.5	14	CH33-25A	SL280UH070V36A	8110448
SL18XC1-024-230	TXV	24000	17.5	14	CH33-25A	SL280UH070XV36A	8110449
SL18XC1-024-230	TXV	24000	15.5	12.5	CH33-25A		8110452
SL18XC1-024-230	TXV	24000	17.5	14	CH33-25B	EL180UH070E36B	8110454
SL18XC1-024-230	TXV	24000	17.5	14	CH33-25B	EL180UH070XE36B	8110455
SL18XC1-024-230	TXV	24000	17.5	14	CH33-25B	EL195UH030XE24B	8593901
SL18XC1-024-230	TXV	24000	17.5	14	CH33-25B	EL195UH045XE24B	8593902
SL18XC1-024-230	TXV	24000	17.5	14	CH33-25B	EL195UH070XE36B	8110459

NOTES:

TXV = Matched with Thermostatic Expansion Valve.

RFC = Matched with RFC metering device.

Ratings are AHRI Certified to AHRI Standard 210/240 (with 25 ft. of connecting refrigerant lines); 95°F outdoor air temperature, 80°F db / 67°F wb entering evaporator air.

All ratings include the use of a blower time delay relay (TDR). All Lennox variable-speed furnaces and Air Handlers have time delay capabilities. Other Furnaces and Air Handlers may require an optional time delay relay (**58M81**) for field installation. See furnace or air handler specifications to determine if relay is needed.

Also see Expansion Valve Kit Usage Table.

AHRI SYSTEM MATCHES

NOTE - For the latest up-to-date system matches please visit the AHRI web site at <http://www.ahridirectory.org>

Model No.	Expansion Device	Capacity	SEER	EER	Coil or Air Handler	Furnace	AHRI Reference
SL18XC1-024-230	TXV	24000	17.5	14	CH33-25B	EL296UH045XV36B	8110458
SL18XC1-024-230	TXV	24000	17.5	14	CH33-25B	EL296UH070XE36B	8110460
SL18XC1-024-230	TXV	24000	17.5	14	CH33-25B	EL296UH070XV36B	8110456
SL18XC1-024-230	TXV	24000	17	14	CH33-25B	SL280UH090V36B	8110461
SL18XC1-024-230	TXV	24000	17.5	14	CH33-25B	SLP98UH070XV36B	8110457
SL18XC1-024-230	TXV	24000	15.1	12.5	CH33-25B		8110462
SL18XC1-024-230	TXV	24000	17.5	14	CH33-31	SL280UH090V48B	8110453
SL18XC1-024-230	TXV	24000	17.5	14	CH33-31A	EL180UH045E36A	8110465
SL18XC1-024-230	TXV	24000	17.5	14	CH33-31A	EL180UH045XE36A	8110466
SL18XC1-024-230	TXV	24000	17.5	15	CH33-31A	SL280UH070V36A	8110463
SL18XC1-024-230	TXV	24000	17.5	15	CH33-31A	SL280UH070XV36A	8110464
SL18XC1-024-230	TXV	24000	15.5	12.5	CH33-31A		8111345
SL18XC1-024-230	TXV	24000	18	15	CH33-31B	EL180UH070E36B	8110469
SL18XC1-024-230	TXV	24000	18	15	CH33-31B	EL180UH070XE36B	8110470
SL18XC1-024-230	TXV	24000	18	14.5	CH33-31B	EL195UH030XE24B	8593903
SL18XC1-024-230	TXV	24000	18	14.5	CH33-31B	EL195UH045XE24B	8593904
SL18XC1-024-230	TXV	24000	18	15	CH33-31B	EL195UH070XE36B	8110474
SL18XC1-024-230	TXV	24000	18	15	CH33-31B	EL296UH045XV36B	8110473
SL18XC1-024-230	TXV	24000	18	15	CH33-31B	EL296UH070XE36B	8110475
SL18XC1-024-230	TXV	24000	18	15	CH33-31B	EL296UH070XV36B	8110471
SL18XC1-024-230	TXV	24000	18	15	CH33-31B	SL280UH090V36B	8110468
SL18XC1-024-230	TXV	24000	17.5	14	CH33-31B	SL280UH090V48B	8111344
SL18XC1-024-230	TXV	24000	18	15	CH33-31B	SLP98UH070XV36B	8110472
SL18XC1-024-230	TXV	24000	15.5	12.5	CH33-31B		8110467
SL18XC1-024-230	TXV	24000	18	15	CH33-36	EL296UH090XV36C	8110491
SL18XC1-024-230	TXV	24000	17	14	CH33-36A	EL180UH045E36A	8110478
SL18XC1-024-230	TXV	24000	17	14	CH33-36A	EL180UH045XE36A	8110479
SL18XC1-024-230	TXV	24000	17.5	14	CH33-36A	SL280UH070V36A	8110476
SL18XC1-024-230	TXV	24000	17.5	14	CH33-36A	SL280UH070XV36A	8110477
SL18XC1-024-230	TXV	23800	15.1	12.5	CH33-36A		8110480
SL18XC1-024-230	TXV	24000	17.5	14	CH33-36B	EL180UH070E36B	8110482
SL18XC1-024-230	TXV	24000	17.5	14	CH33-36B	EL180UH070XE36B	8110483
SL18XC1-024-230	TXV	24000	17.5	14	CH33-36B	EL195UH030XE24B	8593905
SL18XC1-024-230	TXV	24000	17.5	14	CH33-36B	EL195UH045XE24B	8593906
SL18XC1-024-230	TXV	24000	17.5	14	CH33-36B	EL195UH070XE36B	8110487
SL18XC1-024-230	TXV	24000	17.5	14	CH33-36B	EL296UH045XV36B	8110486
SL18XC1-024-230	TXV	24000	17.5	14	CH33-36B	EL296UH070XE36B	8110488
SL18XC1-024-230	TXV	24000	17.5	14	CH33-36B	EL296UH070XV36B	8110484
SL18XC1-024-230	TXV	24000	17	14	CH33-36B	SL280UH090V36B	8110489
SL18XC1-024-230	TXV	24000	17.5	14	CH33-36B	SL280UH090V48B	8110481
SL18XC1-024-230	TXV	24000	17.5	14	CH33-36B	SLP98UH070XV36B	8110485
SL18XC1-024-230	TXV	23800	15.1	12.5	CH33-36B		8110490
SL18XC1-024-230	TXV	24000	18	15	CH33-36C	SLP98UH090XV36C	8111346
SL18XC1-024-230	TXV	24000	15.5	12.5	CH33-36C		8110492
SL18XC1-024-230	TXV	24000	17	14	CH35-18A	EL180UH045E36A	8110495
SL18XC1-024-230	TXV	24000	17	14	CH35-18A	EL180UH045XE36A	8110496
SL18XC1-024-230	TXV	24000	17.5	14	CH35-18A	SL280UH070V36A	8110493
SL18XC1-024-230	TXV	24000	17.5	14	CH35-18A	SL280UH070XV36A	8110494
SL18XC1-024-230	TXV	23600	15.1	12.5	CH35-18A		8110497

NOTES:

TXV = Matched with Thermostatic Expansion Valve.

RFC = Matched with RFC metering device.

Ratings are AHRI Certified to AHRI Standard 210/240 (with 25 ft. of connecting refrigerant lines); 95°F outdoor air temperature, 80°F db / 67°F wb entering evaporator air.

All ratings include the use of a blower time delay relay (TDR). All Lennox variable-speed furnaces and Air Handlers have time delay capabilities. Other Furnaces and Air Handlers may require an optional time delay relay (**58M81**) for field installation. See furnace or air handler specifications to determine if relay is needed.

Also see Expansion Valve Kit Usage Table.

AHRI SYSTEM MATCHES

NOTE - For the latest up-to-date system matches please visit the AHRI web site at <http://www.ahridirectory.org>

Model No.	Expansion Device	Capacity	SEER	EER	Coil or Air Handler	Furnace	AHRI Reference
SL18XC1-024-230	TXV	24000	17.5	14	CH35-24A	EL180UH045E36A	8110500
SL18XC1-024-230	TXV	24000	17.5	14	CH35-24A	EL180UH045XE36A	8110501
SL18XC1-024-230	TXV	24000	17.5	14	CH35-24A	SL280UH070V36A	8110498
SL18XC1-024-230	TXV	24000	17.5	14	CH35-24A	SL280UH070XV36A	8110499
SL18XC1-024-230	TXV	24000	15.5	12.5	CH35-24A		8110502
SL18XC1-024-230	TXV	24000	17.5	14	CH35-24B	EL180UH070E36B	8110504
SL18XC1-024-230	TXV	24000	17.5	14	CH35-24B	EL180UH070XE36B	8110505
SL18XC1-024-230	TXV	24000	17.5	14	CH35-24B	EL195UH030XE24B	8593907
SL18XC1-024-230	TXV	24000	17.5	14	CH35-24B	EL195UH045XE24B	8593908
SL18XC1-024-230	TXV	24000	17.5	14	CH35-24B	EL195UH070XE36B	8110509
SL18XC1-024-230	TXV	24000	17.5	14	CH35-24B	EL296UH045XV36B	8110508
SL18XC1-024-230	TXV	24000	17.5	14	CH35-24B	EL296UH070XE36B	8110510
SL18XC1-024-230	TXV	24000	17.5	14	CH35-24B	EL296UH070XV36B	8110506
SL18XC1-024-230	TXV	24000	17.5	15	CH35-24B	SL280UH090V36B	8110503
SL18XC1-024-230	TXV	24000	17.5	14	CH35-24B	SL280UH090V48B	8110511
SL18XC1-024-230	TXV	24000	17.5	14	CH35-24B	SLP98UH070XV36B	8110507
SL18XC1-024-230	TXV	24000	15.5	12.5	CH35-24B		8110512
SL18XC1-024-230	TXV	24000	17.5	14	CH35-30A	EL180UH045E36A	8110515
SL18XC1-024-230	TXV	24000	17.5	14	CH35-30A	EL180UH045XE36A	8110516
SL18XC1-024-230	TXV	24000	18	15	CH35-30A	SL280UH070V36A	8110513
SL18XC1-024-230	TXV	24000	18	15	CH35-30A	SL280UH070XV36A	8110514
SL18XC1-024-230	TXV	24000	16	13	CH35-30A		8110517
SL18XC1-024-230	TXV	24000	18	15	CH35-30B	EL180UH070E36B	8110519
SL18XC1-024-230	TXV	24000	18	15	CH35-30B	EL180UH070XE36B	8110520
SL18XC1-024-230	TXV	24000	18	14.5	CH35-30B	EL195UH030XE24B	8593909
SL18XC1-024-230	TXV	24000	18	14.5	CH35-30B	EL195UH045XE24B	8593910
SL18XC1-024-230	TXV	24000	18	15	CH35-30B	EL195UH070XE36B	8110524
SL18XC1-024-230	TXV	24000	18	15	CH35-30B	EL296UH045XV36B	8110523
SL18XC1-024-230	TXV	24000	18	15	CH35-30B	EL296UH070XE36B	8110525
SL18XC1-024-230	TXV	24000	18	15	CH35-30B	EL296UH070XV36B	8110521
SL18XC1-024-230	TXV	24000	18	15	CH35-30B	SL280UH090V36B	8110518
SL18XC1-024-230	TXV	24000	17.5	14	CH35-30B	SL280UH090V48B	8110526
SL18XC1-024-230	TXV	24000	18	15	CH35-30B	SLP98UH070XV36B	8110522
SL18XC1-024-230	TXV	24000	15.5	12.5	CH35-30B		8110527
SL18XC1-024-230	TXV	24000	17	14	CH35-36A	EL180UH045E36A	8110530
SL18XC1-024-230	TXV	24000	17	14	CH35-36A	EL180UH045XE36A	8110531
SL18XC1-024-230	TXV	24000	17.5	14	CH35-36A	SL280UH070V36A	8110528
SL18XC1-024-230	TXV	24000	17.5	14	CH35-36A	SL280UH070XV36A	8110529
SL18XC1-024-230	TXV	24000	15.1	12.5	CH35-36A		8110532
SL18XC1-024-230	TXV	24000	17.5	14	CH35-36B	EL180UH070E36B	8110534
SL18XC1-024-230	TXV	24000	17.5	14	CH35-36B	EL180UH070XE36B	8110535
SL18XC1-024-230	TXV	24000	17.5	14	CH35-36B	EL195UH030XE24B	8593911
SL18XC1-024-230	TXV	24000	17.5	14	CH35-36B	EL195UH045XE24B	8593912
SL18XC1-024-230	TXV	24000	17.5	14	CH35-36B	EL195UH070XE36B	8110539
SL18XC1-024-230	TXV	24000	17.5	14	CH35-36B	EL296UH045XV36B	8110538
SL18XC1-024-230	TXV	24000	17.5	14	CH35-36B	EL296UH070XE36B	8110540
SL18XC1-024-230	TXV	24000	17.5	14	CH35-36B	EL296UH070XV36B	8110536
SL18XC1-024-230	TXV	24000	17.5	14	CH35-36B	SL280UH090V36B	8110533
SL18XC1-024-230	TXV	24000	17	14	CH35-36B	SL280UH090V48B	8110541

NOTES:

TXV = Matched with Thermostatic Expansion Valve.

RFC = Matched with RFC metering device.

Ratings are AHRI Certified to AHRI Standard 210/240 (with 25 ft. of connecting refrigerant lines); 95°F outdoor air temperature, 80°F db / 67°F wb entering evaporator air.

All ratings include the use of a blower time delay relay (TDR). All Lennox variable-speed furnaces and Air Handlers have time delay capabilities. Other Furnaces and Air Handlers may require an optional time delay relay (**58M81**) for field installation. See furnace or air handler specifications to determine if relay is needed.

Also see Expansion Valve Kit Usage Table.

AHRI SYSTEM MATCHES

NOTE - For the latest up-to-date system matches please visit the AHRI web site at <http://www.ahridirectory.org>

Model No.	Expansion Device	Capacity	SEER	EER	Coil or Air Handler	Furnace	AHRI Reference
SL18XC1-024-230	TXV	24000	17.5	14	CH35-36B	SLP98UH070XV36B	8110537
SL18XC1-024-230	TXV	24000	15.1	12.5	CH35-36B		8110542
SL18XC1-024-230	TXV	24000	18	15	CH35-36C	EL296UH090XV36C	8110543
SL18XC1-024-230	TXV	24000	18	15	CH35-36C	SLP98UH090XV36C	8110544
SL18XC1-024-230	TXV	24000	15.5	12.5	CH35-36C		8110545
SL18XC1-024-230	TXV	23400	16	13	CR33-24	EL180DF045E36A	8110547
SL18XC1-024-230	TXV	22400	16	13	CR33-24	EL180DF070E36B	8110552
SL18XC1-024-230	TXV	22400	15.5	12.5	CR33-24	EL195DF045XE36B	8110553
SL18XC1-024-230	TXV	22400	15.5	12.5	CR33-24	EL195DF070XE48B	8110554
SL18XC1-024-230	TXV	22800	16	13	CR33-24	EL296DF045XE36B	8110550
SL18XC1-024-230	TXV	23200	16	13	CR33-24	EL296DF045XV36B	8110551
SL18XC1-024-230	TXV	23000	16	13	CR33-24	EL296DF070XE48B	8110549
SL18XC1-024-230	TXV	22800	16.5	13	CR33-24	SLP98DF070XV36B	8110548
SL18XC1-024-230	TXV	22800	14.5	12.2	CR33-24		8110546
SL18XC1-024-230	TXV	24000	17.5	14	CR33-30/36	EL180DF045E36A	8110557
SL18XC1-024-230	TXV	24000	17.5	14	CR33-30/36	EL180DF070E36B	8110561
SL18XC1-024-230	TXV	24000	17.5	14	CR33-30/36	EL195DF045XE36B	8110565
SL18XC1-024-230	TXV	24000	17.5	14	CR33-30/36	EL195DF070XE48B	8110563
SL18XC1-024-230	TXV	24000	17.5	14	CR33-30/36	EL296DF045XE36B	8110562
SL18XC1-024-230	TXV	24000	17.5	14	CR33-30/36	EL296DF045XV36B	8110560
SL18XC1-024-230	TXV	24000	17.5	15	CR33-30/36	EL296DF070XE48B	8110559
SL18XC1-024-230	TXV	24000	17.5	14	CR33-30/36	EL296DF070XV48B	8110564
SL18XC1-024-230	TXV	24000	17.5	14	CR33-30/36	SL280DF070V36A	8110556
SL18XC1-024-230	TXV	24000	18	15	CR33-30/36	SLP98DF070XV36B	8110558
SL18XC1-024-230	TXV	24000	18	15	CR33-30/36	SLP98DF090XV36C	8110566
SL18XC1-024-230	TXV	24000	15.5	12.5	CR33-30/36		8110555
SL18XC1-024-230	TXV	23600	16.5	13	CX35-18/24A	EL180UH045E36A	8551304
SL18XC1-024-230	TXV	23600	16.5	13	CX35-18/24A	EL180UH045XE36A	8551305
SL18XC1-024-230	TXV	23800	17	13.5	CX35-18/24A	SL280UH070V36A	8551306
SL18XC1-024-230	TXV	23800	17	13.5	CX35-18/24A	SL280UH070XV36A	8551307
SL18XC1-024-230	TXV	23600	16.5	13.5	CX35-18/24B	EL195UH030XE24B	8593925
SL18XC1-024-230	TXV	23600	16.5	13.5	CX35-18/24B	EL195UH045XE24B	8593926
SL18XC1-024-230	TXV	23800	16.5	13.5	CX35-18/24B	EL296UH045XV36B	8551303
SL18XC1-024-230	TXV	23800	17	14	CX35-18/24B	EL296UH070XV36B	8551311
SL18XC1-024-230	TXV	23600	17	14	CX35-18/24B	SL280UH090V36B	8551308
SL18XC1-024-230	TXV	23800	17	14	CX35-18/24B	SLP98UH070XV36B	8551309
SL18XC1-024-230	TXV	23200	15	12.5	CX35-18/24B		8551302
SL18XC1-024-230	TXV	24000	17.5	14	CX35-24A	EL180UH045E36A	8551313
SL18XC1-024-230	TXV	24000	16.5	13	CX35-24A	EL180UH045XE36A	8551314
SL18XC1-024-230	TXV	24000	17.5	14	CX35-24A	SL280UH070V36A	8551316
SL18XC1-024-230	TXV	24000	15.5	12.5	CX35-24A	SL280UH070XV36A	8551317
SL18XC1-024-230	TXV	24000	17	14	CX35-24B	CBWMV-36B-070	8551332
SL18XC1-024-230	TXV	24000	18	15	CX35-24B	EL180UH070E36B	8551323
SL18XC1-024-230	TXV	24000	17.5	14	CX35-24B	EL180UH070XE36B	8551324
SL18XC1-024-230	TXV	24000	17.5	14	CX35-24B	EL195UH030XE24B	8593927
SL18XC1-024-230	TXV	24000	17.5	14	CX35-24B	EL195UH045XE24B	8593928
SL18XC1-024-230	TXV	24000	17.5	14	CX35-24B	EL195UH070XE36B	8551321
SL18XC1-024-230	TXV	24000	16.5	13.5	CX35-24B	EL296UH045XV36B	8551322
SL18XC1-024-230	TXV	24000	16.5	13	CX35-24B	EL296UH070XE36B	8551329

NOTES:

TXV = Matched with Thermostatic Expansion Valve.

RFC = Matched with RFC metering device.

Ratings are AHRI Certified to AHRI Standard 210/240 (with 25 ft. of connecting refrigerant lines); 95°F outdoor air temperature, 80°F db / 67°F wb entering evaporator air.

All ratings include the use of a blower time delay relay (TDR). All Lennox variable-speed furnaces and Air Handlers have time delay capabilities. Other Furnaces and Air Handlers may require an optional time delay relay (**58M81**) for field installation. See furnace or air handler specifications to determine if relay is needed.

Also see Expansion Valve Kit Usage Table.

AHRI SYSTEM MATCHES

NOTE - For the latest up-to-date system matches please visit the AHRI web site at <http://www.ahridirectory.org>

Model No.	Expansion Device	Capacity	SEER	EER	Coil or Air Handler	Furnace	AHRI Reference
SL18XC1-024-230	TXV	24000	17.5	14	CX35-24B	EL296UH070XV36B	8551328
SL18XC1-024-230	TXV	24000	17.5	14	CX35-24B	SL280UH090V36B	8551326
SL18XC1-024-230	TXV	24000	17.5	14	CX35-24B	SL280UH090V48B	8551334
SL18XC1-024-230	TXV	24000	17	14	CX35-24B	SLP98UH070XV36B	8551327
SL18XC1-024-230	TXV	24000	15.5	12.5	CX35-24B		8552480
SL18XC1-024-230	TXV	24000	18	15	CX35-30/36A	EL180UH045E36A	8551339
SL18XC1-024-230	TXV	24000	18	15	CX35-30/36A	EL180UH045XE36A	8551340
SL18XC1-024-230	TXV	24000	18	15	CX35-30/36A	SL280UH070V36A	8551341
SL18XC1-024-230	TXV	24000	18	15	CX35-30/36A	SL280UH070XV36A	8551342
SL18XC1-024-230	TXV	24000	17.5	14.5	CX35-30/36B	EL180UH070E36B	8551345
SL18XC1-024-230	TXV	24000	17.5	14.5	CX35-30/36B	EL180UH070XE36B	8551346
SL18XC1-024-230	TXV	24000	17.5	14	CX35-30/36B	EL195UH030XE24B	8593929
SL18XC1-024-230	TXV	24000	17.5	14	CX35-30/36B	EL195UH045XE24B	8593930
SL18XC1-024-230	TXV	24000	17	14	CX35-30/36B	EL195UH070XE36B	8551343
SL18XC1-024-230	TXV	24000	18	15	CX35-30/36B	EL296UH045XV36B	8551344
SL18XC1-024-230	TXV	24000	17.5	14	CX35-30/36B	EL296UH070XE36B	8551348
SL18XC1-024-230	TXV	24000	18	15	CX35-30/36B	SL280UH090V36B	8551347
SL18XC1-024-230	TXV	24000	17	14	CX35-30/36B	SL280UH090V48B	8551349
SL18XC1-024-230	TXV	24000	15.1	12.5	CX35-30/36B		8552481
SL18XC1-024-230	TXV	24000	17.5	14	CX35-30A	EL180UH045E36A	8551354
SL18XC1-024-230	TXV	24000	15.1	12.5	CX35-30A	EL180UH045XE36A	8551355
SL18XC1-024-230	TXV	24000	17.5	14	CX35-30A	SL280UH070V36A	8551356
SL18XC1-024-230	TXV	24000	17.5	14	CX35-30A	SL280UH070XV36A	8551357
SL18XC1-024-230	TXV	24000	16.5	13.5	CX35-30B	EL180UH070E36B	8551360
SL18XC1-024-230	TXV	24000	17.5	14	CX35-30B	EL180UH070XE36B	8551361
SL18XC1-024-230	TXV	24000	17.5	14.5	CX35-30B	EL195UH030XE24B	8593931
SL18XC1-024-230	TXV	24000	17.5	14.5	CX35-30B	EL195UH045XE24B	8593932
SL18XC1-024-230	TXV	24000	17.5	14	CX35-30B	EL195UH070XE36B	8551358
SL18XC1-024-230	TXV	24000	17.5	14	CX35-30B	EL296UH045XV36B	8551359
SL18XC1-024-230	TXV	24000	17	14	CX35-30B	EL296UH070XE36B	8551365
SL18XC1-024-230	TXV	24000	16.5	13.5	CX35-30B	EL296UH070XV36B	8551364
SL18XC1-024-230	TXV	24000	17.5	14	CX35-30B	SL280UH090V36B	8551362
SL18XC1-024-230	TXV	24000	17.5	14	CX35-30B	SL280UH090V48B	8551366
SL18XC1-024-230	TXV	24000	17	14	CX35-30B	SLO185B79/105V42	9114302
SL18XC1-024-230	TXV	24000	17	14	CX35-30B	SLP98UH070XV36B	8551363
SL18XC1-024-230	TXV	24000	15.5	12.5	CX35-30B		8552482
SL18XC1-024-230	TXV	24000	18	15	CX35-36A	EL180UH045E36A	8551372
SL18XC1-024-230	TXV	24000	18	15	CX35-36A	EL180UH045XE36A	8551373
SL18XC1-024-230	TXV	24000	18	15	CX35-36A	SL280UH070V36A	8551374
SL18XC1-024-230	TXV	24000	18	15	CX35-36A	SL280UH070XV36A	8551375
SL18XC1-024-230	TXV	24000	18	15	CX35-36B	EL180UH070E36B	8551377
SL18XC1-024-230	TXV	24000	18	15	CX35-36B	EL180UH070XE36B	8551378
SL18XC1-024-230	TXV	24000	18	14.5	CX35-36B	EL195UH030XE24B	8593933
SL18XC1-024-230	TXV	24000	18	14.5	CX35-36B	EL195UH045XE24B	8593934
SL18XC1-024-230	TXV	24000	18	15	CX35-36B	EL195UH070XE36B	8551376
SL18XC1-024-230	TXV	24000	18	15	CX35-36B	EL296UH045XV36B	8552483
SL18XC1-024-230	TXV	24000	17.5	14	CX35-36B	EL296UH070XE36B	8551382
SL18XC1-024-230	TXV	24000	17	14	CX35-36B	EL296UH070XV36B	8551381
SL18XC1-024-230	TXV	24000	18	15	CX35-36B	SL280UH090V36B	8551379

NOTES:

TXV = Matched with Thermostatic Expansion Valve.

RFC = Matched with RFC metering device.

Ratings are AHRI Certified to AHRI Standard 210/240 (with 25 ft. of connecting refrigerant lines); 95°F outdoor air temperature, 80°F db / 67°F wb entering evaporator air.

All ratings include the use of a blower time delay relay (TDR). All Lennox variable-speed furnaces and Air Handlers have time delay capabilities. Other Furnaces and Air Handlers may require an optional time delay relay (**58M81**) for field installation. See furnace or air handler specifications to determine if relay is needed.

Also see Expansion Valve Kit Usage Table.

AHRI SYSTEM MATCHES

NOTE - For the latest up-to-date system matches please visit the AHRI web site at <http://www.ahridirectory.org>

Model No.	Expansion Device	Capacity	SEER	EER	Coil or Air Handler	Furnace	AHRI Reference
SL18XC1-024-230	TXV	24000	17.5	14	CX35-36B	SL280UH090V48B	8551383
SL18XC1-024-230	TXV	24000	17.5	14	CX35-36B	SLP98UH070XV36B	8551380
SL18XC1-024-230	TXV	24000	15.5	12.5	CX35-36B		8551367
SL18XC1-024-230	TXV	24000	15.5	12.5	CX38-31B		10554348
SL18XC1-030-230	TXV	28200	16	13	C35-24A	EL180UH045E36A	8551385
SL18XC1-030-230	TXV	28200	16	13	C35-24A	EL180UH045XE36A	8551386
SL18XC1-030-230	TXV	28200	16	13	C35-24A	SL280UH070V36A	8551387
SL18XC1-030-230	TXV	28200	16	13	C35-24A	SL280UH070XV36A	8551388
SL18XC1-030-230	TXV	27800	14.5	12.5	C35-24A		8551384
SL18XC1-030-230	TXV	28200	16.5	13.5	C35-24B	EL180UH070E36B	8551389
SL18XC1-030-230	TXV	28200	16.5	13.5	C35-24B	EL180UH070XE36B	8551390
SL18XC1-030-230	TXV	28200	16.5	13.5	C35-24B	EL180UH090E48B	8551391
SL18XC1-030-230	TXV	28200	16.5	13.5	C35-24B	EL180UH090XE48B	8551392
SL18XC1-030-230	TXV	28200	15.5	12.5	C35-24B	EL195UH070XE36B	8551393
SL18XC1-030-230	TXV	28400	16	13	C35-24B	EL296UH070XE36B	8551394
SL18XC1-030-230	TXV	28000	16	13	C35-24B	EL296UH070XV36B	8551395
SL18XC1-030-230	TXV	28400	16.5	13.5	C35-24B	SL280UH090V36B	8551396
SL18XC1-030-230	TXV	28400	16	13.5	C35-24B	SL280UH090V48B	8551397
SL18XC1-030-230	TXV	28200	16	13.5	C35-24B	SLP98UH070XV36B	8551398
SL18XC1-030-230	TXV	28000	16	13	C35-30/36A	EL180UH045E36A	8551419
SL18XC1-030-230	TXV	28000	16	13	C35-30/36A	EL180UH045XE36A	8551420
SL18XC1-030-230	TXV	28200	16.5	13.5	C35-30/36A	SL280UH070V36A	8551421
SL18XC1-030-230	TXV	28200	16.5	13.5	C35-30/36A	SL280UH070XV36A	8551422
SL18XC1-030-230	TXV	28400	16.5	14	C35-30/36B	EL180UH070E36B	8551423
SL18XC1-030-230	TXV	28400	16.5	14	C35-30/36B	EL180UH070XE36B	8551424
SL18XC1-030-230	TXV	28400	16.5	14	C35-30/36B	EL180UH090E48B	8551425
SL18XC1-030-230	TXV	28400	16.5	14	C35-30/36B	EL180UH090XE48B	8551426
SL18XC1-030-230	TXV	28200	16	13	C35-30/36B	EL195UH045XE36B	8551427
SL18XC1-030-230	TXV	28000	15.5	12.5	C35-30/36B	EL195UH070XE36B	8551428
SL18XC1-030-230	TXV	28200	16	13	C35-30/36B	EL296UH045XE36B	8551429
SL18XC1-030-230	TXV	28000	15.5	12.5	C35-30/36B	EL296UH070XE36B	8551430
SL18XC1-030-230	TXV	28000	16	13.5	C35-30/36B	EL296UH070XV36B	8551436
SL18XC1-030-230	TXV	28200	16.5	14	C35-30/36B	SL280UH090V36B	8551431
SL18XC1-030-230	TXV	28400	16.5	14	C35-30/36B	SL280UH090V48B	8551432
SL18XC1-030-230	TXV	28000	16	13.5	C35-30/36B	SLP98UH070XV36B	8551433
SL18XC1-030-230	TXV	27800	14.5	12.5	C35-30/36B		8551418
SL18XC1-030-230	TXV	28000	16.5	14	C35-30/36C	EL296UH090XV36C	8551437
SL18XC1-030-230	TXV	28400	16.5	14	C35-30/36C	SLP98UH090XV36C	8551434
SL18XC1-030-230	TXV	28000	16.5	14	C35-30/36C	SLP98UH090XV48C	8551435
SL18XC1-030-230	TXV	28800	16.5	14	C35-30A	EL180UH045E36A	8551400
SL18XC1-030-230	TXV	28800	16.5	14	C35-30A	EL180UH045XE36A	8551401
SL18XC1-030-230	TXV	29000	17	14	C35-30A	SL280UH070V36A	8551402
SL18XC1-030-230	TXV	29000	17	14	C35-30A	SL280UH070XV36A	8551403
SL18XC1-030-230	TXV	28800	16.5	14	C35-30B	CBWMV-36B-070	8551404
SL18XC1-030-230	TXV	29000	17	14	C35-30B	EL180UH070E36B	8551405
SL18XC1-030-230	TXV	29000	17	14	C35-30B	EL180UH070XE36B	8551406
SL18XC1-030-230	TXV	29000	17	14	C35-30B	EL180UH090E48B	8551407
SL18XC1-030-230	TXV	29000	17	14	C35-30B	EL180UH090XE48B	8551408
SL18XC1-030-230	TXV	28800	16.5	13.5	C35-30B	EL195UH045XE36B	8551409

NOTES:

TXV = Matched with Thermostatic Expansion Valve.

RFC = Matched with RFC metering device.

Ratings are AHRI Certified to AHRI Standard 210/240 (with 25 ft. of connecting refrigerant lines); 95°F outdoor air temperature, 80°F db / 67°F wb entering evaporator air.

All ratings include the use of a blower time delay relay (TDR). All Lennox variable-speed furnaces and Air Handlers have time delay capabilities. Other Furnaces and Air Handlers may require an optional time delay relay (**58M81**) for field installation. See furnace or air handler specifications to determine if relay is needed.

Also see Expansion Valve Kit Usage Table.

AHRI SYSTEM MATCHES

NOTE - For the latest up-to-date system matches please visit the AHRI web site at <http://www.ahridirectory.org>

Model No.	Expansion Device	Capacity	SEER	EER	Coil or Air Handler	Furnace	AHRI Reference
SL18XC1-030-230	TXV	29000	16.5	14	C35-30B	EL195UH070XE36B	8551410
SL18XC1-030-230	TXV	28800	16.5	13.5	C35-30B	EL296UH045XE36B	8551411
SL18XC1-030-230	TXV	28600	16.5	14	C35-30B	EL296UH070XV36B	8551412
SL18XC1-030-230	TXV	29000	17	14	C35-30B	SL280UH090V36B	8551414
SL18XC1-030-230	TXV	29000	17	14	C35-30B	SL280UH090V48B	8551415
SL18XC1-030-230	TXV	28600	16.5	14	C35-30B	SLP98UH070XV36B	8551417
SL18XC1-030-230	TXV	28400	15	12.5	C35-30B		8551399
SL18XC1-030-230	TXV	29000	16.5	14	C35-36A	EL180UH045E36A	8551439
SL18XC1-030-230	TXV	29000	16.5	14	C35-36A	EL180UH045XE36A	8551440
SL18XC1-030-230	TXV	29200	17	14	C35-36A	SL280UH070V36A	8551441
SL18XC1-030-230	TXV	29200	17	14	C35-36A	SL280UH070XV36A	8551442
SL18XC1-030-230	TXV	28600	15.1	12.5	C35-36A		8551438
SL18XC1-030-230	TXV	29200	17	14	C35-36B	EL180UH070E36B	8551443
SL18XC1-030-230	TXV	29200	17	14	C35-36B	EL180UH070XE36B	8551444
SL18XC1-030-230	TXV	29200	17	14	C35-36B	EL180UH090E48B	8551445
SL18XC1-030-230	TXV	29200	17	14	C35-36B	EL180UH090XE48B	8551446
SL18XC1-030-230	TXV	29200	16.5	14	C35-36B	EL195UH045XE36B	8551447
SL18XC1-030-230	TXV	29400	16.5	14	C35-36B	EL195UH070XE36B	8551448
SL18XC1-030-230	TXV	29200	16.5	14	C35-36B	EL296UH045XE36B	8551449
SL18XC1-030-230	TXV	29400	16.5	14	C35-36B	EL296UH070XE36B	8551450
SL18XC1-030-230	TXV	29000	17	14	C35-36B	EL296UH070XV36B	8551451
SL18XC1-030-230	TXV	29200	17	14	C35-36B	SL280UH090V36B	8551453
SL18XC1-030-230	TXV	29400	17	14	C35-36B	SL280UH090V48B	8551454
SL18XC1-030-230	TXV	29200	16	13.5	C35-36B	SLO185B79/105V42	9150395
SL18XC1-030-230	TXV	29000	17	14	C35-36B	SLP98UH070XV36B	8551456
SL18XC1-030-230	TXV	29400	17	14	C35-48B	EL180UH070E36B	8551458
SL18XC1-030-230	TXV	29400	17	14	C35-48B	EL180UH070XE36B	8551459
SL18XC1-030-230	TXV	29400	17	14	C35-48B	EL180UH090E48B	8551460
SL18XC1-030-230	TXV	29400	17	14	C35-48B	EL180UH090XE48B	8551461
SL18XC1-030-230	TXV	29200	16.5	14	C35-48B	EL195UH045XE36B	8551462
SL18XC1-030-230	TXV	29400	16.5	14	C35-48B	EL195UH070XE36B	8551463
SL18XC1-030-230	TXV	29200	16.5	14	C35-48B	EL296UH045XE36B	8551464
SL18XC1-030-230	TXV	29400	16.5	14	C35-48B	EL296UH070XE36B	8551465
SL18XC1-030-230	TXV	29000	17	14	C35-48B	EL296UH070XV36B	8551466
SL18XC1-030-230	TXV	29200	17	14	C35-48B	SL280UH090V36B	8551469
SL18XC1-030-230	TXV	29400	17	14	C35-48B	SL280UH090V48B	8551470
SL18XC1-030-230	TXV	29000	17	14	C35-48B	SLP98UH070XV36B	8551473
SL18XC1-030-230	TXV	29200	17.5	14	C35-48C	EL296UH090XV36C	8551474
SL18XC1-030-230	TXV	29800	17.5	15	C35-48C	EL296UH090XV48C	8551475
SL18XC1-030-230	TXV	29600	17.5	15	C35-48C	SLP98UH090XV36C	8551478
SL18XC1-030-230	TXV	28800	15.1	12.5	C35-48C		8551457
SL18XC1-030-230	TXV	28800	17	14	CBA27UHE-030		10259445
SL18XC1-030-230	TXV	28800	17	14	CBA27UHE-036		10259446
SL18XC1-030-230	TXV	28600	16.5	14	CBX27UH-030		8111896
SL18XC1-030-230	TXV	28800	17	14	CBX27UH-036		8111897
SL18XC1-030-230	TXV	28200	15.5	12.5	CBX32M-030		8111898
SL18XC1-030-230	TXV	28200	15.5	12.5	CBX32M-036		8111899
SL18XC1-030-230	TXV	28600	16.5	14	CBX32MV-024/030		8111900
SL18XC1-030-230	TXV	28800	17	14	CBX32MV-036		8111901

NOTES:

TXV = Matched with Thermostatic Expansion Valve.

RFC = Matched with RFC metering device.

Ratings are AHRI Certified to AHRI Standard 210/240 (with 25 ft. of connecting refrigerant lines); 95°F outdoor air temperature, 80°F db / 67°F wb entering evaporator air.

All ratings include the use of a blower time delay relay (TDR). All Lennox variable-speed furnaces and Air Handlers have time delay capabilities. Other Furnaces and Air Handlers may require an optional time delay relay (**58M81**) for field installation. See furnace or air handler specifications to determine if relay is needed.

Also see Expansion Valve Kit Usage Table.

AHRI SYSTEM MATCHES

NOTE - For the latest up-to-date system matches please visit the AHRI web site at <http://www.ahridirectory.org>

Model No.	Expansion Device	Capacity	SEER	EER	Coil or Air Handler	Furnace	AHRI Reference
SL18XC1-030-230	TXV	28400	17.5	14	CBX40UHV-030		8111902
SL18XC1-030-230	TXV	28800	17	14	CBX40UHV-036		8111903
SL18XC1-030-230	TXV	26600	15.5	12.5	CH23-31	EL180UH070E36B	8114341
SL18XC1-030-230	TXV	26600	15.5	12.5	CH23-31	EL180UH070XE36B	8114342
SL18XC1-030-230	TXV	26400	15.1	12.5	CH23-31	EL180UH090E48B	8114343
SL18XC1-030-230	TXV	26400	15.1	12.5	CH23-31	EL180UH090XE48B	8114344
SL18XC1-030-230	TXV	26200	14.5	12.5	CH23-31	EL195UH045XE36B	8111904
SL18XC1-030-230	TXV	26200	14.5	12.5	CH23-31	EL195UH070XE36B	8111905
SL18XC1-030-230	TXV	26200	14.5	12.5	CH23-31	EL296UH045XE36B	8111906
SL18XC1-030-230	TXV	26600	15.5	12.5	CH23-31	EL296UH045XV36B	8111907
SL18XC1-030-230	TXV	26200	14.5	12.5	CH23-31	EL296UH070XE36B	8111908
SL18XC1-030-230	TXV	26600	15.5	12.5	CH23-31	EL296UH070XV36B	8111909
SL18XC1-030-230	TXV	26600	15.5	12.5	CH23-31	SLP98UH070XV36B	8111910
SL18XC1-030-230	TXV	28200	16.5	13.5	CH23-41	EL180UH070E36B	8111911
SL18XC1-030-230	TXV	28200	16.5	13.5	CH23-41	EL180UH070XE36B	8111912
SL18XC1-030-230	TXV	28200	16.5	14	CH23-41	EL180UH090E48B	8111913
SL18XC1-030-230	TXV	28200	16.5	14	CH23-41	EL180UH090XE48B	8111914
SL18XC1-030-230	TXV	28200	16	13	CH23-41	EL195UH045XE36B	8111915
SL18XC1-030-230	TXV	28200	16	13	CH23-41	EL195UH070XE36B	8111916
SL18XC1-030-230	TXV	28200	16	13	CH23-41	EL296UH045XE36B	8111917
SL18XC1-030-230	TXV	28200	16.5	13.5	CH23-41	EL296UH045XV36B	8111918
SL18XC1-030-230	TXV	28000	16.5	14	CH23-41	EL296UH070XV36B	8111919
SL18XC1-030-230	TXV	28200	16.5	14	CH23-41	SL280UH070V36A	8111920
SL18XC1-030-230	TXV	28200	16.5	14	CH23-41	SL280UH070XV36A	8111921
SL18XC1-030-230	TXV	28200	17	14	CH23-41	SL280UH090V36B	8111922
SL18XC1-030-230	TXV	28400	16.5	14	CH23-41	SL280UH090V48B	8111923
SL18XC1-030-230	TXV	28000	16.5	14	CH23-41	SLP98UH070XV36B	8111924
SL18XC1-030-230	TXV	27600	14.5	12.5	CH23-41		8111925
SL18XC1-030-230	TXV	28400	16.5	14	CH23-51	EL180UH070E36B	8111926
SL18XC1-030-230	TXV	28400	16.5	14	CH23-51	EL180UH070XE36B	8111927
SL18XC1-030-230	TXV	28400	16.5	14	CH23-51	EL180UH090E48B	8111928
SL18XC1-030-230	TXV	28400	16.5	14	CH23-51	EL180UH090XE48B	8111929
SL18XC1-030-230	TXV	28200	16	13	CH23-51	EL195UH045XE36B	8111930
SL18XC1-030-230	TXV	28400	16	13	CH23-51	EL195UH070XE36B	8111931
SL18XC1-030-230	TXV	28200	16	13	CH23-51	EL296UH045XE36B	8111932
SL18XC1-030-230	TXV	28200	16.5	13.5	CH23-51	EL296UH045XV36B	8111933
SL18XC1-030-230	TXV	28200	16.5	14	CH23-51	EL296UH070XV36B	8111934
SL18XC1-030-230	TXV	28200	17	14	CH23-51	EL296UH090XV36C	8111935
SL18XC1-030-230	TXV	28400	16.5	14	CH23-51	SL280UH070V36A	8111936
SL18XC1-030-230	TXV	28400	16.5	14	CH23-51	SL280UH070XV36A	8111937
SL18XC1-030-230	TXV	28400	17	14	CH23-51	SL280UH090V36B	8111938
SL18XC1-030-230	TXV	28400	16.5	14	CH23-51	SL280UH090V48B	8111939
SL18XC1-030-230	TXV	28200	16.5	14	CH23-51	SLP98UH070XV36B	8111940
SL18XC1-030-230	TXV	28600	17	14	CH23-51	SLP98UH090XV36C	8111941
SL18XC1-030-230	TXV	27800	14.5	12.5	CH23-51		8111942
SL18XC1-030-230	TXV	28000	16	13	CH33-25A	EL180UH045E36A	8111943
SL18XC1-030-230	TXV	28000	16	13	CH33-25A	EL180UH045XE36A	8111944
SL18XC1-030-230	TXV	28400	16	13.5	CH33-25A	SL280UH070V36A	8111945
SL18XC1-030-230	TXV	28400	16	13.5	CH33-25A	SL280UH070XV36A	8111946

NOTES:

TXV = Matched with Thermostatic Expansion Valve.

RFC = Matched with RFC metering device.

Ratings are AHRI Certified to AHRI Standard 210/240 (with 25 ft. of connecting refrigerant lines); 95°F outdoor air temperature, 80°F db / 67°F wb entering evaporator air.

All ratings include the use of a blower time delay relay (TDR). All Lennox variable-speed furnaces and Air Handlers have time delay capabilities. Other Furnaces and Air Handlers may require an optional time delay relay (**58M81**) for field installation. See furnace or air handler specifications to determine if relay is needed.

Also see Expansion Valve Kit Usage Table.

AHRI SYSTEM MATCHES

NOTE - For the latest up-to-date system matches please visit the AHRI web site at <http://www.ahridirectory.org>

Model No.	Expansion Device	Capacity	SEER	EER	Coil or Air Handler	Furnace	AHRI Reference
SL18XC1-030-230	TXV	27800	14.5	12.5	CH33-25A		8111947
SL18XC1-030-230	TXV	28000	16.5	13.5	CH33-25B	EL180UH070E36B	8111948
SL18XC1-030-230	TXV	28000	16.5	13.5	CH33-25B	EL180UH070XE36B	8111949
SL18XC1-030-230	TXV	28000	16	13.5	CH33-25B	EL180UH090E48B	8111950
SL18XC1-030-230	TXV	28000	16	13.5	CH33-25B	EL180UH090XE48B	8111951
SL18XC1-030-230	TXV	28000	16	13	CH33-25B	EL195UH045XE36B	8111952
SL18XC1-030-230	TXV	28000	15.5	12.5	CH33-25B	EL195UH070XE36B	8111953
SL18XC1-030-230	TXV	28000	16	13	CH33-25B	EL296UH045XE36B	8111954
SL18XC1-030-230	TXV	28000	16	13	CH33-25B	EL296UH045XV36B	8111955
SL18XC1-030-230	TXV	28000	15.5	12.5	CH33-25B	EL296UH070XE36B	8111956
SL18XC1-030-230	TXV	28000	16.5	13.5	CH33-25B	EL296UH070XV36B	8111957
SL18XC1-030-230	TXV	28200	16.5	14	CH33-25B	SL280UH090V36B	8111958
SL18XC1-030-230	TXV	28400	16.5	14	CH33-25B	SL280UH090V48B	8111959
SL18XC1-030-230	TXV	28000	16.5	13.5	CH33-25B	SLP98UH070XV36B	8111960
SL18XC1-030-230	TXV	27600	14.5	12.5	CH33-25B		8111961
SL18XC1-030-230	TXV	28600	16	13.5	CH33-31A	EL180UH045E36A	8111962
SL18XC1-030-230	TXV	28600	16	13.5	CH33-31A	EL180UH045XE36A	8111963
SL18XC1-030-230	TXV	28800	16.5	14	CH33-31A	SL280UH070V36A	8111964
SL18XC1-030-230	TXV	28800	16.5	14	CH33-31A	SL280UH070XV36A	8111965
SL18XC1-030-230	TXV	28400	15.1	12.5	CH33-31A		8111966
SL18XC1-030-230	TXV	29200	17	14	CH33-31B	EL180UH070E36B	8111967
SL18XC1-030-230	TXV	29200	17	14	CH33-31B	EL180UH070XE36B	8111968
SL18XC1-030-230	TXV	29200	17	14	CH33-31B	EL180UH090E48B	8111969
SL18XC1-030-230	TXV	29200	17	14	CH33-31B	EL180UH090XE48B	8111970
SL18XC1-030-230	TXV	29000	16.5	14	CH33-31B	EL195UH045XE36B	8111971
SL18XC1-030-230	TXV	29200	16.5	14	CH33-31B	EL195UH070XE36B	8111972
SL18XC1-030-230	TXV	29000	16.5	14	CH33-31B	EL296UH045XE36B	8111973
SL18XC1-030-230	TXV	28800	16.5	14	CH33-31B	EL296UH045XV36B	8111974
SL18XC1-030-230	TXV	29200	16.5	14	CH33-31B	EL296UH070XE36B	8111975
SL18XC1-030-230	TXV	28800	17	14	CH33-31B	EL296UH070XV36B	8111976
SL18XC1-030-230	TXV	29200	17	14	CH33-31B	SL280UH090V36B	8111977
SL18XC1-030-230	TXV	29200	17	14	CH33-31B	SL280UH090V48B	8111978
SL18XC1-030-230	TXV	28800	17	14	CH33-31B	SLP98UH070XV36B	8111979
SL18XC1-030-230	TXV	28600	15.1	12.5	CH33-31B		8111980
SL18XC1-030-230	TXV	27600	15.5	12.5	CH33-36A	EL180UH045E36A	8111981
SL18XC1-030-230	TXV	27600	15.5	12.5	CH33-36A	EL180UH045XE36A	8111982
SL18XC1-030-230	TXV	28000	16	13	CH33-36A	SL280UH070V36A	8111983
SL18XC1-030-230	TXV	28000	16	13	CH33-36A	SL280UH070XV36A	8111984
SL18XC1-030-230	TXV	27600	14.5	12.5	CH33-36A		8111985
SL18XC1-030-230	TXV	28200	16.5	13.5	CH33-36B	EL180UH070E36B	8111986
SL18XC1-030-230	TXV	28200	16.5	13.5	CH33-36B	EL180UH070XE36B	8111987
SL18XC1-030-230	TXV	28200	16.5	14	CH33-36B	EL180UH090E48B	8111988
SL18XC1-030-230	TXV	28200	16.5	14	CH33-36B	EL180UH090XE48B	8111989
SL18XC1-030-230	TXV	28000	16	13	CH33-36B	EL195UH045XE36B	8111990
SL18XC1-030-230	TXV	27800	15.5	12.5	CH33-36B	EL195UH070XE36B	8111991
SL18XC1-030-230	TXV	28000	16	13	CH33-36B	EL296UH045XE36B	8111992
SL18XC1-030-230	TXV	28000	16	13	CH33-36B	EL296UH045XV36B	8111993
SL18XC1-030-230	TXV	27800	15.5	12.5	CH33-36B	EL296UH070XE36B	8111994
SL18XC1-030-230	TXV	28000	16	13.5	CH33-36B	EL296UH070XV36B	8111995

NOTES:

TXV = Matched with Thermostatic Expansion Valve.

RFC = Matched with RFC metering device.

Ratings are AHRI Certified to AHRI Standard 210/240 (with 25 ft. of connecting refrigerant lines); 95°F outdoor air temperature, 80°F db / 67°F wb entering evaporator air.

All ratings include the use of a blower time delay relay (TDR). All Lennox variable-speed furnaces and Air Handlers have time delay capabilities. Other Furnaces and Air Handlers may require an optional time delay relay (**58M81**) for field installation. See furnace or air handler specifications to determine if relay is needed.

Also see Expansion Valve Kit Usage Table.

AHRI SYSTEM MATCHES

NOTE - For the latest up-to-date system matches please visit the AHRI web site at <http://www.ahridirectory.org>

Model No.	Expansion Device	Capacity	SEER	EER	Coil or Air Handler	Furnace	AHRI Reference
SL18XC1-030-230	TXV	28200	16.5	14	CH33-36B	SL280UH090V36B	8111996
SL18XC1-030-230	TXV	28200	16.5	13.5	CH33-36B	SL280UH090V48B	8111997
SL18XC1-030-230	TXV	28000	16	13.5	CH33-36B	SLP98UH070XV36B	8111998
SL18XC1-030-230	TXV	27600	14.5	12.5	CH33-36B		8111999
SL18XC1-030-230	TXV	28400	16.5	14	CH33-36C	EL296UH090XV36C	8112000
SL18XC1-030-230	TXV	28600	16.5	14	CH33-36C	SLP98UH090XV36C	8112001
SL18XC1-030-230	TXV	28000	14.5	12.5	CH33-36C		8112002
SL18XC1-030-230	TXV	28800	17	14	CH33-42	EL180UH070E36B	8112003
SL18XC1-030-230	TXV	28800	17	14	CH33-42	EL180UH070XE36B	8112004
SL18XC1-030-230	TXV	28800	17	14	CH33-42	EL180UH090E48B	8112005
SL18XC1-030-230	TXV	28800	17	14	CH33-42	EL180UH090XE48B	8112006
SL18XC1-030-230	TXV	28600	16.5	13.5	CH33-42	EL195UH045XE36B	8112007
SL18XC1-030-230	TXV	29000	16.5	14	CH33-42	EL195UH070XE36B	8112008
SL18XC1-030-230	TXV	28600	16.5	13.5	CH33-42	EL296UH045XE36B	8112009
SL18XC1-030-230	TXV	28600	16.5	13.5	CH33-42	EL296UH045XV36B	8112010
SL18XC1-030-230	TXV	28600	16.5	14	CH33-42	EL296UH070XV36B	8112011
SL18XC1-030-230	TXV	28800	17	14	CH33-42	SL280UH090V36B	8112302
SL18XC1-030-230	TXV	28800	17	14	CH33-42	SL280UH090V48B	8112012
SL18XC1-030-230	TXV	28600	16.5	14	CH33-42	SLP98UH070XV36B	8112013
SL18XC1-030-230	TXV	28200	15	12.5	CH33-42		8112014
SL18XC1-030-230	TXV	29600	17	14	CH33-43	EL180UH070E36B	8112015
SL18XC1-030-230	TXV	29600	17	14	CH33-43	EL180UH070XE36B	8112016
SL18XC1-030-230	TXV	29400	17	14	CH33-43	EL180UH090E48B	8112017
SL18XC1-030-230	TXV	29400	17	14	CH33-43	EL180UH090XE48B	8112018
SL18XC1-030-230	TXV	29400	16.5	14	CH33-43	EL195UH045XE36B	8112019
SL18XC1-030-230	TXV	29600	16.5	14	CH33-43	EL195UH070XE36B	8112020
SL18XC1-030-230	TXV	29200	17	14	CH33-43	EL195UH090XE48C	8112029
SL18XC1-030-230	TXV	29400	16.5	14	CH33-43	EL296UH045XE36B	8112021
SL18XC1-030-230	TXV	29400	17	14	CH33-43	EL296UH045XV36B	8112022
SL18XC1-030-230	TXV	29600	16.5	14	CH33-43	EL296UH070XE36B	8112023
SL18XC1-030-230	TXV	29400	17	14	CH33-43	EL296UH070XV36B	8112024
SL18XC1-030-230	TXV	29200	17	14	CH33-43	EL296UH090XE48C	8112030
SL18XC1-030-230	TXV	29200	17.5	14	CH33-43	EL296UH090XV36C	8112031
SL18XC1-030-230	TXV	29600	17.5	14	CH33-43	SL280UH090V36B	8112025
SL18XC1-030-230	TXV	29800	17.5	14	CH33-43	SL280UH090V48B	8112026
SL18XC1-030-230	TXV	29400	17	14	CH33-43	SLP98UH070XV36B	8112027
SL18XC1-030-230	TXV	29600	17.5	15	CH33-43	SLP98UH090XV36C	8112032
SL18XC1-030-230	TXV	29200	15.5	12.5	CH33-43B		8112028
SL18XC1-030-230	TXV	28800	15.1	12.5	CH33-43C		8112033
SL18XC1-030-230	TXV	28800	16.5	14	CH33-44/48	EL296UH045XV36B	8112034
SL18XC1-030-230	TXV	28600	15.1	12.5	CH33-44/48		8112035
SL18XC1-030-230	TXV	28000	16	13	CH35-24A	EL180UH045E36A	8112036
SL18XC1-030-230	TXV	28000	16	13	CH35-24A	EL180UH045XE36A	8112037
SL18XC1-030-230	TXV	28400	16.5	13.5	CH35-24A	SL280UH070V36A	8112038
SL18XC1-030-230	TXV	28400	16.5	13.5	CH35-24A	SL280UH070XV36A	8112039
SL18XC1-030-230	TXV	28000	14.5	12.5	CH35-24A		8112040
SL18XC1-030-230	TXV	28200	16.5	13.5	CH35-24B	EL180UH070E36B	8112041
SL18XC1-030-230	TXV	28400	16.5	14	CH35-24B	EL180UH070XE36B	8112042
SL18XC1-030-230	TXV	28000	16.5	13.5	CH35-24B	EL180UH090E48B	8112043

NOTES:

TXV = Matched with Thermostatic Expansion Valve.

RFC = Matched with RFC metering device.

Ratings are AHRI Certified to AHRI Standard 210/240 (with 25 ft. of connecting refrigerant lines); 95°F outdoor air temperature, 80°F db / 67°F wb entering evaporator air.

All ratings include the use of a blower time delay relay (TDR). All Lennox variable-speed furnaces and Air Handlers have time delay capabilities. Other Furnaces and Air Handlers may require an optional time delay relay (**58M81**) for field installation. See furnace or air handler specifications to determine if relay is needed.

Also see Expansion Valve Kit Usage Table.

AHRI SYSTEM MATCHES

NOTE - For the latest up-to-date system matches please visit the AHRI web site at <http://www.ahridirectory.org>

Model No.	Expansion Device	Capacity	SEER	EER	Coil or Air Handler	Furnace	AHRI Reference
SL18XC1-030-230	TXV	28000	16.5	13.5	CH35-24B	EL180UH090XE48B	8112044
SL18XC1-030-230	TXV	28000	16	13	CH35-24B	EL195UH045XE36B	8112045
SL18XC1-030-230	TXV	28200	15.5	12.5	CH35-24B	EL195UH070XE36B	8112046
SL18XC1-030-230	TXV	28000	16	13	CH35-24B	EL296UH045XE36B	8112048
SL18XC1-030-230	TXV	28200	16	13	CH35-24B	EL296UH045XV36B	8112047
SL18XC1-030-230	TXV	28200	15.5	12.5	CH35-24B	EL296UH070XE36B	8112049
SL18XC1-030-230	TXV	28000	16.5	13.5	CH35-24B	EL296UH070XV36B	8112050
SL18XC1-030-230	TXV	28400	16.5	14	CH35-24B	SL280UH090V36B	8112051
SL18XC1-030-230	TXV	28400	16.5	14	CH35-24B	SL280UH090V48B	8112053
SL18XC1-030-230	TXV	28400	16.5	14	CH35-24B	SL280UH090XV48B	8112054
SL18XC1-030-230	TXV	28200	16.5	13.5	CH35-24B	SLP98UH070XV36B	8112055
SL18XC1-030-230	TXV	27800	14.5	12.5	CH35-24B		8112056
SL18XC1-030-230	TXV	28600	16	13.5	CH35-30A	EL180UH045E36A	8112057
SL18XC1-030-230	TXV	28600	16	13.5	CH35-30A	EL180UH045XE36A	8112058
SL18XC1-030-230	TXV	29000	16.5	14	CH35-30A	SL280UH070V36A	8112059
SL18XC1-030-230	TXV	29000	16.5	14	CH35-30A	SL280UH070XV36A	8112060
SL18XC1-030-230	TXV	28600	15.1	12.5	CH35-30A		8112061
SL18XC1-030-230	TXV	29200	17	14	CH35-30B	EL180UH070E36B	8112062
SL18XC1-030-230	TXV	29200	17	14	CH35-30B	EL180UH070XE36B	8112063
SL18XC1-030-230	TXV	29200	17	14	CH35-30B	EL180UH090E48B	8112064
SL18XC1-030-230	TXV	29200	17	14	CH35-30B	EL180UH090XE48B	8112065
SL18XC1-030-230	TXV	29200	16.5	14	CH35-30B	EL195UH045XE36B	8112066
SL18XC1-030-230	TXV	29400	16.5	14	CH35-30B	EL195UH070XE36B	8112067
SL18XC1-030-230	TXV	29200	16.5	14	CH35-30B	EL296UH045XE36B	8112069
SL18XC1-030-230	TXV	29000	16.5	14	CH35-30B	EL296UH045XV36B	8112068
SL18XC1-030-230	TXV	29400	16.5	14	CH35-30B	EL296UH070XE36B	8112070
SL18XC1-030-230	TXV	29000	17	14	CH35-30B	EL296UH070XV36B	8112071
SL18XC1-030-230	TXV	29200	17	14	CH35-30B	SL280UH090V36B	8112072
SL18XC1-030-230	TXV	29200	17	14	CH35-30B	SL280UH090V48B	8112074
SL18XC1-030-230	TXV	29000	17	14	CH35-30B	SLP98UH070XV36B	8112075
SL18XC1-030-230	TXV	28600	15.1	12.5	CH35-30B		8112076
SL18XC1-030-230	TXV	27800	15.5	12.5	CH35-36A	EL180UH045E36A	8112077
SL18XC1-030-230	TXV	27800	15.5	12.5	CH35-36A	EL180UH045XE36A	8112078
SL18XC1-030-230	TXV	28200	16	13	CH35-36A	SL280UH070V36A	8112079
SL18XC1-030-230	TXV	28200	16	13	CH35-36A	SL280UH070XV36A	8112080
SL18XC1-030-230	TXV	27600	14.5	12.5	CH35-36A		8112081
SL18XC1-030-230	TXV	28400	16.5	14	CH35-36B	EL180UH070E36B	8112082
SL18XC1-030-230	TXV	28400	16.5	14	CH35-36B	EL180UH070XE36B	8112083
SL18XC1-030-230	TXV	28400	16.5	14	CH35-36B	EL180UH090E48B	8112084
SL18XC1-030-230	TXV	28400	16.5	14	CH35-36B	EL180UH090XE48B	8112085
SL18XC1-030-230	TXV	28200	16	13	CH35-36B	EL195UH045XE36B	8112086
SL18XC1-030-230	TXV	28000	15.5	12.5	CH35-36B	EL195UH070XE36B	8112087
SL18XC1-030-230	TXV	28200	16	13	CH35-36B	EL296UH045XE36B	8112089
SL18XC1-030-230	TXV	28000	16	13	CH35-36B	EL296UH045XV36B	8112088
SL18XC1-030-230	TXV	28000	15.5	12.5	CH35-36B	EL296UH070XE36B	8112090
SL18XC1-030-230	TXV	28000	16.5	13.5	CH35-36B	EL296UH070XV36B	8112091
SL18XC1-030-230	TXV	28200	16.5	14	CH35-36B	SL280UH090V36B	8112092
SL18XC1-030-230	TXV	28400	16.5	14	CH35-36B	SL280UH090V48B	8112094
SL18XC1-030-230	TXV	28200	16.5	14	CH35-36B	SLP98UH070XV36B	8112095

NOTES:

TXV = Matched with Thermostatic Expansion Valve.

RFC = Matched with RFC metering device.

Ratings are AHRI Certified to AHRI Standard 210/240 (with 25 ft. of connecting refrigerant lines); 95°F outdoor air temperature, 80°F db / 67°F wb entering evaporator air.

All ratings include the use of a blower time delay relay (TDR). All Lennox variable-speed furnaces and Air Handlers have time delay capabilities. Other Furnaces and Air Handlers may require an optional time delay relay (**58M81**) for field installation. See furnace or air handler specifications to determine if relay is needed.

Also see Expansion Valve Kit Usage Table.

AHRI SYSTEM MATCHES

NOTE - For the latest up-to-date system matches please visit the AHRI web site at <http://www.ahridirectory.org>

Model No.	Expansion Device	Capacity	SEER	EER	Coil or Air Handler	Furnace	AHRI Reference
SL18XC1-030-230	TXV	27800	14.5	12.5	CH35-36B		8112096
SL18XC1-030-230	TXV	28400	16.5	14	CH35-36C	EL296UH090XV36C	8112097
SL18XC1-030-230	TXV	28800	16.5	14	CH35-36C	SLP98UH090XV36C	8112098
SL18XC1-030-230	TXV	28000	14.5	12.5	CH35-36C		8112099
SL18XC1-030-230	TXV	29600	17	14	CH35-42B	EL180UH070E36B	8112100
SL18XC1-030-230	TXV	29600	17	14	CH35-42B	EL180UH070XE36B	8112101
SL18XC1-030-230	TXV	29400	17	14	CH35-42B	EL180UH090E48B	8112102
SL18XC1-030-230	TXV	29400	17	14	CH35-42B	EL180UH090XE48B	8112103
SL18XC1-030-230	TXV	29400	16.5	14	CH35-42B	EL195UH045XE36B	8112104
SL18XC1-030-230	TXV	29800	17	14	CH35-42B	EL195UH070XE36B	8112105
SL18XC1-030-230	TXV	29400	16.5	14	CH35-42B	EL296UH045XE36B	8112107
SL18XC1-030-230	TXV	29400	17	14	CH35-42B	EL296UH045XV36B	8112106
SL18XC1-030-230	TXV	29800	17	14	CH35-42B	EL296UH070XE36B	8112108
SL18XC1-030-230	TXV	29400	17	14	CH35-42B	EL296UH070XV36B	8112109
SL18XC1-030-230	TXV	29800	17.5	15	CH35-42B	SL280UH090V36B	8112110
SL18XC1-030-230	TXV	29800	17.5	14	CH35-42B	SL280UH090V48B	8112112
SL18XC1-030-230	TXV	29400	17	14	CH35-42B	SLP98UH070XV36B	8112113
SL18XC1-030-230	TXV	29200	15.5	12.5	CH35-42B		8112114
SL18XC1-030-230	TXV	29400	17	14	CH35-42C	EL195UH090XE48C	8112115
SL18XC1-030-230	TXV	29400	17	14	CH35-42C	EL296UH090XE48C	8112116
SL18XC1-030-230	TXV	29200	17	14	CH35-42C	EL296UH090XV36C	8112117
SL18XC1-030-230	TXV	29600	17.5	15	CH35-42C	SLP98UH090XV36C	8112118
SL18XC1-030-230	TXV	28800	15.1	12.5	CH35-42C		8112119
SL18XC1-030-230	TXV	29000	16.5	14	CH35-48B	EL296UH045XV36B	8112120
SL18XC1-030-230	TXV	28800	15.1	12.5	CH35-48B		8112121
SL18XC1-030-230	TXV	28400	16.5	14	CR33-30/36	EL180DF070E36B	8112124
SL18XC1-030-230	TXV	28200	16.5	13.5	CR33-30/36	EL180DF090E48B	8112125
SL18XC1-030-230	TXV	28200	16	13	CR33-30/36	EL195DF045XE36B	8112126
SL18XC1-030-230	TXV	28200	16	13	CR33-30/36	EL195DF070XE48B	8112127
SL18XC1-030-230	TXV	28200	16	13	CR33-30/36	EL296DF045XE36B	8112128
SL18XC1-030-230	TXV	28400	16.5	13.5	CR33-30/36	EL296DF045XV36B	8112129
SL18XC1-030-230	TXV	28200	16	13	CR33-30/36	EL296DF070XE48B	8112130
SL18XC1-030-230	TXV	28400	16	13	CR33-30/36	EL296DF070XV48B	8112131
SL18XC1-030-230	TXV	28200	16	13.5	CR33-30/36	SL280DF070V36A	8112123
SL18XC1-030-230	TXV	28400	16.5	14	CR33-30/36	SL280DF090V48B	8112132
SL18XC1-030-230	TXV	28400	16.5	13.5	CR33-30/36	SLP98DF070XV36B	8112133
SL18XC1-030-230	TXV	28600	16.5	14	CR33-30/36	SLP98DF090XV36C	8112134
SL18XC1-030-230	TXV	28400	16.5	14	CR33-30/36	SLP98DF090XV48C	8112135
SL18XC1-030-230	TXV	28000	14.5	12.5	CR33-30/36		8112122
SL18XC1-030-230	TXV	28600	17	13.5	CR33-48	EL180DF070E36B	8112137
SL18XC1-030-230	TXV	28800	17	14	CR33-48	EL180DF090E48B	8112138
SL18XC1-030-230	TXV	28600	16	13	CR33-48	EL195DF045XE36B	8112139
SL18XC1-030-230	TXV	28600	16.5	13.5	CR33-48	EL195DF070XE48B	8112140
SL18XC1-030-230	TXV	28600	16	13	CR33-48	EL296DF045XE36B	8112141
SL18XC1-030-230	TXV	28600	16.5	14	CR33-48	EL296DF045XV36B	8112142
SL18XC1-030-230	TXV	28600	16.5	13.5	CR33-48	EL296DF070XE48B	8112143
SL18XC1-030-230	TXV	28600	16	13.5	CR33-48	EL296DF070XV48B	8112144
SL18XC1-030-230	TXV	28600	16.5	14	CR33-48	SLP98DF070XV36B	8112145
SL18XC1-030-230	TXV	28800	17	14	CR33-48	SLP98DF090XV36C	8112146

NOTES:

TXV = Matched with Thermostatic Expansion Valve.

RFC = Matched with RFC metering device.

Ratings are AHRI Certified to AHRI Standard 210/240 (with 25 ft. of connecting refrigerant lines); 95°F outdoor air temperature, 80°F db / 67°F wb entering evaporator air.

All ratings include the use of a blower time delay relay (TDR). All Lennox variable-speed furnaces and Air Handlers have time delay capabilities. Other Furnaces and Air Handlers may require an optional time delay relay (**58M81**) for field installation. See furnace or air handler specifications to determine if relay is needed.

Also see Expansion Valve Kit Usage Table.

AHRI SYSTEM MATCHES

NOTE - For the latest up-to-date system matches please visit the AHRI web site at <http://www.ahridirectory.org>

Model No.	Expansion Device	Capacity	SEER	EER	Coil or Air Handler	Furnace	AHRI Reference
SL18XC1-030-230	TXV	28800	16.5	14	CR33-48	SLP98DF090XV48C	8112147
SL18XC1-030-230	TXV	28200	15	12.5	CR33-48		8112136
SL18XC1-030-230	TXV	28200	16	13	CX35-24A	EL180UH045E36A	8551480
SL18XC1-030-230	TXV	28200	16	13	CX35-24A	EL180UH045XE36A	8551481
SL18XC1-030-230	TXV	28200	16	13	CX35-24A	SL280UH070V36A	8551482
SL18XC1-030-230	TXV	28200	16	13	CX35-24A	SL280UH070XV36A	8551483
SL18XC1-030-230	TXV	27800	14.5	12.5	CX35-24A		8551479
SL18XC1-030-230	TXV	28200	16.5	13.5	CX35-24B	EL180UH070E36B	8551484
SL18XC1-030-230	TXV	28200	16.5	13.5	CX35-24B	EL180UH070XE36B	8551485
SL18XC1-030-230	TXV	28200	16	13.5	CX35-24B	EL180UH090E48B	8551486
SL18XC1-030-230	TXV	28200	16	13.5	CX35-24B	EL180UH090XE48B	8551487
SL18XC1-030-230	TXV	28200	16	13	CX35-24B	EL195UH045XE36B	8551488
SL18XC1-030-230	TXV	28200	15.5	12.5	CX35-24B	EL195UH070XE36B	8551489
SL18XC1-030-230	TXV	28200	16	13	CX35-24B	EL296UH045XE36B	8551490
SL18XC1-030-230	TXV	28200	16	13	CX35-24B	EL296UH045XV36B	8551491
SL18XC1-030-230	TXV	28200	15.5	12.5	CX35-24B	EL296UH070XE36B	8551492
SL18XC1-030-230	TXV	28000	16	13	CX35-24B	EL296UH070XV36B	8551493
SL18XC1-030-230	TXV	28400	16.5	13.5	CX35-24B	SL280UH090V36B	8551494
SL18XC1-030-230	TXV	28400	16	13.5	CX35-24B	SL280UH090V48B	8551495
SL18XC1-030-230	TXV	28200	16	13.5	CX35-24B	SLP98UH070XV36B	8551496
SL18XC1-030-230	TXV	28000	16	13	CX35-30/36A	EL180UH045E36A	8551518
SL18XC1-030-230	TXV	28000	16	13	CX35-30/36A	EL180UH045XE36A	8551519
SL18XC1-030-230	TXV	28200	16.5	13.5	CX35-30/36A	SL280UH070V36A	8551520
SL18XC1-030-230	TXV	28200	16.5	13.5	CX35-30/36A	SL280UH070XV36A	8551521
SL18XC1-030-230	TXV	27800	14.5	12.5	CX35-30/36A		8551517
SL18XC1-030-230	TXV	28400	16.5	14	CX35-30/36B	EL180UH070E36B	8551522
SL18XC1-030-230	TXV	28400	16.5	14	CX35-30/36B	EL180UH070XE36B	8551523
SL18XC1-030-230	TXV	28400	16.5	14	CX35-30/36B	EL180UH090E48B	8551524
SL18XC1-030-230	TXV	28400	16.5	14	CX35-30/36B	EL180UH090XE48B	8551525
SL18XC1-030-230	TXV	28200	16	13	CX35-30/36B	EL195UH045XE36B	8551526
SL18XC1-030-230	TXV	28000	15.5	12.5	CX35-30/36B	EL195UH070XE36B	8551527
SL18XC1-030-230	TXV	28200	16	13	CX35-30/36B	EL296UH045XE36B	8551528
SL18XC1-030-230	TXV	28000	16	13	CX35-30/36B	EL296UH045XV36B	8551534
SL18XC1-030-230	TXV	28000	15.5	12.5	CX35-30/36B	EL296UH070XE36B	8551529
SL18XC1-030-230	TXV	28000	16.5	13.5	CX35-30/36B	EL296UH070XV36B	8551535
SL18XC1-030-230	TXV	28200	16.5	14	CX35-30/36B	SL280UH090V36B	8551530
SL18XC1-030-230	TXV	28400	16.5	14	CX35-30/36B	SL280UH090V48B	8551531
SL18XC1-030-230	TXV	28000	16.5	13.5	CX35-30/36B	SLP98UH070XV36B	8551532
SL18XC1-030-230	TXV	28000	16.5	14	CX35-30/36C	EL296UH090XV36C	8551536
SL18XC1-030-230	TXV	28400	16.5	14	CX35-30/36C	SLP98UH090XV36C	8551533
SL18XC1-030-230	TXV	28600	16.5	14	CX35-30/36C	SLP98UH090XV48C	8552167
SL18XC1-030-230	TXV	28800	16.5	14	CX35-30A	EL180UH045E36A	8551498
SL18XC1-030-230	TXV	28800	16.5	14	CX35-30A	EL180UH045XE36A	8551499
SL18XC1-030-230	TXV	29000	16.5	14	CX35-30A	SL280UH070V36A	8551500
SL18XC1-030-230	TXV	29000	16.5	14	CX35-30A	SL280UH070XV36A	8551501
SL18XC1-030-230	TXV	28400	15	12.5	CX35-30A		8551497
SL18XC1-030-230	TXV	28800	16.5	14	CX35-30B	CBWMV-36B-070	8551502
SL18XC1-030-230	TXV	29000	16.5	14	CX35-30B	EL180UH070E36B	8551503
SL18XC1-030-230	TXV	29000	16.5	14	CX35-30B	EL180UH070XE36B	8551504

NOTES:

TXV = Matched with Thermostatic Expansion Valve.

RFC = Matched with RFC metering device.

Ratings are AHRI Certified to AHRI Standard 210/240 (with 25 ft. of connecting refrigerant lines); 95°F outdoor air temperature, 80°F db / 67°F wb entering evaporator air.

All ratings include the use of a blower time delay relay (TDR). All Lennox variable-speed furnaces and Air Handlers have time delay capabilities. Other Furnaces and Air Handlers may require an optional time delay relay (**58M81**) for field installation. See furnace or air handler specifications to determine if relay is needed.

Also see Expansion Valve Kit Usage Table.

AHRI SYSTEM MATCHES

NOTE - For the latest up-to-date system matches please visit the AHRI web site at <http://www.ahridirectory.org>

Model No.	Expansion Device	Capacity	SEER	EER	Coil or Air Handler	Furnace	AHRI Reference
SL18XC1-030-230	TXV	29000	17	14	CX35-30B	EL180UH090E48B	8551505
SL18XC1-030-230	TXV	29000	17	14	CX35-30B	EL180UH090XE48B	8551506
SL18XC1-030-230	TXV	28800	16.5	13.5	CX35-30B	EL195UH045XE36B	8551507
SL18XC1-030-230	TXV	29000	16.5	14	CX35-30B	EL195UH070XE36B	8551508
SL18XC1-030-230	TXV	28800	16.5	13.5	CX35-30B	EL296UH045XE36B	8551509
SL18XC1-030-230	TXV	28600	16.5	13.5	CX35-30B	EL296UH045XV36B	8551510
SL18XC1-030-230	TXV	28600	16.5	14	CX35-30B	EL296UH070XV36B	8551511
SL18XC1-030-230	TXV	29000	17	14	CX35-30B	SL280UH090V36B	8551513
SL18XC1-030-230	TXV	29000	17	14	CX35-30B	SL280UH090V48B	8551514
SL18XC1-030-230	TXV	28600	16.5	14	CX35-30B	SLP98UH070XV36B	8551516
SL18XC1-030-230	TXV	28400	15	12.5	CX35-30B		9060116
SL18XC1-030-230	TXV	29000	16.5	14	CX35-36A	EL180UH045E36A	8551538
SL18XC1-030-230	TXV	29000	16.5	14	CX35-36A	EL180UH045XE36A	8551539
SL18XC1-030-230	TXV	29200	17	14	CX35-36A	SL280UH070V36A	8551540
SL18XC1-030-230	TXV	29200	17	14	CX35-36A	SL280UH070XV36A	8551541
SL18XC1-030-230	TXV	28600	15.1	12.5	CX35-36A		8551537
SL18XC1-030-230	TXV	29200	17	14	CX35-36B	EL180UH070E36B	8551542
SL18XC1-030-230	TXV	29200	17	14	CX35-36B	EL180UH070XE36B	8551543
SL18XC1-030-230	TXV	29200	17	14	CX35-36B	EL180UH090E48B	8551544
SL18XC1-030-230	TXV	29200	17	14	CX35-36B	EL180UH090XE48B	8551545
SL18XC1-030-230	TXV	29200	16.5	14	CX35-36B	EL195UH045XE36B	8551546
SL18XC1-030-230	TXV	29400	16.5	14	CX35-36B	EL195UH070XE36B	8551547
SL18XC1-030-230	TXV	29200	16.5	14	CX35-36B	EL296UH045XE36B	8551548
SL18XC1-030-230	TXV	29000	16.5	14	CX35-36B	EL296UH045XV36B	8551549
SL18XC1-030-230	TXV	29400	16.5	14	CX35-36B	EL296UH070XE36B	8551550
SL18XC1-030-230	TXV	29000	17	14	CX35-36B	EL296UH070XV36B	8551551
SL18XC1-030-230	TXV	29200	17	14	CX35-36B	SL280UH090V36B	8551553
SL18XC1-030-230	TXV	29400	17	14	CX35-36B	SL280UH090V48B	8551554
SL18XC1-030-230	TXV	29200	16	13.5	CX35-36B	SLO185B79/105V42	9150394
SL18XC1-030-230	TXV	29000	17	14	CX35-36B	SLP98UH070XV36B	8551556
SL18XC1-030-230	TXV	29400	17	14	CX35-48B	EL180UH070E36B	8551557
SL18XC1-030-230	TXV	29400	17	14	CX35-48B	EL180UH070XE36B	8551558
SL18XC1-030-230	TXV	29400	17	14	CX35-48B	EL180UH090E48B	8551559
SL18XC1-030-230	TXV	29400	17	14	CX35-48B	EL180UH090XE48B	8551560
SL18XC1-030-230	TXV	29200	16.5	14	CX35-48B	EL195UH045XE36B	8551561
SL18XC1-030-230	TXV	29400	16.5	14	CX35-48B	EL195UH070XE36B	8551562
SL18XC1-030-230	TXV	29200	16.5	14	CX35-48B	EL296UH045XE36B	8551563
SL18XC1-030-230	TXV	29000	16.5	14	CX35-48B	EL296UH045XV36B	8551564
SL18XC1-030-230	TXV	29400	16.5	14	CX35-48B	EL296UH070XE36B	8551565
SL18XC1-030-230	TXV	29000	17	14	CX35-48B	EL296UH070XV36B	8551566
SL18XC1-030-230	TXV	29200	17	14	CX35-48B	SL280UH090V36B	8551569
SL18XC1-030-230	TXV	29400	17	14	CX35-48B	SL280UH090V48B	8551570
SL18XC1-030-230	TXV	29000	17	14	CX35-48B	SLP98UH070XV36B	8551573
SL18XC1-030-230	TXV	28800	15.1	12.5	CX35-48B		8552168
SL18XC1-030-230	TXV	29000	17	14	CX35-48C	EL195UH090XE48C	8551574
SL18XC1-030-230	TXV	29000	17	14	CX35-48C	EL296UH090XE48C	8551575
SL18XC1-030-230	TXV	29200	17.5	14	CX35-48C	EL296UH090XV36C	8551576
SL18XC1-030-230	TXV	29800	17.5	15	CX35-48C	EL296UH090XV48C	8551577
SL18XC1-030-230	TXV	29600	17.5	15	CX35-48C	SLP98UH090XV36C	8551580

NOTES:

TXV = Matched with Thermostatic Expansion Valve.

RFC = Matched with RFC metering device.

Ratings are AHRI Certified to AHRI Standard 210/240 (with 25 ft. of connecting refrigerant lines); 95°F outdoor air temperature, 80°F db / 67°F wb entering evaporator air.

All ratings include the use of a blower time delay relay (TDR). All Lennox variable-speed furnaces and Air Handlers have time delay capabilities. Other Furnaces and Air Handlers may require an optional time delay relay (**58M81**) for field installation. See furnace or air handler specifications to determine if relay is needed.

Also see Expansion Valve Kit Usage Table.

AHRI SYSTEM MATCHES

NOTE - For the latest up-to-date system matches please visit the AHRI web site at <http://www.ahridirectory.org>

Model No.	Expansion Device	Capacity	SEER	EER	Coil or Air Handler	Furnace	AHRI Reference
SL18XC1-030-230	TXV	28400	15	12.5	CX38-31B		10554574
SL18XC1-036-230	TXV	33400	15.5	12.5	C35-30/36A	EL180UH045E36A	8704390
SL18XC1-036-230	TXV	33600	15.5	12.5	C35-30/36A	SL280UH070V36A	8551633
SL18XC1-036-230	TXV	33200	14.5	12.5	C35-30/36A		8551631
SL18XC1-036-230	TXV	33800	15.5	12.5	C35-30/36B	EL180UH070E36B	8551635
SL18XC1-036-230	TXV	33800	15.5	12.5	C35-30/36B	EL180UH070XE36B	8551636
SL18XC1-036-230	TXV	33400	15.1	12.5	C35-30/36B	EL195UH045XE36B	8551639
SL18XC1-036-230	TXV	33600	15.1	12.5	C35-30/36B	EL195UH070XE36B	8551640
SL18XC1-036-230	TXV	33400	15.1	12.5	C35-30/36B	EL296UH045XE36B	8551643
SL18XC1-036-230	TXV	33600	15.5	12.5	C35-30/36B	EL296UH045XV36B	8551644
SL18XC1-036-230	TXV	33600	15.1	12.5	C35-30/36B	EL296UH070XE36B	8551645
SL18XC1-036-230	TXV	33400	16	13	C35-30/36B	EL296UH070XV36B	8551655
SL18XC1-036-230	TXV	33800	16	13	C35-30/36B	SL280UH090V36B	8551650
SL18XC1-036-230	TXV	33800	16	13	C35-30/36B	SL280UH090V48B	8551651
SL18XC1-036-230	TXV	33600	15.5	12.5	C35-30/36B	SLP98UH070XV36B	8551652
SL18XC1-036-230	TXV	33200	14.5	12.5	C35-30/36B		8551634
SL18XC1-036-230	TXV	33600	16	13	C35-30/36C	EL180UH090E60C	8551637
SL18XC1-036-230	TXV	33600	16	13	C35-30/36C	EL180UH110E60C	8551638
SL18XC1-036-230	TXV	33600	16	13	C35-30/36C	EL195UH090XE48C	8551641
SL18XC1-036-230	TXV	33800	16	13	C35-30/36C	EL195UH110XE60C	8551642
SL18XC1-036-230	TXV	33600	16	13	C35-30/36C	EL296UH090XE48C	8551646
SL18XC1-036-230	TXV	33400	16	13	C35-30/36C	EL296UH090XV36C	8551647
SL18XC1-036-230	TXV	33600	16	13	C35-30/36C	EL296UH090XV48C	8551656
SL18XC1-036-230	TXV	33800	16	13	C35-30/36C	EL296UH110XE60C	8551648
SL18XC1-036-230	TXV	33800	16	13	C35-30/36C	EL296UH110XV48C	8551649
SL18XC1-036-230	TXV	33800	16	13	C35-30/36C	SLP98UH090XV36C	8551653
SL18XC1-036-230	TXV	33600	16	13	C35-30/36C	SLP98UH090XV48C	8551654
SL18XC1-036-230	TXV	34600	15.5	12.5	C35-30A	EL180UH045E36A	8704403
SL18XC1-036-230	TXV	34600	16	13	C35-30A	SL280UH070V36A	8551617
SL18XC1-036-230	TXV	34200	15.1	12.5	C35-30A		8551615
SL18XC1-036-230	TXV	34800	16	13	C35-30B	EL180UH070E36B	8551619
SL18XC1-036-230	TXV	34800	16	13	C35-30B	EL180UH070XE36B	8551620
SL18XC1-036-230	TXV	34600	16.5	13.5	C35-30B	EL180UH090E48B	8551621
SL18XC1-036-230	TXV	34400	15.5	12.5	C35-30B	EL195UH045XE36B	8551622
SL18XC1-036-230	TXV	34600	15.5	12.5	C35-30B	EL195UH070XE36B	8551623
SL18XC1-036-230	TXV	34400	15.5	12.5	C35-30B	EL296UH045XE36B	8551624
SL18XC1-036-230	TXV	34600	15.5	12.5	C35-30B	EL296UH045XV36B	8551625
SL18XC1-036-230	TXV	34600	15.5	12.5	C35-30B	EL296UH070XE36B	8551626
SL18XC1-036-230	TXV	34400	16	13	C35-30B	EL296UH070XV36B	8551627
SL18XC1-036-230	TXV	34800	16.5	13.5	C35-30B	SL280UH090V36B	8551628
SL18XC1-036-230	TXV	34800	16.5	13.5	C35-30B	SL280UH090V48B	8551629
SL18XC1-036-230	TXV	34600	16	13	C35-30B	SLP98UH070XV36B	8551630
SL18XC1-036-230	TXV	34200	15.1	12.5	C35-30B		8551618
SL18XC1-036-230	TXV	35000	16	13	C35-36A	EL180UH045E36A	8704402
SL18XC1-036-230	TXV	35000	16	13	C35-36A	SL280UH070V36A	8551659
SL18XC1-036-230	TXV	34600	15.1	12.5	C35-36A		8551657
SL18XC1-036-230	TXV	35000	16.5	13.5	C35-36B	CBWMV-36B-070	8551661
SL18XC1-036-230	TXV	35200	16	13	C35-36B	EL180UH070E36B	8551662
SL18XC1-036-230	TXV	35200	16	13	C35-36B	EL180UH070XE36B	8551663

NOTES:

TXV = Matched with Thermostatic Expansion Valve.

RFC = Matched with RFC metering device.

Ratings are AHRI Certified to AHRI Standard 210/240 (with 25 ft. of connecting refrigerant lines); 95°F outdoor air temperature, 80°F db / 67°F wb entering evaporator air.

All ratings include the use of a blower time delay relay (TDR). All Lennox variable-speed furnaces and Air Handlers have time delay capabilities. Other Furnaces and Air Handlers may require an optional time delay relay (**58M81**) for field installation. See furnace or air handler specifications to determine if relay is needed.

Also see Expansion Valve Kit Usage Table.

AHRI SYSTEM MATCHES

NOTE - For the latest up-to-date system matches please visit the AHRI web site at <http://www.ahridirectory.org>

Model No.	Expansion Device	Capacity	SEER	EER	Coil or Air Handler	Furnace	AHRI Reference
SL18XC1-036-230	TXV	35000	16.5	14	C35-36B	EL180UH090E48B	8551664
SL18XC1-036-230	TXV	34800	15.5	12.5	C35-36B	EL195UH045XE36B	8551665
SL18XC1-036-230	TXV	35000	15.5	12.5	C35-36B	EL195UH070XE36B	8551666
SL18XC1-036-230	TXV	34800	15.5	12.5	C35-36B	EL296UH045XE36B	8551667
SL18XC1-036-230	TXV	35200	16	13.5	C35-36B	EL296UH045XV36B	8551668
SL18XC1-036-230	TXV	35000	15.5	12.5	C35-36B	EL296UH070XE36B	8551669
SL18XC1-036-230	TXV	34800	16.5	13.5	C35-36B	EL296UH070XV36B	8551670
SL18XC1-036-230	TXV	35200	17	14	C35-36B	SL280UH090V36B	8551672
SL18XC1-036-230	TXV	35200	17	14	C35-36B	SL280UH090V48B	8551673
SL18XC1-036-230	TXV	34800	15.5	12.5	C35-36B	SLO185B79/105V42	9114304
SL18XC1-036-230	TXV	35200	16	13	C35-36B	SLP98UH070XV36B	8551675
SL18XC1-036-230	TXV	34600	15.1	12.5	C35-36B		8551660
SL18XC1-036-230	TXV	35200	17	14	C35-48B	EL180UH070E36B	8551677
SL18XC1-036-230	TXV	35600	17	14	C35-48B	EL180UH090E48B	8551678
SL18XC1-036-230	TXV	35000	15.5	12.5	C35-48B	EL195UH045XE36B	8551679
SL18XC1-036-230	TXV	35000	16.5	13.5	C35-48B	EL195UH070XE36B	8551680
SL18XC1-036-230	TXV	35000	15.5	12.5	C35-48B	EL296UH045XE36B	8551681
SL18XC1-036-230	TXV	35200	16.5	13.5	C35-48B	EL296UH045XV36B	8551682
SL18XC1-036-230	TXV	35000	16.5	13.5	C35-48B	EL296UH070XE36B	8551683
SL18XC1-036-230	TXV	35000	16.5	13.5	C35-48B	EL296UH070XV36B	8551684
SL18XC1-036-230	TXV	35800	17	14	C35-48B	SL280UH090V36B	8551686
SL18XC1-036-230	TXV	35400	17	14	C35-48B	SL280UH090V48B	8551687
SL18XC1-036-230	TXV	35200	16.5	13	C35-48B	SLP98UH070XV36B	8551688
SL18XC1-036-230	TXV	34800	15.1	12.5	C35-48B		8551676
SL18XC1-036-230	TXV	35200	16.5	14	C35-48C	CBWMV-36C-090	8551690
SL18XC1-036-230	TXV	34800	17	14	C35-48C	EL296UH090XV36C	8551691
SL18XC1-036-230	TXV	35200	17	14	C35-48C	EL296UH090XV48C	8551692
SL18XC1-036-230	TXV	35800	16.5	14	C35-48C	EL296UH090XV60C	8551693
SL18XC1-036-230	TXV	35400	17	14	C35-48C	EL296UH110XV48C	8551694
SL18XC1-036-230	TXV	35200	17	14	C35-48C	SLP98UH090XV48C	8551696
SL18XC1-036-230	TXV	34800	15.1	12.5	C35-48C		8551689
SL18XC1-036-230	TXV	35600	17	14	C35-49C	EL180UH090E60C	8551698
SL18XC1-036-230	TXV	35800	17	14	C35-49C	EL180UH110E60C	8551699
SL18XC1-036-230	TXV	35400	17	14	C35-49C	EL195UH090XE48C	8551700
SL18XC1-036-230	TXV	35800	17	14	C35-49C	EL195UH110XE60C	8551701
SL18XC1-036-230	TXV	35400	17	14	C35-49C	EL296UH090XE48C	8551702
SL18XC1-036-230	TXV	35000	17	14	C35-49C	EL296UH090XV36C	8551703
SL18XC1-036-230	TXV	35400	17	14	C35-49C	EL296UH090XV48C	8551704
SL18XC1-036-230	TXV	36000	17	14	C35-49C	EL296UH090XV60C	8551705
SL18XC1-036-230	TXV	35800	17	14	C35-49C	EL296UH110XE60C	8551706
SL18XC1-036-230	TXV	35800	17	14	C35-49C	EL296UH110XV60C	8551707
SL18XC1-036-230	TXV	36000	17	14	C35-49C	SL280UH090V60C	8551708
SL18XC1-036-230	TXV	35800	17	14	C35-49C	SL280UH110V60C	8551709
SL18XC1-036-230	TXV	35600	17	14	C35-49C	SLP98UH090XV36C	8551710
SL18XC1-036-230	TXV	35400	17	14	C35-49C	SLP98UH090XV48C	8551711
SL18XC1-036-230	TXV	36000	17	14	C35-49C	SLP98UH090XV60C	8551712
SL18XC1-036-230	TXV	35800	17	14	C35-49C	SLP98UH110XV60C	8551713
SL18XC1-036-230	TXV	35000	15.1	12.5	C35-49C		8551697
SL18XC1-036-230	TXV	35200	17	14	C35-50/60C	EL180UH090E60C	8551715

NOTES:

TXV = Matched with Thermostatic Expansion Valve.

RFC = Matched with RFC metering device.

Ratings are AHRI Certified to AHRI Standard 210/240 (with 25 ft. of connecting refrigerant lines); 95°F outdoor air temperature, 80°F db / 67°F wb entering evaporator air.

All ratings include the use of a blower time delay relay (TDR). All Lennox variable-speed furnaces and Air Handlers have time delay capabilities. Other Furnaces and Air Handlers may require an optional time delay relay (**58M81**) for field installation. See furnace or air handler specifications to determine if relay is needed.

Also see Expansion Valve Kit Usage Table.

AHRI SYSTEM MATCHES

NOTE - For the latest up-to-date system matches please visit the AHRI web site at <http://www.ahridirectory.org>

Model No.	Expansion Device	Capacity	SEER	EER	Coil or Air Handler	Furnace	AHRI Reference
SL18XC1-036-230	TXV	35400	17	14	C35-50/60C	EL180UH110E60C	8551716
SL18XC1-036-230	TXV	34800	16.5	13.5	C35-50/60C	EL195UH090XE48C	8551717
SL18XC1-036-230	TXV	35200	16.5	14	C35-50/60C	EL195UH110XE60C	8551718
SL18XC1-036-230	TXV	34800	16.5	13.5	C35-50/60C	EL296UH090XE48C	8551719
SL18XC1-036-230	TXV	34600	16.5	14	C35-50/60C	EL296UH090XV36C	8551720
SL18XC1-036-230	TXV	35600	16.5	14	C35-50/60C	EL296UH090XV60C	8551721
SL18XC1-036-230	TXV	35200	16.5	14	C35-50/60C	EL296UH110XE60C	8551722
SL18XC1-036-230	TXV	35200	17	14	C35-50/60C	EL296UH110XV48C	8551723
SL18XC1-036-230	TXV	35600	17	14	C35-50/60C	EL296UH110XV60C	8551724
SL18XC1-036-230	TXV	35600	17	14	C35-50/60C	SL280UH090V60C	8551725
SL18XC1-036-230	TXV	35400	16.5	14	C35-50/60C	SL280UH110V60C	8551726
SL18XC1-036-230	TXV	35200	16.5	14	C35-50/60C	SLP98UH090XV36C	8551727
SL18XC1-036-230	TXV	35600	16.5	14	C35-50/60C	SLP98UH090XV60C	8551728
SL18XC1-036-230	TXV	35600	17	14	C35-50/60C	SLP98UH110XV60C	8551729
SL18XC1-036-230	TXV	34600	15.1	12.5	C35-50/60C		8551714
SL18XC1-036-230	TXV	36000	17.5	15	C35-60C	EL180UH090E60C	8551731
SL18XC1-036-230	TXV	36000	17.5	15	C35-60C	EL180UH110E60C	8551732
SL18XC1-036-230	TXV	36000	17.5	14	C35-60C	EL195UH090XE48C	8551733
SL18XC1-036-230	TXV	36000	17	14	C35-60C	EL195UH110XE60C	8551734
SL18XC1-036-230	TXV	36000	17.5	14	C35-60C	EL296UH090XE48C	8551735
SL18XC1-036-230	TXV	35800	17.5	14	C35-60C	EL296UH090XV36C	8551736
SL18XC1-036-230	TXV	36000	17.5	14	C35-60C	EL296UH090XV48C	8551737
SL18XC1-036-230	TXV	36000	17.5	14	C35-60C	EL296UH090XV60C	8551738
SL18XC1-036-230	TXV	36000	17	14	C35-60C	EL296UH110XE60C	8551739
SL18XC1-036-230	TXV	36000	17.5	14	C35-60C	EL296UH110XV48C	8551740
SL18XC1-036-230	TXV	36000	17.5	14	C35-60C	EL296UH110XV60C	8551741
SL18XC1-036-230	TXV	36000	17.5	15	C35-60C	SL280UH090V60C	8551742
SL18XC1-036-230	TXV	36000	17.5	14	C35-60C	SL280UH110V60C	8551743
SL18XC1-036-230	TXV	36000	17.5	14	C35-60C	SLP98UH090XV36C	8551744
SL18XC1-036-230	TXV	36000	17.5	14	C35-60C	SLP98UH090XV48C	8551745
SL18XC1-036-230	TXV	36000	17.5	14	C35-60C	SLP98UH090XV60C	8551746
SL18XC1-036-230	TXV	36000	17.5	14	C35-60C	SLP98UH110XV60C	8551747
SL18XC1-036-230	TXV	35800	15.5	12.5	C35-60C		8551730
SL18XC1-036-230	TXV	34600	16.5	14	CBA27UHE-036		10259447
SL18XC1-036-230	TXV	35600	17	14	CBA27UHE-042		10259448
SL18XC1-036-230	TXV	34400	16.5	14	CBX27UH-036		8110873
SL18XC1-036-230	TXV	35400	17	12.5	CBX27UH-042		8110874
SL18XC1-036-230	TXV	33600	15.5	12.5	CBX32M-030		8110875
SL18XC1-036-230	TXV	34000	15.1	12.5	CBX32M-036		8110876
SL18XC1-036-230	TXV	34000	15.1	13	CBX32M-042		8110877
SL18XC1-036-230	TXV	35000	16	13	CBX32M-048		8110878
SL18XC1-036-230	TXV	34000	16	13	CBX32MV-024/030		8110879
SL18XC1-036-230	TXV	34400	16.5	14	CBX32MV-036		8110880
SL18XC1-036-230	TXV	35600	17.5	13.5	CBX32MV-048		8110881
SL18XC1-036-230	TXV	34600	16.5	14	CBX40UHV-036		8110882
SL18XC1-036-230	TXV	35400	17	14	CBX40UHV-042		8110883
SL18XC1-036-230	TXV	35600	17.5	14	CBX40UHV-048		8110884
SL18XC1-036-230	TXV	33800	15.5	13	CH23-41	EL180UH045XE36A	8110885
SL18XC1-036-230	TXV	33600	16.5	13	CH23-41	EL180UH070E36B	8110886

NOTES:

TXV = Matched with Thermostatic Expansion Valve.

RFC = Matched with RFC metering device.

Ratings are AHRI Certified to AHRI Standard 210/240 (with 25 ft. of connecting refrigerant lines); 95°F outdoor air temperature, 80°F db / 67°F wb entering evaporator air.

All ratings include the use of a blower time delay relay (TDR). All Lennox variable-speed furnaces and Air Handlers have time delay capabilities. Other Furnaces and Air Handlers may require an optional time delay relay (**58M81**) for field installation. See furnace or air handler specifications to determine if relay is needed.

Also see Expansion Valve Kit Usage Table.

AHRI SYSTEM MATCHES

NOTE - For the latest up-to-date system matches please visit the AHRI web site at <http://www.ahridirectory.org>

Model No.	Expansion Device	Capacity	SEER	EER	Coil or Air Handler	Furnace	AHRI Reference
SL18XC1-036-230	TXV	34000	16.5	13	CH23-41	EL180UH090E48B	8110887
SL18XC1-036-230	TXV	33800	16.5	12.5	CH23-41	EL180UH090E60C	8110888
SL18XC1-036-230	TXV	33600	15.1	13	CH23-41	EL195UH070XE36B	8110889
SL18XC1-036-230	TXV	33800	16	13	CH23-41	EL195UH090XE48C	8110890
SL18XC1-036-230	TXV	34000	16	13	CH23-41	EL195UH110XE60C	8110891
SL18XC1-036-230	TXV	33400	16	12.5	CH23-41	EL296UH045XV36B	8110892
SL18XC1-036-230	TXV	33600	15.1	13	CH23-41	EL296UH070XE36B	8110893
SL18XC1-036-230	TXV	33400	16	13	CH23-41	EL296UH070XV36B	8110894
SL18XC1-036-230	TXV	33800	16	13	CH23-41	EL296UH090XE48C	8110895
SL18XC1-036-230	TXV	33400	16.5	13.5	CH23-41	EL296UH090XV36C	8110896
SL18XC1-036-230	TXV	33600	16.5	13	CH23-41	EL296UH090XV48C	8110897
SL18XC1-036-230	TXV	34000	16	13.5	CH23-41	EL296UH110XE60C	8110898
SL18XC1-036-230	TXV	33400	16.5	13	CH23-41	EL296UH110XV48C	8110899
SL18XC1-036-230	TXV	33800	16	13.5	CH23-41	SL280UH070V36A	8110900
SL18XC1-036-230	TXV	33800	16.5	13	CH23-41	SL280UH090V36B	8110901
SL18XC1-036-230	TXV	33800	16	13	CH23-41	SLP98UH070XV36B	8110902
SL18XC1-036-230	TXV	33800	16.5	13.5	CH23-41	SLP98UH090XV36C	8110903
SL18XC1-036-230	TXV	33800	16.5	12.5	CH23-41	SLP98UH090XV48C	8110904
SL18XC1-036-230	TXV	33200	14.5	13	CH23-41		8110905
SL18XC1-036-230	TXV	34000	16	13	CH23-51	EL180UH045XE36A	8110906
SL18XC1-036-230	TXV	33800	16.5	13	CH23-51	EL180UH070E36B	8110907
SL18XC1-036-230	TXV	34000	16.5	13	CH23-51	EL180UH090E48B	8110908
SL18XC1-036-230	TXV	34000	16.5	12.5	CH23-51	EL180UH090E60C	8110909
SL18XC1-036-230	TXV	33600	15.1	12.5	CH23-51	EL195UH045XE36B	8110910
SL18XC1-036-230	TXV	33800	15.5	13	CH23-51	EL195UH070XE36B	8110911
SL18XC1-036-230	TXV	33800	16	13	CH23-51	EL195UH090XE48C	8110912
SL18XC1-036-230	TXV	34000	16.5	12.5	CH23-51	EL195UH110XE60C	8110913
SL18XC1-036-230	TXV	33600	15.1	13	CH23-51	EL296UH045XE36B	8110914
SL18XC1-036-230	TXV	33800	16	12.5	CH23-51	EL296UH045XV36B	8110915
SL18XC1-036-230	TXV	33800	15.5	13	CH23-51	EL296UH070XE36B	8110916
SL18XC1-036-230	TXV	33600	16	13	CH23-51	EL296UH070XV36B	8110917
SL18XC1-036-230	TXV	33800	16	13.5	CH23-51	EL296UH090XE48C	8110918
SL18XC1-036-230	TXV	33600	16.5	13.5	CH23-51	EL296UH090XV36C	8110919
SL18XC1-036-230	TXV	33800	16.5	13	CH23-51	EL296UH090XV48C	8110920
SL18XC1-036-230	TXV	34000	16.5	13.5	CH23-51	EL296UH110XE60C	8110921
SL18XC1-036-230	TXV	34000	16.5	13	CH23-51	EL296UH110XV48C	8110922
SL18XC1-036-230	TXV	33800	16	13.5	CH23-51	SL280UH070V36A	8110923
SL18XC1-036-230	TXV	34000	16.5	13	CH23-51	SL280UH090V36B	8110924
SL18XC1-036-230	TXV	33800	16	13	CH23-51	SLP98UH070XV36B	8111336
SL18XC1-036-230	TXV	34000	16.5	13.5	CH23-51	SLP98UH090XV36C	8110925
SL18XC1-036-230	TXV	33800	16.5	12.5	CH23-51	SLP98UH090XV48C	8110926
SL18XC1-036-230	TXV	33400	14.5	12.5	CH23-51		8110927
SL18XC1-036-230	TXV	33400	15.5	12.2	CH33-36	SLP98UH070XV36B	8110941
SL18XC1-036-230	TXV	33000	15.1	12.5	CH33-36A	EL180UH045XE36A	8110928
SL18XC1-036-230	TXV	33400	15.1	12.5	CH33-36A	SL280UH070V36A	8110929
SL18XC1-036-230	TXV	33600	15.5	13	CH33-36B	EL180UH070E36B	8110930
SL18XC1-036-230	TXV	33400	16	12.5	CH33-36B	EL180UH090E48B	8110931
SL18XC1-036-230	TXV	33200	15	12.5	CH33-36B	EL195UH045XE36B	8110932
SL18XC1-036-230	TXV	33200	15.1	12.5	CH33-36B	EL195UH070XE36B	8110933

NOTES:

TXV = Matched with Thermostatic Expansion Valve.

RFC = Matched with RFC metering device.

Ratings are AHRI Certified to AHRI Standard 210/240 (with 25 ft. of connecting refrigerant lines); 95°F outdoor air temperature, 80°F db / 67°F wb entering evaporator air.

All ratings include the use of a blower time delay relay (TDR). All Lennox variable-speed furnaces and Air Handlers have time delay capabilities. Other Furnaces and Air Handlers may require an optional time delay relay (**58M81**) for field installation. See furnace or air handler specifications to determine if relay is needed.

Also see Expansion Valve Kit Usage Table.

AHRI SYSTEM MATCHES

NOTE - For the latest up-to-date system matches please visit the AHRI web site at <http://www.ahridirectory.org>

Model No.	Expansion Device	Capacity	SEER	EER	Coil or Air Handler	Furnace	AHRI Reference
SL18XC1-036-230	TXV	33200	15	12.5	CH33-36B	EL296UH045XE36B	8110934
SL18XC1-036-230	TXV	33400	15.5	12.5	CH33-36B	EL296UH045XV36B	8110935
SL18XC1-036-230	TXV	33200	15.1	13	CH33-36B	EL296UH070XE36B	8110936
SL18XC1-036-230	TXV	33200	16	13	CH33-36B	EL296UH070XV36B	8110937
SL18XC1-036-230	TXV	33600	16.5	13	CH33-36B	SL280UH090V36B	8110938
SL18XC1-036-230	TXV	33600	16	13	CH33-36B	SL280UH090V48B	8110939
SL18XC1-036-230	TXV	33600	16	12.5	CH33-36B	SL280UH090XV48B	8110940
SL18XC1-036-230	TXV	33000	14.5	13	CH33-36B		8110942
SL18XC1-036-230	TXV	34000	16.5	13	CH33-36C	EL180UH090E60C	8110943
SL18XC1-036-230	TXV	33800	16	13	CH33-36C	EL195UH090XE48C	8110944
SL18XC1-036-230	TXV	34200	16	13	CH33-36C	EL195UH110XE60C	8110945
SL18XC1-036-230	TXV	33800	16	13	CH33-36C	EL296UH090XE48C	8110946
SL18XC1-036-230	TXV	33800	16.5	13	CH33-36C	EL296UH090XV36C	8110947
SL18XC1-036-230	TXV	34000	16.5	13	CH33-36C	EL296UH090XV48C	8110948
SL18XC1-036-230	TXV	34200	16	13.5	CH33-36C	EL296UH110XE60C	8110949
SL18XC1-036-230	TXV	34200	16.5	13	CH33-36C	EL296UH110XV48C	8110950
SL18XC1-036-230	TXV	34000	16.5	12.5	CH33-36C	SLP98UH090XV36C	8110952
SL18XC1-036-230	TXV	33600	14.5	13	CH33-36C		8110953
SL18XC1-036-230	TXV	34600	16	13	CH33-42	EL180UH070E36B	8110954
SL18XC1-036-230	TXV	34400	16.5	12.5	CH33-42	EL180UH090E48B	8110955
SL18XC1-036-230	TXV	34200	15.5	12.5	CH33-42	EL195UH045XE36B	8110956
SL18XC1-036-230	TXV	34400	15.5	12.5	CH33-42	EL195UH070XE36B	8110957
SL18XC1-036-230	TXV	34200	15.5	12.5	CH33-42	EL296UH045XE36B	8110958
SL18XC1-036-230	TXV	34400	15.5	12.5	CH33-42	EL296UH045XV36B	8110959
SL18XC1-036-230	TXV	34400	15.5	13	CH33-42	EL296UH070XE36B	8110960
SL18XC1-036-230	TXV	34200	16	13.5	CH33-42	EL296UH070XV36B	8110961
SL18XC1-036-230	TXV	34400	16.5	13	CH33-42	SL280UH090V36B	8110962
SL18XC1-036-230	TXV	34600	16.5	13	CH33-42	SL280UH090V48B	8110963
SL18XC1-036-230	TXV	34600	16.5	13	CH33-42	SL280UH090XV48B	8110964
SL18XC1-036-230	TXV	34400	16	12.5	CH33-42	SLP98UH070XV36B	8110965
SL18XC1-036-230	TXV	34000	15	14	CH33-42		8110966
SL18XC1-036-230	TXV	36000	16.5	14	CH33-43B	EL180UH070E36B	8110967
SL18XC1-036-230	TXV	35800	17	13	CH33-43B	EL180UH090E48B	8110968
SL18XC1-036-230	TXV	35600	16	13	CH33-43B	EL195UH045XE36B	8110969
SL18XC1-036-230	TXV	35600	16	13	CH33-43B	EL195UH070XE36B	8110970
SL18XC1-036-230	TXV	35600	16	13.5	CH33-43B	EL296UH045XE36B	8110971
SL18XC1-036-230	TXV	35800	16.5	13	CH33-43B	EL296UH045XV36B	8110972
SL18XC1-036-230	TXV	35600	16	14	CH33-43B	EL296UH070XE36B	8110973
SL18XC1-036-230	TXV	35600	16.5	14	CH33-43B	EL296UH070XV36B	8110974
SL18XC1-036-230	TXV	36000	17	14	CH33-43B	SL280UH090V36B	8110975
SL18XC1-036-230	TXV	36000	17	14	CH33-43B	SL280UH090V48B	8110976
SL18XC1-036-230	TXV	36000	17	13.5	CH33-43B	SL280UH090XV48B	8110977
SL18XC1-036-230	TXV	35800	16.5	12.5	CH33-43B	SLP98UH070XV36B	8110978
SL18XC1-036-230	TXV	35400	15.5	14	CH33-43B		8110979
SL18XC1-036-230	TXV	35400	16.5	14	CH33-43C	CBWMV-36C-090	8110980
SL18XC1-036-230	TXV	35600	17	14	CH33-43C	EL180UH090E60C	8110981
SL18XC1-036-230	TXV	35400	17	14	CH33-43C	EL195UH090XE48C	8110982
SL18XC1-036-230	TXV	35600	17	14	CH33-43C	EL195UH110XE60C	8110983
SL18XC1-036-230	TXV	35400	17	14	CH33-43C	EL296UH090XE48C	8110984

NOTES:

TXV = Matched with Thermostatic Expansion Valve.

RFC = Matched with RFC metering device.

Ratings are AHRI Certified to AHRI Standard 210/240 (with 25 ft. of connecting refrigerant lines); 95°F outdoor air temperature, 80°F db / 67°F wb entering evaporator air.

All ratings include the use of a blower time delay relay (TDR). All Lennox variable-speed furnaces and Air Handlers have time delay capabilities. Other Furnaces and Air Handlers may require an optional time delay relay (**58M81**) for field installation. See furnace or air handler specifications to determine if relay is needed.

Also see Expansion Valve Kit Usage Table.

AHRI SYSTEM MATCHES

NOTE - For the latest up-to-date system matches please visit the AHRI web site at <http://www.ahridirectory.org>

Model No.	Expansion Device	Capacity	SEER	EER	Coil or Air Handler	Furnace	AHRI Reference
SL18XC1-036-230	TXV	35000	16.5	14	CH33-43C	EL296UH090XV36C	8110985
SL18XC1-036-230	TXV	35600	17	14	CH33-43C	EL296UH110XE60C	8110986
SL18XC1-036-230	TXV	35400	17	14	CH33-43C	EL296UH110XV48C	8110987
SL18XC1-036-230	TXV	35400	17	12.5	CH33-43C	SLP98UH090XV36C	8110988
SL18XC1-036-230	TXV	34800	15.1	13	CH33-43C		8110989
SL18XC1-036-230	TXV	35000	16	13.5	CH33-44/48	EL180UH070E36B	8110990
SL18XC1-036-230	TXV	34800	16.5	12.5	CH33-44/48	EL180UH090E48B	8110991
SL18XC1-036-230	TXV	34800	15.5	12.5	CH33-44/48	EL195UH045XE36B	8110992
SL18XC1-036-230	TXV	34800	15.5	12.5	CH33-44/48	EL195UH070XE36B	8110993
SL18XC1-036-230	TXV	34800	15.5	13	CH33-44/48	EL296UH045XE36B	8110994
SL18XC1-036-230	TXV	34800	16	12.5	CH33-44/48	EL296UH045XV36B	8110995
SL18XC1-036-230	TXV	34800	15.5	13	CH33-44/48	EL296UH070XE36B	8110996
SL18XC1-036-230	TXV	34600	16.5	14	CH33-44/48	EL296UH070XV36B	8110997
SL18XC1-036-230	TXV	35000	16.5	13.5	CH33-44/48	SL280UH090V36B	8110998
SL18XC1-036-230	TXV	35000	16.5	13	CH33-44/48	SL280UH090V48B	8110999
SL18XC1-036-230	TXV	35000	16	12.5	CH33-44/48	SLP98UH070XV36B	8111000
SL18XC1-036-230	TXV	34600	15.1	14	CH33-44/48		8111001
SL18XC1-036-230	TXV	34600	15.1	14	CH33-48		8111003
SL18XC1-036-230	TXV	35200	17	12.5	CH33-48C	EL296UH110XV48C	8111002
SL18XC1-036-230	TXV	36000	17.5	14	CH33-49	EL180UH090E60C	8111004
SL18XC1-036-230	TXV	35800	17	14	CH33-49	EL195UH090XE48C	8111005
SL18XC1-036-230	TXV	36000	17	14	CH33-49	EL195UH110XE60C	8111006
SL18XC1-036-230	TXV	35800	17	14	CH33-49	EL296UH090XE48C	8111007
SL18XC1-036-230	TXV	35400	17	14	CH33-49	EL296UH090XV36C	8111008
SL18XC1-036-230	TXV	36000	17	14	CH33-49	EL296UH110XE60C	8111009
SL18XC1-036-230	TXV	36000	17.5	14	CH33-49	SL280UH090V60C	8111010
SL18XC1-036-230	TXV	36000	17	14	CH33-49	SL280UH110V60C	8111011
SL18XC1-036-230	TXV	35800	17	12.5	CH33-49	SLP98UH090XV36C	8111012
SL18XC1-036-230	TXV	35200	15.5	14	CH33-49		8111013
SL18XC1-036-230	TXV	35400	17	14	CH33-50/60C	EL180UH090E60C	8111014
SL18XC1-036-230	TXV	35200	16.5	14	CH33-50/60C	EL195UH090XE48C	8111015
SL18XC1-036-230	TXV	35600	17	14	CH33-50/60C	EL195UH110XE60C	8111016
SL18XC1-036-230	TXV	35200	16.5	14	CH33-50/60C	EL296UH090XE48C	8111017
SL18XC1-036-230	TXV	35200	17	14	CH33-50/60C	EL296UH090XV36C	8111018
SL18XC1-036-230	TXV	35400	17	14	CH33-50/60C	EL296UH090XV48C	8111019
SL18XC1-036-230	TXV	35600	17	14	CH33-50/60C	EL296UH110XE60C	8111020
SL18XC1-036-230	TXV	35600	17	14	CH33-50/60C	EL296UH110XV48C	8111021
SL18XC1-036-230	TXV	36000	17	14	CH33-50/60C	SL280UH090V60C	8111022
SL18XC1-036-230	TXV	35800	17	14	CH33-50/60C	SL280UH110V60C	8111023
SL18XC1-036-230	TXV	35600	17	14	CH33-50/60C	SLP98UH090XV36C	8111024
SL18XC1-036-230	TXV	35400	17	12.5	CH33-50/60C	SLP98UH090XV48C	8111337
SL18XC1-036-230	TXV	35200	15.5	12.5	CH33-50/60C		8111025
SL18XC1-036-230	TXV	33200	15.1	12.5	CH35-36A	EL180UH045XE36A	8111026
SL18XC1-036-230	TXV	33400	15.5	12.5	CH35-36A	SL280UH070V36A	8111027
SL18XC1-036-230	TXV	33400	15.5	12.5	CH35-36A	SL280UH070XV36A	8111028
SL18XC1-036-230	TXV	33200	14.5	12.5	CH35-36A		8111029
SL18XC1-036-230	TXV	33800	15.5	13	CH35-36B	EL180UH070E36B	8111030
SL18XC1-036-230	TXV	33600	16	12.5	CH35-36B	EL180UH090E48B	8111031
SL18XC1-036-230	TXV	33400	15	12.5	CH35-36B	EL195UH045XE36B	8111032

NOTES:

TXV = Matched with Thermostatic Expansion Valve.

RFC = Matched with RFC metering device.

Ratings are AHRI Certified to AHRI Standard 210/240 (with 25 ft. of connecting refrigerant lines); 95°F outdoor air temperature, 80°F db / 67°F wb entering evaporator air.

All ratings include the use of a blower time delay relay (TDR). All Lennox variable-speed furnaces and Air Handlers have time delay capabilities. Other Furnaces and Air Handlers may require an optional time delay relay (**58M81**) for field installation. See furnace or air handler specifications to determine if relay is needed.

Also see Expansion Valve Kit Usage Table.

AHRI SYSTEM MATCHES

NOTE - For the latest up-to-date system matches please visit the AHRI web site at <http://www.ahridirectory.org>

Model No.	Expansion Device	Capacity	SEER	EER	Coil or Air Handler	Furnace	AHRI Reference
SL18XC1-036-230	TXV	33400	15.1	12.5	CH35-36B	EL195UH070XE36B	8111033
SL18XC1-036-230	TXV	33400	15	12.5	CH35-36B	EL296UH045XE36B	8111035
SL18XC1-036-230	TXV	33600	15.5	12.5	CH35-36B	EL296UH045XV36B	8111034
SL18XC1-036-230	TXV	33400	15.1	13	CH35-36B	EL296UH070XE36B	8111036
SL18XC1-036-230	TXV	33400	16	13	CH35-36B	EL296UH070XV36B	8111037
SL18XC1-036-230	TXV	33600	16.5	13	CH35-36B	SL280UH090V36B	8111038
SL18XC1-036-230	TXV	33800	16	12.5	CH35-36B	SL280UH090V48B	8111040
SL18XC1-036-230	TXV	33600	15.5	12.5	CH35-36B	SLP98UH070XV36B	8111041
SL18XC1-036-230	TXV	33200	14.5	13	CH35-36B		8111042
SL18XC1-036-230	TXV	34000	16.5	13	CH35-36C	EL180UH090E60C	8111043
SL18XC1-036-230	TXV	34000	16	13	CH35-36C	EL195UH090XE48C	8111044
SL18XC1-036-230	TXV	34200	16.5	13	CH35-36C	EL195UH110XE60C	8111045
SL18XC1-036-230	TXV	34000	16	13	CH35-36C	EL296UH090XE48C	8111046
SL18XC1-036-230	TXV	33800	16.5	13	CH35-36C	EL296UH090XV36C	8111047
SL18XC1-036-230	TXV	34000	16.5	13.5	CH35-36C	EL296UH090XV48C	8111048
SL18XC1-036-230	TXV	34200	16.5	13	CH35-36C	EL296UH110XE60C	8111050
SL18XC1-036-230	TXV	34200	16.5	13	CH35-36C	EL296UH110XV48C	8111049
SL18XC1-036-230	TXV	34200	16.5	13	CH35-36C	SLP98UH090XV36C	8111051
SL18XC1-036-230	TXV	34000	16.5	12.5	CH35-36C	SLP98UH090XV48C	8111052
SL18XC1-036-230	TXV	33800	15	14	CH35-36C		8111053
SL18XC1-036-230	TXV	35800	16.5	14	CH35-42B	CBWMV-36B-070	8111054
SL18XC1-036-230	TXV	36000	16.5	14	CH35-42B	EL180UH070E36B	8111055
SL18XC1-036-230	TXV	35800	17	13	CH35-42B	EL180UH090E48B	8111056
SL18XC1-036-230	TXV	35600	16	13	CH35-42B	EL195UH045XE36B	8111057
SL18XC1-036-230	TXV	35800	16	13.5	CH35-42B	EL195UH070XE36B	8111058
SL18XC1-036-230	TXV	35600	16	13	CH35-42B	EL296UH045XE36B	8111060
SL18XC1-036-230	TXV	35800	16.5	13	CH35-42B	EL296UH045XV36B	8111059
SL18XC1-036-230	TXV	35800	16	14	CH35-42B	EL296UH070XE36B	8111061
SL18XC1-036-230	TXV	35600	16.5	14	CH35-42B	EL296UH070XV36B	8111062
SL18XC1-036-230	TXV	35800	17	14	CH35-42B	SL280UH090V36B	8111063
SL18XC1-036-230	TXV	36000	17	13.5	CH35-42B	SL280UH090V48B	8111065
SL18XC1-036-230	TXV	35800	16.5	12.5	CH35-42B	SLP98UH070XV36B	8111066
SL18XC1-036-230	TXV	35400	15.5	14	CH35-42B		8111067
SL18XC1-036-230	TXV	35600	16.5	14	CH35-42C	CBWMV-36C-090	8111068
SL18XC1-036-230	TXV	35600	17	14	CH35-42C	EL180UH090E60C	8111069
SL18XC1-036-230	TXV	35400	17	14	CH35-42C	EL195UH090XE48C	8111070
SL18XC1-036-230	TXV	35800	17	14	CH35-42C	EL195UH110XE60C	8111071
SL18XC1-036-230	TXV	35400	17	14	CH35-42C	EL296UH090XE48C	8111072
SL18XC1-036-230	TXV	35000	16.5	14	CH35-42C	EL296UH090XV36C	8111073
SL18XC1-036-230	TXV	35800	17	14	CH35-42C	EL296UH110XE60C	8111075
SL18XC1-036-230	TXV	35400	17	14	CH35-42C	EL296UH110XV48C	8111074
SL18XC1-036-230	TXV	35600	17	12.5	CH35-42C	SLP98UH090XV36C	8111076
SL18XC1-036-230	TXV	35000	15.5	13	CH35-42C		8111077
SL18XC1-036-230	TXV	35200	16.5	14	CH35-48B	EL180UH070E36B	8111078
SL18XC1-036-230	TXV	35000	16.5	12.5	CH35-48B	EL180UH090E48B	8111079
SL18XC1-036-230	TXV	35000	15.5	13	CH35-48B	EL195UH045XE36B	8111080
SL18XC1-036-230	TXV	35000	16	13	CH35-48B	EL195UH070XE36B	8111081
SL18XC1-036-230	TXV	35000	16	12.5	CH35-48B	EL296UH045XE36B	8111082
SL18XC1-036-230	TXV	35000	15.5	13	CH35-48B	EL296UH045XV36B	8111083

NOTES:

TXV = Matched with Thermostatic Expansion Valve.

RFC = Matched with RFC metering device.

Ratings are AHRI Certified to AHRI Standard 210/240 (with 25 ft. of connecting refrigerant lines); 95°F outdoor air temperature, 80°F db / 67°F wb entering evaporator air.

All ratings include the use of a blower time delay relay (TDR). All Lennox variable-speed furnaces and Air Handlers have time delay capabilities. Other Furnaces and Air Handlers may require an optional time delay relay (**58M81**) for field installation. See furnace or air handler specifications to determine if relay is needed.

Also see Expansion Valve Kit Usage Table.

AHRI SYSTEM MATCHES

NOTE - For the latest up-to-date system matches please visit the AHRI web site at <http://www.ahridirectory.org>

Model No.	Expansion Device	Capacity	SEER	EER	Coil or Air Handler	Furnace	AHRI Reference
SL18XC1-036-230	TXV	35000	16	13.5	CH35-48B	EL296UH070XE36B	8111084
SL18XC1-036-230	TXV	34800	16.5	14	CH35-48B	EL296UH070XV36B	8111085
SL18XC1-036-230	TXV	35000	16.5	14	CH35-48B	SL280UH090V36B	8111086
SL18XC1-036-230	TXV	35200	16.5	13	CH35-48B	SL280UH090V48B	8111088
SL18XC1-036-230	TXV	35200	16	12.5	CH35-48B	SLP98UH070XV36B	8111338
SL18XC1-036-230	TXV	34800	15.1	14	CH35-48B		8111089
SL18XC1-036-230	TXV	35400	17	12.5	CH35-48C	EL296UH110XV48C	8111090
SL18XC1-036-230	TXV	34800	15.1	14	CH35-48C		8111091
SL18XC1-036-230	TXV	35800	17	14	CH35-51C	EL180UH090E60C	8111092
SL18XC1-036-230	TXV	35600	17	14	CH35-51C	EL195UH090XE48C	8111093
SL18XC1-036-230	TXV	35800	17	14	CH35-51C	EL195UH110XE60C	8111094
SL18XC1-036-230	TXV	35600	17	14	CH35-51C	EL296UH090XE48C	8111095
SL18XC1-036-230	TXV	35400	17	14	CH35-51C	EL296UH090XV36C	8111096
SL18XC1-036-230	TXV	35600	17	14	CH35-51C	EL296UH090XV48C	8111097
SL18XC1-036-230	TXV	35800	17	14	CH35-51C	EL296UH110XE60C	8111099
SL18XC1-036-230	TXV	36000	17.5	14	CH35-51C	EL296UH110XV48C	8111098
SL18XC1-036-230	TXV	36000	17.5	14	CH35-51C	SL280UH090V60C	8111100
SL18XC1-036-230	TXV	36000	17	14	CH35-51C	SL280UH110V60C	8111101
SL18XC1-036-230	TXV	36000	17	14	CH35-51C	SLP98UH090XV36C	8111102
SL18XC1-036-230	TXV	35800	17	12.5	CH35-51C	SLP98UH090XV48C	8111339
SL18XC1-036-230	TXV	35400	15.5	13	CH35-51C		8111103
SL18XC1-036-230	TXV	33800	16.5	12.5	CR33-30/36B	EL180DF070E36B	8111104
SL18XC1-036-230	TXV	33800	15.1	13	CR33-30/36B	EL195DF045XE36B	8111105
SL18XC1-036-230	TXV	33800	16	12.5	CR33-30/36B	EL195DF070XE48B	8111106
SL18XC1-036-230	TXV	33800	15.1	12.5	CR33-30/36B	EL296DF045XE36B	8111107
SL18XC1-036-230	TXV	34000	15.5	13	CR33-30/36B	EL296DF045XV36B	8111108
SL18XC1-036-230	TXV	33800	16	12.5	CR33-30/36B	EL296DF070XE48B	8111109
SL18XC1-036-230	TXV	34000	15.5	13	CR33-30/36B	EL296DF070XV48B	8111110
SL18XC1-036-230	TXV	34200	16.5	13	CR33-30/36B	SL280DF090V48B	8111111
SL18XC1-036-230	TXV	33800	16	12.5	CR33-30/36B	SLP98DF070XV36B	8111112
SL18XC1-036-230	TXV	33600	14.5	13	CR33-30/36B		8111113
SL18XC1-036-230	TXV	34000	16	13	CR33-30/36C	EL180DF0110E60C	8111114
SL18XC1-036-230	TXV	33800	16	13	CR33-30/36C	EL195DF090XE48C	8111115
SL18XC1-036-230	TXV	34000	16	13	CR33-30/36C	EL195DF110XE60C	8111116
SL18XC1-036-230	TXV	33800	16	13	CR33-30/36C	EL296DF090XE48C	8111117
SL18XC1-036-230	TXV	34200	16	13	CR33-30/36C	EL296DF090XV60C	8111118
SL18XC1-036-230	TXV	34000	16	13	CR33-30/36C	EL296DF110XE60C	8111119
SL18XC1-036-230	TXV	34400	16	13	CR33-30/36C	EL296DF110XV60C	8111120
SL18XC1-036-230	TXV	34600	16.5	13	CR33-30/36C	SL280DF090V60C	8111341
SL18XC1-036-230	TXV	34200	16.5	13	CR33-30/36C	SL280DF110V60C	8111121
SL18XC1-036-230	TXV	33800	16	13	CR33-30/36C	SLP98DF090XV36C	8111122
SL18XC1-036-230	TXV	34200	16	13	CR33-30/36C	SLP98DF090XV48C	8111123
SL18XC1-036-230	TXV	34200	16	13	CR33-30/36C	SLP98DF090XV60C	8111124
SL18XC1-036-230	TXV	34400	16	12.5	CR33-30/36C	SLP98DF110XV60C	8111125
SL18XC1-036-230	TXV	33600	14.5	13.5	CR33-30/36C		8111126
SL18XC1-036-230	TXV	34200	16.5	13	CR33-48B	EL180DF070E36B	8111127
SL18XC1-036-230	TXV	34200	16.5	12.5	CR33-48B	EL180DF090E48B	8111128
SL18XC1-036-230	TXV	34200	15.5	13	CR33-48B	EL195DF045XE36B	8111129
SL18XC1-036-230	TXV	34200	16	12.5	CR33-48B	EL195DF070XE48B	8111130

NOTES:

TXV = Matched with Thermostatic Expansion Valve.

RFC = Matched with RFC metering device.

Ratings are AHRI Certified to AHRI Standard 210/240 (with 25 ft. of connecting refrigerant lines); 95°F outdoor air temperature, 80°F db / 67°F wb entering evaporator air.

All ratings include the use of a blower time delay relay (TDR). All Lennox variable-speed furnaces and Air Handlers have time delay capabilities. Other Furnaces and Air Handlers may require an optional time delay relay (**58M81**) for field installation. See furnace or air handler specifications to determine if relay is needed.

Also see Expansion Valve Kit Usage Table.

AHRI SYSTEM MATCHES

NOTE - For the latest up-to-date system matches please visit the AHRI web site at <http://www.ahridirectory.org>

Model No.	Expansion Device	Capacity	SEER	EER	Coil or Air Handler	Furnace	AHRI Reference
SL18XC1-036-230	TXV	34200	15.5	13	CR33-48B	EL296DF045XE36B	8111131
SL18XC1-036-230	TXV	34400	16	13	CR33-48B	EL296DF045XV36B	8111132
SL18XC1-036-230	TXV	34200	16	13	CR33-48B	EL296DF070XE48B	8111133
SL18XC1-036-230	TXV	34400	16	13.5	CR33-48B	EL296DF070XV48B	8111134
SL18XC1-036-230	TXV	34400	16.5	13	CR33-48B	SL280DF090V48B	8111135
SL18XC1-036-230	TXV	34200	16.5	12.5	CR33-48B	SLP98DF070XV36B	8111136
SL18XC1-036-230	TXV	34000	15	13.5	CR33-48B		8111137
SL18XC1-036-230	TXV	34600	16.5	13	CR33-48C	EL180DF0110E60C	8111138
SL18XC1-036-230	TXV	34400	16.5	13	CR33-48C	EL195DF090XE48C	8111139
SL18XC1-036-230	TXV	34400	16.5	13	CR33-48C	EL195DF110XE60C	8111140
SL18XC1-036-230	TXV	34400	16.5	13.5	CR33-48C	EL296DF090XE48C	8111141
SL18XC1-036-230	TXV	34800	16.5	13	CR33-48C	EL296DF090XV60C	8111142
SL18XC1-036-230	TXV	34400	16.5	13.5	CR33-48C	EL296DF110XE60C	8111143
SL18XC1-036-230	TXV	34800	16.5	14	CR33-48C	EL296DF110XV60C	8111144
SL18XC1-036-230	TXV	35000	16.5	14	CR33-48C	SL280DF090V60C	8111145
SL18XC1-036-230	TXV	34600	16.5	13	CR33-48C	SL280DF110V60C	8111146
SL18XC1-036-230	TXV	34200	16.5	13.5	CR33-48C	SLP98DF090XV36C	8111147
SL18XC1-036-230	TXV	34600	16.5	13.5	CR33-48C	SLP98DF090XV48C	8111148
SL18XC1-036-230	TXV	34800	16.5	13.5	CR33-48C	SLP98DF090XV60C	8111149
SL18XC1-036-230	TXV	34800	16.5	12.5	CR33-48C	SLP98DF110XV60C	8111150
SL18XC1-036-230	TXV	34000	15	13	CR33-48C		8111151
SL18XC1-036-230	TXV	33400	15.1	12.5	CX35-30/36A	EL180UH045E36A	8704401
SL18XC1-036-230	TXV	33600	15.5	12.5	CX35-30/36A	SL280UH070V36A	8551766
SL18XC1-036-230	TXV	33200	14.5	12.5	CX35-30/36A		8551764
SL18XC1-036-230	TXV	33800	15.5	12.5	CX35-30/36B	EL180UH070E36B	8551768
SL18XC1-036-230	TXV	33800	15.5	12.5	CX35-30/36B	EL180UH070XE36B	8551769
SL18XC1-036-230	TXV	33400	15.1	12.5	CX35-30/36B	EL195UH045XE36B	8551772
SL18XC1-036-230	TXV	33600	15.1	12.5	CX35-30/36B	EL195UH070XE36B	8551773
SL18XC1-036-230	TXV	33400	15.1	12.5	CX35-30/36B	EL296UH045XE36B	8551776
SL18XC1-036-230	TXV	33600	15.5	12.5	CX35-30/36B	EL296UH045XV36B	8551777
SL18XC1-036-230	TXV	33600	15.1	12.5	CX35-30/36B	EL296UH070XE36B	8551778
SL18XC1-036-230	TXV	33400	16	13	CX35-30/36B	EL296UH070XV36B	8551788
SL18XC1-036-230	TXV	33800	16.5	13	CX35-30/36B	SL280UH090V36B	8551783
SL18XC1-036-230	TXV	33800	16	13	CX35-30/36B	SL280UH090V48B	8551784
SL18XC1-036-230	TXV	33600	15.5	12.5	CX35-30/36B	SLP98UH070XV36B	8551785
SL18XC1-036-230	TXV	33200	14.5	12.5	CX35-30/36B		8551767
SL18XC1-036-230	TXV	33600	16	13	CX35-30/36C	EL180UH090E60C	8551770
SL18XC1-036-230	TXV	33600	16	13	CX35-30/36C	EL180UH110E60C	8551771
SL18XC1-036-230	TXV	33600	16	13	CX35-30/36C	EL195UH090XE48C	8551774
SL18XC1-036-230	TXV	33800	16	13	CX35-30/36C	EL195UH110XE60C	8551775
SL18XC1-036-230	TXV	33600	16	13	CX35-30/36C	EL296UH090XE48C	8551779
SL18XC1-036-230	TXV	33400	16	13	CX35-30/36C	EL296UH090XV36C	8551780
SL18XC1-036-230	TXV	33600	16	13	CX35-30/36C	EL296UH090XV48C	8551789
SL18XC1-036-230	TXV	33800	16	13	CX35-30/36C	EL296UH110XE60C	8551781
SL18XC1-036-230	TXV	33800	16	13	CX35-30/36C	EL296UH110XV48C	8551782
SL18XC1-036-230	TXV	33800	16	13	CX35-30/36C	SLP98UH090XV36C	8551786
SL18XC1-036-230	TXV	33600	16	13	CX35-30/36C	SLP98UH090XV48C	8551787
SL18XC1-036-230	TXV	34600	15.5	12.5	CX35-30A	EL180UH045E36A	8704400
SL18XC1-036-230	TXV	34600	16	13	CX35-30A	SL280UH070V36A	8551750

NOTES:

TXV = Matched with Thermostatic Expansion Valve.

RFC = Matched with RFC metering device.

Ratings are AHRI Certified to AHRI Standard 210/240 (with 25 ft. of connecting refrigerant lines); 95°F outdoor air temperature, 80°F db / 67°F wb entering evaporator air.

All ratings include the use of a blower time delay relay (TDR). All Lennox variable-speed furnaces and Air Handlers have time delay capabilities. Other Furnaces and Air Handlers may require an optional time delay relay (**58M81**) for field installation. See furnace or air handler specifications to determine if relay is needed.

Also see Expansion Valve Kit Usage Table.

AHRI SYSTEM MATCHES

NOTE - For the latest up-to-date system matches please visit the AHRI web site at <http://www.ahridirectory.org>

Model No.	Expansion Device	Capacity	SEER	EER	Coil or Air Handler	Furnace	AHRI Reference
SL18XC1-036-230	TXV	34200	15.1	12.5	CX35-30A		8551748
SL18XC1-036-230	TXV	34800	16	13	CX35-30B	EL180UH070E36B	8551752
SL18XC1-036-230	TXV	34800	16	13	CX35-30B	EL180UH070XE36B	8551753
SL18XC1-036-230	TXV	34600	16.5	13.5	CX35-30B	EL180UH090E48B	8551754
SL18XC1-036-230	TXV	34400	15.5	12.5	CX35-30B	EL195UH045XE36B	8551755
SL18XC1-036-230	TXV	34600	15.5	12.5	CX35-30B	EL195UH070XE36B	8551756
SL18XC1-036-230	TXV	34400	15.5	12.5	CX35-30B	EL296UH045XE36B	8551757
SL18XC1-036-230	TXV	34600	15.5	12.5	CX35-30B	EL296UH045XV36B	8551758
SL18XC1-036-230	TXV	34600	15.5	12.5	CX35-30B	EL296UH070XE36B	8551759
SL18XC1-036-230	TXV	34400	16	13	CX35-30B	EL296UH070XV36B	8551760
SL18XC1-036-230	TXV	34800	16.5	13.5	CX35-30B	SL280UH090V36B	8551761
SL18XC1-036-230	TXV	34800	16.5	13.5	CX35-30B	SL280UH090V48B	8551762
SL18XC1-036-230	TXV	34600	16	13	CX35-30B	SLP98UH070XV36B	8551763
SL18XC1-036-230	TXV	34200	15.1	12.5	CX35-30B		8551751
SL18XC1-036-230	TXV	35000	16	13	CX35-36A	EL180UH045E36A	8704399
SL18XC1-036-230	TXV	35000	16	13	CX35-36A	SL280UH070V36A	8551792
SL18XC1-036-230	TXV	34600	15.1	12.5	CX35-36A		8551790
SL18XC1-036-230	TXV	35000	16.5	13.5	CX35-36B	CBWMV-36B-070	8551794
SL18XC1-036-230	TXV	35200	16	13	CX35-36B	EL180UH070E36B	8551795
SL18XC1-036-230	TXV	35200	16	13	CX35-36B	EL180UH070XE36B	8551796
SL18XC1-036-230	TXV	35000	16.5	14	CX35-36B	EL180UH090E48B	8551797
SL18XC1-036-230	TXV	34800	15.5	12.5	CX35-36B	EL195UH045XE36B	8551798
SL18XC1-036-230	TXV	35000	15.5	12.5	CX35-36B	EL195UH070XE36B	8551799
SL18XC1-036-230	TXV	34800	15.5	12.5	CX35-36B	EL296UH045XE36B	8551800
SL18XC1-036-230	TXV	35200	16	13.5	CX35-36B	EL296UH045XV36B	8551801
SL18XC1-036-230	TXV	35000	15.5	12.5	CX35-36B	EL296UH070XE36B	8551802
SL18XC1-036-230	TXV	34800	16.5	13.5	CX35-36B	EL296UH070XV36B	8551803
SL18XC1-036-230	TXV	35200	17	14	CX35-36B	SL280UH090V36B	8551805
SL18XC1-036-230	TXV	35200	17	14	CX35-36B	SL280UH090V48B	8551806
SL18XC1-036-230	TXV	34800	15.5	12.5	CX35-36B	SLO185B79/105V42	9114305
SL18XC1-036-230	TXV	35200	16	13	CX35-36B	SLP98UH070XV36B	8551808
SL18XC1-036-230	TXV	34600	15.1	12.5	CX35-36B		8551793
SL18XC1-036-230	TXV	35200	17	14	CX35-48B	EL180UH070E36B	8551810
SL18XC1-036-230	TXV	35600	17	14	CX35-48B	EL180UH090E48B	8551811
SL18XC1-036-230	TXV	35000	15.5	12.5	CX35-48B	EL195UH045XE36B	8551812
SL18XC1-036-230	TXV	35000	16.5	13.5	CX35-48B	EL195UH070XE36B	8551813
SL18XC1-036-230	TXV	35000	15.5	12.5	CX35-48B	EL296UH045XE36B	8551814
SL18XC1-036-230	TXV	35200	16.5	13.5	CX35-48B	EL296UH045XV36B	8551815
SL18XC1-036-230	TXV	35000	16.5	13.5	CX35-48B	EL296UH070XE36B	8551816
SL18XC1-036-230	TXV	35000	16.5	13.5	CX35-48B	EL296UH070XV36B	8551817
SL18XC1-036-230	TXV	35800	17	14	CX35-48B	SL280UH090V36B	8551819
SL18XC1-036-230	TXV	35400	17	14	CX35-48B	SL280UH090V48B	8551820
SL18XC1-036-230	TXV	35200	16.5	13	CX35-48B	SLP98UH070XV36B	8551821
SL18XC1-036-230	TXV	34800	15.1	12.5	CX35-48B		8551809
SL18XC1-036-230	TXV	35200	16.5	14	CX35-48C	CBWMV-36C-090	8551823
SL18XC1-036-230	TXV	35200	17	14	CX35-48C	EL296UH090XV48C	8551824
SL18XC1-036-230	TXV	35800	16.5	14	CX35-48C	EL296UH090XV60C	8551825
SL18XC1-036-230	TXV	35400	17	14	CX35-48C	EL296UH110XV48C	8551826
SL18XC1-036-230	TXV	35200	17	14	CX35-48C	SLP98UH090XV48C	8551828

NOTES:

TXV = Matched with Thermostatic Expansion Valve.

RFC = Matched with RFC metering device.

Ratings are AHRI Certified to AHRI Standard 210/240 (with 25 ft. of connecting refrigerant lines); 95°F outdoor air temperature, 80°F db / 67°F wb entering evaporator air.

All ratings include the use of a blower time delay relay (TDR). All Lennox variable-speed furnaces and Air Handlers have time delay capabilities. Other Furnaces and Air Handlers may require an optional time delay relay (**58M81**) for field installation. See furnace or air handler specifications to determine if relay is needed.

Also see Expansion Valve Kit Usage Table.

AHRI SYSTEM MATCHES

NOTE - For the latest up-to-date system matches please visit the AHRI web site at <http://www.ahridirectory.org>

Model No.	Expansion Device	Capacity	SEER	EER	Coil or Air Handler	Furnace	AHRI Reference
SL18XC1-036-230	TXV	34800	15.1	12.5	CX35-48C		8551822
SL18XC1-036-230	TXV	35600	17	14	CX35-49C	EL180UH090E60C	8551830
SL18XC1-036-230	TXV	35800	17	14	CX35-49C	EL180UH110E60C	8551831
SL18XC1-036-230	TXV	35400	17	14	CX35-49C	EL195UH090XE48C	8551832
SL18XC1-036-230	TXV	35800	17	14	CX35-49C	EL195UH110XE60C	8551969
SL18XC1-036-230	TXV	35400	17	14	CX35-49C	EL296UH090XE48C	8551833
SL18XC1-036-230	TXV	35000	17	14	CX35-49C	EL296UH090XV36C	8551834
SL18XC1-036-230	TXV	35400	17	14	CX35-49C	EL296UH090XV48C	8551835
SL18XC1-036-230	TXV	36000	17	14	CX35-49C	EL296UH090XV60C	8551836
SL18XC1-036-230	TXV	35800	17	14	CX35-49C	EL296UH110XE60C	8551970
SL18XC1-036-230	TXV	35800	17	14	CX35-49C	EL296UH110XV60C	8551837
SL18XC1-036-230	TXV	36000	17	14	CX35-49C	SL280UH090V60C	8551838
SL18XC1-036-230	TXV	35800	17	14	CX35-49C	SL280UH110V60C	8551839
SL18XC1-036-230	TXV	35600	17	14	CX35-49C	SLP98UH090XV36C	8551840
SL18XC1-036-230	TXV	36000	17	14	CX35-49C	SLP98UH090XV48C	8551842
SL18XC1-036-230	TXV	35400	17	14	CX35-49C	SLP98UH090XV60C	8551841
SL18XC1-036-230	TXV	35800	17	14	CX35-49C	SLP98UH110XV60C	8551843
SL18XC1-036-230	TXV	35000	15.1	12.5	CX35-49C		8551829
SL18XC1-036-230	TXV	35200	17	14	CX35-50/60C	EL180UH090E60C	8551845
SL18XC1-036-230	TXV	35400	17	14	CX35-50/60C	EL180UH110E60C	8551846
SL18XC1-036-230	TXV	34800	16.5	13.5	CX35-50/60C	EL195UH090XE48C	8551847
SL18XC1-036-230	TXV	35200	16.5	14	CX35-50/60C	EL195UH110XE60C	8551848
SL18XC1-036-230	TXV	34800	16.5	13.5	CX35-50/60C	EL296UH090XE48C	8551849
SL18XC1-036-230	TXV	34600	16.5	14	CX35-50/60C	EL296UH090XV36C	8551850
SL18XC1-036-230	TXV	35600	16.5	14	CX35-50/60C	EL296UH090XV60C	8551851
SL18XC1-036-230	TXV	35200	16.5	14	CX35-50/60C	EL296UH110XE60C	8551852
SL18XC1-036-230	TXV	35200	17	14	CX35-50/60C	EL296UH110XV48C	8551853
SL18XC1-036-230	TXV	35600	17	14	CX35-50/60C	EL296UH110XV60C	8551854
SL18XC1-036-230	TXV	35600	17	14	CX35-50/60C	SL280UH090V60C	8551855
SL18XC1-036-230	TXV	35400	16.5	14	CX35-50/60C	SL280UH110V60C	8551856
SL18XC1-036-230	TXV	35600	16.5	14	CX35-50/60C	SLP98UH090XV36C	8551858
SL18XC1-036-230	TXV	35200	16.5	14	CX35-50/60C	SLP98UH090XV60C	8551857
SL18XC1-036-230	TXV	35600	17	14	CX35-50/60C	SLP98UH110XV60C	8551859
SL18XC1-036-230	TXV	34600	15.1	12.5	CX35-50/60C		8551844
SL18XC1-036-230	TXV	36000	17.5	15	CX35-60C	EL180UH090E60C	8551861
SL18XC1-036-230	TXV	36000	17.5	15	CX35-60C	EL180UH110E60C	8551862
SL18XC1-036-230	TXV	36000	17.5	14	CX35-60C	EL195UH090XE48C	8551863
SL18XC1-036-230	TXV	36000	17	14	CX35-60C	EL195UH110XE60C	8551864
SL18XC1-036-230	TXV	36000	17.5	14	CX35-60C	EL296UH090XE48C	8551865
SL18XC1-036-230	TXV	35800	17.5	14	CX35-60C	EL296UH090XV36C	8551866
SL18XC1-036-230	TXV	36000	17.5	14	CX35-60C	EL296UH090XV48C	8551867
SL18XC1-036-230	TXV	36000	17.5	14	CX35-60C	EL296UH090XV60C	8551868
SL18XC1-036-230	TXV	36000	17	14	CX35-60C	EL296UH110XE60C	8551869
SL18XC1-036-230	TXV	36000	17.5	14	CX35-60C	EL296UH110XV48C	8551870
SL18XC1-036-230	TXV	36000	17.5	14	CX35-60C	EL296UH110XV60C	8551871
SL18XC1-036-230	TXV	36000	17.5	15	CX35-60C	SL280UH090V60C	8551872
SL18XC1-036-230	TXV	36000	17.5	14	CX35-60C	SL280UH110V60C	8551873
SL18XC1-036-230	TXV	36000	17.5	14	CX35-60C	SLP98UH090XV36C	8551874
SL18XC1-036-230	TXV	36000	17.5	14	CX35-60C	SLP98UH090XV48C	8551875

NOTES:

TXV = Matched with Thermostatic Expansion Valve.

RFC = Matched with RFC metering device.

Ratings are AHRI Certified to AHRI Standard 210/240 (with 25 ft. of connecting refrigerant lines); 95°F outdoor air temperature, 80°F db / 67°F wb entering evaporator air.

All ratings include the use of a blower time delay relay (TDR). All Lennox variable-speed furnaces and Air Handlers have time delay capabilities. Other Furnaces and Air Handlers may require an optional time delay relay (**58M81**) for field installation. See furnace or air handler specifications to determine if relay is needed.

Also see Expansion Valve Kit Usage Table.

AHRI SYSTEM MATCHES

NOTE - For the latest up-to-date system matches please visit the AHRI web site at <http://www.ahridirectory.org>

Model No.	Expansion Device	Capacity	SEER	EER	Coil or Air Handler	Furnace	AHRI Reference
SL18XC1-036-230	TXV	36000	17.5	14	CX35-60C	SLP98UH090XV60C	8551876
SL18XC1-036-230	TXV	36000	17.5	14	CX35-60C	SLP98UH110XV60C	8551877
SL18XC1-036-230	TXV	35800	15.5	12.5	CX35-60C		8551860
SL18XC1-036-230	TXV	34600	15.1	12.5	CX38-38B		10554888
SL18XC1-042-230	TXV	40500	16	13	C35-36B	EL180UH090E48B	8551879
SL18XC1-042-230	TXV	40500	16	13	C35-36B	EL180UH090XE48B	8551880
SL18XC1-042-230	TXV	40500	15.1	12.5	C35-36B	EL296UH045XV36B	8551881
SL18XC1-042-230	TXV	40500	15.1	12.5	C35-36B	EL296UH070XV36B	8551882
SL18XC1-042-230	TXV	40500	16	13	C35-36B	SL280UH090V36B	8551883
SL18XC1-042-230	TXV	40500	16	13	C35-36B	SL280UH090V48B	8551884
SL18XC1-042-230	TXV	40500	16	13	C35-36B	SL280UH090XV48B	8551885
SL18XC1-042-230	TXV	40500	15.1	12.5	C35-36B	SLP98UH070XV36B	8551886
SL18XC1-042-230	TXV	40500	15	12.5	C35-36B		8551878
SL18XC1-042-230	TXV	41000	16	13	C35-48B	EL180UH090E48B	8551888
SL18XC1-042-230	TXV	41000	16	13	C35-48B	EL180UH090XE48B	8551889
SL18XC1-042-230	TXV	40500	15.5	12.5	C35-48B	EL296UH045XV36B	8551890
SL18XC1-042-230	TXV	40500	15.1	12.5	C35-48B	EL296UH070XV36B	8551891
SL18XC1-042-230	TXV	41000	16	13	C35-48B	SL280UH090V36B	8551892
SL18XC1-042-230	TXV	41000	16	13	C35-48B	SL280UH090V48B	8551893
SL18XC1-042-230	TXV	41000	16	13	C35-48B	SL280UH090XV48B	8551894
SL18XC1-042-230	TXV	40500	15.1	12.5	C35-48B	SLP98UH070XV36B	8551895
SL18XC1-042-230	TXV	40500	15.1	12.5	C35-48B		8551887
SL18XC1-042-230	TXV	41000	16.5	13	C35-48C	EL180UH090E60C	8551897
SL18XC1-042-230	TXV	41000	16.5	13	C35-48C	EL180UH110E60C	8551898
SL18XC1-042-230	TXV	41000	16.5	13	C35-48C	EL180UH110XE60C	8551899
SL18XC1-042-230	TXV	41000	16	13	C35-48C	EL195UH090XE48C	8551900
SL18XC1-042-230	TXV	41500	16	13	C35-48C	EL195UH110XE60C	8551901
SL18XC1-042-230	TXV	41000	16	13	C35-48C	EL296UH090XE48C	8551902
SL18XC1-042-230	TXV	41000	16	13	C35-48C	EL296UH090XV36C	8551903
SL18XC1-042-230	TXV	41000	16	13	C35-48C	EL296UH090XV48C	8551904
SL18XC1-042-230	TXV	40500	16	13	C35-48C	EL296UH090XV60C	8551905
SL18XC1-042-230	TXV	41500	16	13	C35-48C	EL296UH110XE60C	8551906
SL18XC1-042-230	TXV	41000	16	13	C35-48C	EL296UH110XV48C	8551907
SL18XC1-042-230	TXV	41000	16	13	C35-48C	EL296UH110XV60C	8551908
SL18XC1-042-230	TXV	41500	16.5	13.5	C35-48C	SL280UH090V60C	8551909
SL18XC1-042-230	TXV	41500	16.5	13.5	C35-48C	SL280UH090XV60C	8551910
SL18XC1-042-230	TXV	41000	16	13	C35-48C	SL280UH110V60C	8551911
SL18XC1-042-230	TXV	41000	16	13	C35-48C	SL280UH110XV60C	8551912
SL18XC1-042-230	TXV	41000	16	13	C35-48C	SLP98UH090XV36C	8551913
SL18XC1-042-230	TXV	41000	16	13	C35-48C	SLP98UH090XV48C	8551914
SL18XC1-042-230	TXV	40500	16	13	C35-48C	SLP98UH090XV60C	8551915
SL18XC1-042-230	TXV	41000	16	13	C35-48C	SLP98UH110XV60C	8551916
SL18XC1-042-230	TXV	40500	15.1	12.5	C35-48C		8551896
SL18XC1-042-230	TXV	41500	16.5	13.5	C35-49C	EL180UH090E60C	8551918
SL18XC1-042-230	TXV	41500	16.5	13.5	C35-49C	EL180UH110E60C	8551919
SL18XC1-042-230	TXV	41500	16.5	13.5	C35-49C	EL180UH110XE60C	8551920
SL18XC1-042-230	TXV	41000	16.5	13	C35-49C	EL195UH090XE48C	8551921
SL18XC1-042-230	TXV	41500	16.5	13	C35-49C	EL195UH110XE60C	8551922
SL18XC1-042-230	TXV	41000	16.5	13	C35-49C	EL296UH090XE48C	8551923

NOTES:

TXV = Matched with Thermostatic Expansion Valve.

RFC = Matched with RFC metering device.

Ratings are AHRI Certified to AHRI Standard 210/240 (with 25 ft. of connecting refrigerant lines); 95°F outdoor air temperature, 80°F db / 67°F wb entering evaporator air.

All ratings include the use of a blower time delay relay (TDR). All Lennox variable-speed furnaces and Air Handlers have time delay capabilities. Other Furnaces and Air Handlers may require an optional time delay relay (**58M81**) for field installation. See furnace or air handler specifications to determine if relay is needed.

Also see Expansion Valve Kit Usage Table.

AHRI SYSTEM MATCHES

NOTE - For the latest up-to-date system matches please visit the AHRI web site at <http://www.ahridirectory.org>

Model No.	Expansion Device	Capacity	SEER	EER	Coil or Air Handler	Furnace	AHRI Reference
SL18XC1-042-230	TXV	41000	16	13	C35-49C	EL296UH090XV36C	8551924
SL18XC1-042-230	TXV	41000	16	13	C35-49C	EL296UH090XV48C	8551925
SL18XC1-042-230	TXV	41000	16.5	13	C35-49C	EL296UH090XV60C	8551926
SL18XC1-042-230	TXV	41500	16.5	13	C35-49C	EL296UH110XE60C	8551927
SL18XC1-042-230	TXV	41500	16.5	13	C35-49C	EL296UH110XV48C	8551928
SL18XC1-042-230	TXV	41500	16.5	13	C35-49C	EL296UH110XV60C	8551929
SL18XC1-042-230	TXV	41500	16.5	13	C35-49C	SL280UH090V60C	8551930
SL18XC1-042-230	TXV	41500	16.5	13	C35-49C	SL280UH090XV60C	8551931
SL18XC1-042-230	TXV	41500	16	13	C35-49C	SL280UH110V60C	8551932
SL18XC1-042-230	TXV	41500	16	13	C35-49C	SL280UH110XV60C	8551933
SL18XC1-042-230	TXV	41500	16	13	C35-49C	SL280UH110XV60C	8552087
SL18XC1-042-230	TXV	41000	16	13	C35-49C	SLP98UH090XV36C	8551935
SL18XC1-042-230	TXV	41000	16	13	C35-49C	SLP98UH090XV48C	8551936
SL18XC1-042-230	TXV	41000	16.5	13	C35-49C	SLP98UH090XV60C	8551937
SL18XC1-042-230	TXV	41500	16.5	13	C35-49C	SLP98UH110XV60C	8551938
SL18XC1-042-230	TXV	41000	15.1	12.5	C35-49C		8551917
SL18XC1-042-230	TXV	40500	16	13	C35-50/60C	EL180UH090E60C	8552089
SL18XC1-042-230	TXV	40500	16	13	C35-50/60C	EL180UH110E60C	8552090
SL18XC1-042-230	TXV	40500	16	13	C35-50/60C	EL180UH110XE60C	8552091
SL18XC1-042-230	TXV	40500	16	13	C35-50/60C	EL195UH090XE48C	8552092
SL18XC1-042-230	TXV	41000	16	13	C35-50/60C	EL195UH110XE60C	8552093
SL18XC1-042-230	TXV	40500	16	13	C35-50/60C	EL296UH090XE48C	8552094
SL18XC1-042-230	TXV	40500	15.5	12.5	C35-50/60C	EL296UH090XV36C	8552095
SL18XC1-042-230	TXV	40500	16	13	C35-50/60C	EL296UH090XV48C	8552096
SL18XC1-042-230	TXV	40500	16	13	C35-50/60C	EL296UH090XV60C	8552097
SL18XC1-042-230	TXV	41000	16	13	C35-50/60C	EL296UH110XE60C	8552098
SL18XC1-042-230	TXV	40500	16	13	C35-50/60C	EL296UH110XV48C	8552099
SL18XC1-042-230	TXV	40500	16	13	C35-50/60C	EL296UH110XV60C	8552100
SL18XC1-042-230	TXV	41000	16	13	C35-50/60C	SL280UH090V60C	8552101
SL18XC1-042-230	TXV	41000	16	13	C35-50/60C	SL280UH090XV60C	8552102
SL18XC1-042-230	TXV	40500	16	13	C35-50/60C	SL280UH110V60C	8552103
SL18XC1-042-230	TXV	40500	16	13	C35-50/60C	SL280UH110XV60C	8552104
SL18XC1-042-230	TXV	40500	15.5	12.5	C35-50/60C	SLP98UH090XV36C	8552107
SL18XC1-042-230	TXV	40500	16	13	C35-50/60C	SLP98UH090XV48C	8552108
SL18XC1-042-230	TXV	40500	16	13	C35-50/60C	SLP98UH090XV60C	8552109
SL18XC1-042-230	TXV	40500	16	13	C35-50/60C	SLP98UH110XV60C	8552110
SL18XC1-042-230	TXV	40500	14.5	12.5	C35-50/60C		8552088
SL18XC1-042-230	TXV	42000	17	14	C35-60C	EL180UH090E60C	8551939
SL18XC1-042-230	TXV	42000	17	13.5	C35-60C	EL180UH110E60C	8551940
SL18XC1-042-230	TXV	42000	17	13.5	C35-60C	EL180UH110XE60C	8551941
SL18XC1-042-230	TXV	42000	16.5	13.5	C35-60C	EL195UH090XE48C	8551942
SL18XC1-042-230	TXV	42000	16.5	13.5	C35-60C	EL195UH110XE60C	8551943
SL18XC1-042-230	TXV	42000	16.5	13.5	C35-60C	EL296UH090XE48C	8551944
SL18XC1-042-230	TXV	42000	16.5	13.5	C35-60C	EL296UH090XV36C	8551945
SL18XC1-042-230	TXV	42000	17	13.5	C35-60C	EL296UH090XV48C	8551946
SL18XC1-042-230	TXV	42000	17	14	C35-60C	EL296UH090XV60C	8551947
SL18XC1-042-230	TXV	42000	17	13.5	C35-60C	EL296UH110XE60C	8551948
SL18XC1-042-230	TXV	42000	17	14	C35-60C	EL296UH110XV60C	8551949
SL18XC1-042-230	TXV	42000	17	14	C35-60C	SL280UH090V60C	8551950

NOTES:

TXV = Matched with Thermostatic Expansion Valve.

RFC = Matched with RFC metering device.

Ratings are AHRI Certified to AHRI Standard 210/240 (with 25 ft. of connecting refrigerant lines); 95°F outdoor air temperature, 80°F db / 67°F wb entering evaporator air.

All ratings include the use of a blower time delay relay (TDR). All Lennox variable-speed furnaces and Air Handlers have time delay capabilities. Other Furnaces and Air Handlers may require an optional time delay relay (**58M81**) for field installation. See furnace or air handler specifications to determine if relay is needed.

Also see Expansion Valve Kit Usage Table.

AHRI SYSTEM MATCHES

NOTE - For the latest up-to-date system matches please visit the AHRI web site at <http://www.ahridirectory.org>

Model No.	Expansion Device	Capacity	SEER	EER	Coil or Air Handler	Furnace	AHRI Reference
SL18XC1-042-230	TXV	42000	17	14	C35-60C	SL280UH090XV60C	8551951
SL18XC1-042-230	TXV	42000	16.5	13.5	C35-60C	SL280UH110V60C	8551952
SL18XC1-042-230	TXV	42000	16.5	13.5	C35-60C	SL280UH110XV60C	8551953
SL18XC1-042-230	TXV	42000	16.5	13.5	C35-60C	SLP98UH090XV36C	8551956
SL18XC1-042-230	TXV	42000	16.5	13.5	C35-60C	SLP98UH090XV48C	8551957
SL18XC1-042-230	TXV	42000	16.5	14	C35-60C	SLP98UH090XV60C	8551958
SL18XC1-042-230	TXV	42000	17	14	C35-60C	SLP98UH110XV60C	8551959
SL18XC1-042-230	TXV	42000	17	13.5	C35-60D	EL180UH135E60D	8551961
SL18XC1-042-230	TXV	42000	16.5	13	C35-60D	EL195UH135XE60D	8551962
SL18XC1-042-230	TXV	42000	16.5	13	C35-60D	EL296UH135XE60D	8551963
SL18XC1-042-230	TXV	42000	16.5	13.5	C35-60D	EL296UH135XV60D	8551964
SL18XC1-042-230	TXV	42000	17	14	C35-60D	SL280UH135V60D	8551965
SL18XC1-042-230	TXV	42000	16.5	13.5	C35-60D	SLP98UH135XV60D	8551968
SL18XC1-042-230	TXV	41000	15.1	12.5	C35-60D		8551960
SL18XC1-042-230	TXV	41500	16.5	13	CBA27UHE-042		10259449
SL18XC1-042-230	TXV	42000	16.5	13	CBA27UHE-048		10259450
SL18XC1-042-230	TXV	41500	16.5	13	CBX27UH-042		8112456
SL18XC1-042-230	TXV	41500	16.5	13	CBX27UH-048		8112457
SL18XC1-042-230	TXV	39000	15	12.5	CBX32M-036		8112458
SL18XC1-042-230	TXV	39500	15.1	12.5	CBX32M-042		8112459
SL18XC1-042-230	TXV	41000	16	13	CBX32M-048		8112460
SL18XC1-042-230	TXV	39000	15.5	12.5	CBX32MV-036		8112461
SL18XC1-042-230	TXV	40500	16.5	13.5	CBX32MV-048		8112462
SL18XC1-042-230	TXV	39000	16	13	CBX40UHV-036		8112463
SL18XC1-042-230	TXV	40500	16.5	13	CBX40UHV-042		8112464
SL18XC1-042-230	TXV	40500	16.5	13.5	CBX40UHV-048		8112465
SL18XC1-042-230	TXV	39500	16	13	CH23-51	EL180UH090E60C	8112466
SL18XC1-042-230	TXV	39000	16	13	CH23-51	EL180UH110E60C	8112467
SL18XC1-042-230	TXV	39000	16	13	CH23-51	EL180UH110XE60C	8112468
SL18XC1-042-230	TXV	39000	15.5	12.5	CH23-51	EL195UH090XE48C	8112469
SL18XC1-042-230	TXV	39500	15.5	12.5	CH23-51	EL195UH110XE60C	8112470
SL18XC1-042-230	TXV	39000	15.1	12.5	CH23-51	EL296UH045XV36B	8112471
SL18XC1-042-230	TXV	39000	15.5	12.5	CH23-51	EL296UH090XE48C	8112472
SL18XC1-042-230	TXV	39000	15.5	12.5	CH23-51	EL296UH090XV36C	8112473
SL18XC1-042-230	TXV	39000	15.5	12.5	CH23-51	EL296UH090XV48C	8112474
SL18XC1-042-230	TXV	39000	15.5	12.5	CH23-51	EL296UH090XV60C	8112475
SL18XC1-042-230	TXV	39500	15.5	12.5	CH23-51	EL296UH110XE60C	8112476
SL18XC1-042-230	TXV	39000	15.5	12.5	CH23-51	EL296UH110XV48C	8112477
SL18XC1-042-230	TXV	39500	15.5	12.5	CH23-51	EL296UH110XV60C	8112478
SL18XC1-042-230	TXV	39500	16	13	CH23-51	SL280UH090V60C	8112479
SL18XC1-042-230	TXV	39500	16	13	CH23-51	SL280UH090XV60C	8112480
SL18XC1-042-230	TXV	39000	15.5	12.5	CH23-51	SL280UH110V60C	8112481
SL18XC1-042-230	TXV	39000	15.5	12.5	CH23-51	SL280UH110XV60C	8112482
SL18XC1-042-230	TXV	39000	15.5	12.5	CH23-51	SLP98UH090XV36C	8112483
SL18XC1-042-230	TXV	39000	15.5	12.5	CH23-51	SLP98UH090XV48C	8112484
SL18XC1-042-230	TXV	39000	15.5	12.5	CH23-51	SLP98UH090XV60C	8112485
SL18XC1-042-230	TXV	39500	15.5	12.5	CH23-51	SLP98UH110XV60C	8112486
SL18XC1-042-230	TXV	40000	16	13	CH23-65	EL180UH090E60C	8112487
SL18XC1-042-230	TXV	40000	16	13	CH23-65	EL180UH110E60C	8112488

NOTES:

TXV = Matched with Thermostatic Expansion Valve.

RFC = Matched with RFC metering device.

Ratings are AHRI Certified to AHRI Standard 210/240 (with 25 ft. of connecting refrigerant lines); 95°F outdoor air temperature, 80°F db / 67°F wb entering evaporator air.

All ratings include the use of a blower time delay relay (TDR). All Lennox variable-speed furnaces and Air Handlers have time delay capabilities. Other Furnaces and Air Handlers may require an optional time delay relay (**58M81**) for field installation. See furnace or air handler specifications to determine if relay is needed.

Also see Expansion Valve Kit Usage Table.

AHRI SYSTEM MATCHES

NOTE - For the latest up-to-date system matches please visit the AHRI web site at <http://www.ahridirectory.org>

Model No.	Expansion Device	Capacity	SEER	EER	Coil or Air Handler	Furnace	AHRI Reference
SL18XC1-042-230	TXV	40000	16	13	CH23-65	EL180UH110XE60C	8112489
SL18XC1-042-230	TXV	39500	16	13	CH23-65	EL195UH090XE48C	8112490
SL18XC1-042-230	TXV	40000	16	13	CH23-65	EL195UH110XE60C	8112491
SL18XC1-042-230	TXV	39500	15.1	12.5	CH23-65	EL296UH045XV36B	8112492
SL18XC1-042-230	TXV	39500	16	13	CH23-65	EL296UH090XE48C	8112493
SL18XC1-042-230	TXV	39500	15.5	12.5	CH23-65	EL296UH090XV36C	8112494
SL18XC1-042-230	TXV	39500	16	13	CH23-65	EL296UH090XV48C	8112495
SL18XC1-042-230	TXV	39500	16	13	CH23-65	EL296UH090XV60C	8112496
SL18XC1-042-230	TXV	40000	16	13	CH23-65	EL296UH110XE60C	8112497
SL18XC1-042-230	TXV	40000	16	13	CH23-65	EL296UH110XV48C	8112498
SL18XC1-042-230	TXV	40000	16	13	CH23-65	EL296UH110XV60C	8112499
SL18XC1-042-230	TXV	40000	16	13	CH23-65	EL296UH135XV60D	8112500
SL18XC1-042-230	TXV	40000	16	13	CH23-65	SL280UH090V60C	8112501
SL18XC1-042-230	TXV	40000	16	13	CH23-65	SL280UH090XV60C	8112502
SL18XC1-042-230	TXV	40000	16	13	CH23-65	SL280UH110V60C	8112503
SL18XC1-042-230	TXV	40000	16	13	CH23-65	SL280UH110XV60C	8112504
SL18XC1-042-230	TXV	40000	16	13	CH23-65	SL280UH135V60D	8112505
SL18XC1-042-230	TXV	39500	15.5	12.5	CH23-65	SLP98UH090XV36C	8112506
SL18XC1-042-230	TXV	39500	16	13	CH23-65	SLP98UH090XV48C	8112507
SL18XC1-042-230	TXV	39500	16	13	CH23-65	SLP98UH090XV60C	8112508
SL18XC1-042-230	TXV	40000	16	13	CH23-65	SLP98UH110XV60C	8112509
SL18XC1-042-230	TXV	40000	16	13	CH23-65	SLP98UH135XV60D	8112510
SL18XC1-042-230	TXV	39500	14.5	12.2	CH23-65		8112511
SL18XC1-042-230	TXV	41500	16.5	13.5	CH23-68	EL180UH090E60C	8112512
SL18XC1-042-230	TXV	41500	16.5	13.5	CH23-68	EL180UH110E60C	8112513
SL18XC1-042-230	TXV	41500	16.5	13.5	CH23-68	EL180UH110XE60C	8112514
SL18XC1-042-230	TXV	41000	16.5	13	CH23-68	EL195UH090XE48C	8112515
SL18XC1-042-230	TXV	41500	16.5	13	CH23-68	EL195UH110XE60C	8112516
SL18XC1-042-230	TXV	41000	16	13	CH23-68	EL296UH045XV36B	8112517
SL18XC1-042-230	TXV	41000	16.5	13	CH23-68	EL296UH090XE48C	8112518
SL18XC1-042-230	TXV	41000	16.5	13	CH23-68	EL296UH090XV36C	8112519
SL18XC1-042-230	TXV	41000	16.5	13	CH23-68	EL296UH090XV48C	8112520
SL18XC1-042-230	TXV	41000	16.5	13	CH23-68	EL296UH090XV60C	8112521
SL18XC1-042-230	TXV	41500	16.5	13	CH23-68	EL296UH110XE60C	8112522
SL18XC1-042-230	TXV	41500	16.5	13	CH23-68	EL296UH110XV60C	8112523
SL18XC1-042-230	TXV	41500	16.5	13	CH23-68	EL296UH135XV60D	8112524
SL18XC1-042-230	TXV	41500	16.5	13	CH23-68	SL280UH090V60C	8112525
SL18XC1-042-230	TXV	41500	16.5	13	CH23-68	SL280UH090XV60C	8112526
SL18XC1-042-230	TXV	41500	16.5	13	CH23-68	SL280UH110V60C	8112527
SL18XC1-042-230	TXV	41500	16.5	13	CH23-68	SL280UH110XV60C	8112528
SL18XC1-042-230	TXV	41500	17	13.5	CH23-68	SL280UH135V60D	8112529
SL18XC1-042-230	TXV	41000	16.5	13	CH23-68	SLP98UH090XV36C	8112530
SL18XC1-042-230	TXV	41000	16.5	13	CH23-68	SLP98UH090XV48C	8112531
SL18XC1-042-230	TXV	41000	16.5	13	CH23-68	SLP98UH090XV60C	8112532
SL18XC1-042-230	TXV	41500	16.5	13	CH23-68	SLP98UH110XV60C	8112533
SL18XC1-042-230	TXV	41500	16.5	13	CH23-68	SLP98UH135XV60D	8112534
SL18XC1-042-230	TXV	41000	15.1	12.5	CH23-68		8112535
SL18XC1-042-230	TXV	39500	15.5	12.5	CH33-42	EL180UH090E48B	8112536
SL18XC1-042-230	TXV	39500	15.5	12.5	CH33-42	EL180UH090XE48B	8112537

NOTES:

TXV = Matched with Thermostatic Expansion Valve.

RFC = Matched with RFC metering device.

Ratings are AHRI Certified to AHRI Standard 210/240 (with 25 ft. of connecting refrigerant lines); 95°F outdoor air temperature, 80°F db / 67°F wb entering evaporator air.

All ratings include the use of a blower time delay relay (TDR). All Lennox variable-speed furnaces and Air Handlers have time delay capabilities. Other Furnaces and Air Handlers may require an optional time delay relay (**58M81**) for field installation. See furnace or air handler specifications to determine if relay is needed.

Also see Expansion Valve Kit Usage Table.

AHRI SYSTEM MATCHES

NOTE - For the latest up-to-date system matches please visit the AHRI web site at <http://www.ahridirectory.org>

Model No.	Expansion Device	Capacity	SEER	EER	Coil or Air Handler	Furnace	AHRI Reference
SL18XC1-042-230	TXV	39500	15.1	12.5	CH33-42	EL296UH045XV36B	8112538
SL18XC1-042-230	TXV	39500	15	12.5	CH33-42	EL296UH070XV36B	8112539
SL18XC1-042-230	TXV	40000	15.5	12.5	CH33-42	SL280UH090V36B	8112540
SL18XC1-042-230	TXV	40000	15.5	12.5	CH33-42	SL280UH090V48B	8112541
SL18XC1-042-230	TXV	40000	15.5	12.5	CH33-42	SL280UH090XV48B	8112542
SL18XC1-042-230	TXV	39500	15	12.5	CH33-42	SLP98UH070XV36B	8112543
SL18XC1-042-230	TXV	39500	14.5	12.2	CH33-42		8112544
SL18XC1-042-230	TXV	41500	16.5	13	CH33-43	EL180UH090E48B	8112545
SL18XC1-042-230	TXV	41500	16.5	13	CH33-43	EL180UH090XE48B	8112546
SL18XC1-042-230	TXV	41500	15.5	12.5	CH33-43	EL296UH045XV36B	8112547
SL18XC1-042-230	TXV	41500	15.5	12.5	CH33-43	EL296UH070XV36B	8112548
SL18XC1-042-230	TXV	41500	16.5	13	CH33-43	SL280UH090V36B	8112549
SL18XC1-042-230	TXV	42000	16.5	13	CH33-43	SL280UH090V48B	8112550
SL18XC1-042-230	TXV	42000	16.5	13	CH33-43	SL280UH090XV48B	8112551
SL18XC1-042-230	TXV	41500	15.5	12.5	CH33-43	SLP98UH070XV36B	8112552
SL18XC1-042-230	TXV	41000	16.5	13	CH33-43C	CBWMV-60C-100	8112553
SL18XC1-042-230	TXV	41000	16.5	13	CH33-43C	EL180UH090E60C	8112554
SL18XC1-042-230	TXV	40500	16	13	CH33-43C	EL180UH110E60C	8112555
SL18XC1-042-230	TXV	40500	16	13	CH33-43C	EL180UH110XE60C	8112556
SL18XC1-042-230	TXV	40500	16	13	CH33-43C	EL195UH090XE48C	8112557
SL18XC1-042-230	TXV	41000	16	13	CH33-43C	EL195UH110XE60C	8112558
SL18XC1-042-230	TXV	40500	16	13	CH33-43C	EL296UH090XE48C	8112559
SL18XC1-042-230	TXV	41000	16	13	CH33-43C	EL296UH090XV36C	8112560
SL18XC1-042-230	TXV	41000	16	13	CH33-43C	EL296UH090XV48C	8112561
SL18XC1-042-230	TXV	40500	16.5	13	CH33-43C	EL296UH090XV60C	8112562
SL18XC1-042-230	TXV	41000	16	13	CH33-43C	EL296UH110XE60C	8112563
SL18XC1-042-230	TXV	41000	16.5	13	CH33-43C	EL296UH110XV48C	8112564
SL18XC1-042-230	TXV	41000	16.5	13	CH33-43C	EL296UH110XV60C	8112565
SL18XC1-042-230	TXV	41500	16.5	13.5	CH33-43C	SL280UH090V60C	8112566
SL18XC1-042-230	TXV	41500	16.5	13.5	CH33-43C	SL280UH090XV60C	8112567
SL18XC1-042-230	TXV	41000	16	13	CH33-43C	SL280UH110V60C	8112568
SL18XC1-042-230	TXV	41000	16	13	CH33-43C	SL280UH110XV60C	8112569
SL18XC1-042-230	TXV	41000	16	13	CH33-43C	SLP98UH090XV36C	8112570
SL18XC1-042-230	TXV	41000	16	13	CH33-43C	SLP98UH090XV48C	8112571
SL18XC1-042-230	TXV	40500	16.5	13	CH33-43C	SLP98UH090XV60C	8112572
SL18XC1-042-230	TXV	41000	16.5	13	CH33-43C	SLP98UH110XV60C	8112573
SL18XC1-042-230	TXV	40500	15.1	12.5	CH33-43C		8112574
SL18XC1-042-230	TXV	40000	16	13	CH33-44/48	EL180UH090E48B	8112575
SL18XC1-042-230	TXV	40000	16	13	CH33-44/48	EL180UH090XE48B	8112576
SL18XC1-042-230	TXV	40000	15.1	12.5	CH33-44/48	EL296UH045XV36B	8112577
SL18XC1-042-230	TXV	40000	15.1	12.5	CH33-44/48	EL296UH070XV36B	8112578
SL18XC1-042-230	TXV	40500	16	13	CH33-44/48	SL280UH090V36B	8112579
SL18XC1-042-230	TXV	40500	16	13	CH33-44/48	SL280UH090V48B	8112580
SL18XC1-042-230	TXV	40500	16	13	CH33-44/48	SL280UH090XV48B	8112581
SL18XC1-042-230	TXV	40000	15.1	12.5	CH33-44/48	SLP98UH070XV36B	8112582
SL18XC1-042-230	TXV	40000	15	12.5	CH33-44/48		8112583
SL18XC1-042-230	TXV	40500	16	13	CH33-48C	EL180UH090E60C	8112584
SL18XC1-042-230	TXV	40500	16	13	CH33-48C	EL180UH110E60C	8112585
SL18XC1-042-230	TXV	40500	16	13	CH33-48C	EL180UH110XE60C	8112586

NOTES:

TXV = Matched with Thermostatic Expansion Valve.

RFC = Matched with RFC metering device.

Ratings are AHRI Certified to AHRI Standard 210/240 (with 25 ft. of connecting refrigerant lines); 95°F outdoor air temperature, 80°F db / 67°F wb entering evaporator air.

All ratings include the use of a blower time delay relay (TDR). All Lennox variable-speed furnaces and Air Handlers have time delay capabilities. Other Furnaces and Air Handlers may require an optional time delay relay (**58M81**) for field installation. See furnace or air handler specifications to determine if relay is needed.

Also see Expansion Valve Kit Usage Table.

AHRI SYSTEM MATCHES

NOTE - For the latest up-to-date system matches please visit the AHRI web site at <http://www.ahridirectory.org>

Model No.	Expansion Device	Capacity	SEER	EER	Coil or Air Handler	Furnace	AHRI Reference
SL18XC1-042-230	TXV	40000	16	13	CH33-48C	EL195UH090XE48C	8112587
SL18XC1-042-230	TXV	41000	16	13	CH33-48C	EL195UH110XE60C	8112588
SL18XC1-042-230	TXV	40000	16	13	CH33-48C	EL296UH090XE48C	8112589
SL18XC1-042-230	TXV	40500	15.5	12.5	CH33-48C	EL296UH090XV36C	8112590
SL18XC1-042-230	TXV	40500	16	13	CH33-48C	EL296UH090XV48C	8112591
SL18XC1-042-230	TXV	40500	16	13	CH33-48C	EL296UH090XV60C	8112592
SL18XC1-042-230	TXV	41000	16	13	CH33-48C	EL296UH110XE60C	8112593
SL18XC1-042-230	TXV	40500	16	13	CH33-48C	EL296UH110XV48C	8112594
SL18XC1-042-230	TXV	40500	16	13	CH33-48C	EL296UH110XV60C	8112595
SL18XC1-042-230	TXV	41000	16	13	CH33-48C	SL280UH090V60C	8112596
SL18XC1-042-230	TXV	41000	16	13	CH33-48C	SL280UH090XV60C	8112597
SL18XC1-042-230	TXV	40500	16	13	CH33-48C	SL280UH110V60C	8112598
SL18XC1-042-230	TXV	40500	16	13	CH33-48C	SL280UH110XV60C	8112599
SL18XC1-042-230	TXV	40500	15.5	12.5	CH33-48C	SLP98UH090XV36C	8112600
SL18XC1-042-230	TXV	40500	16	13	CH33-48C	SLP98UH090XV48C	8112601
SL18XC1-042-230	TXV	40500	16	13	CH33-48C	SLP98UH090XV60C	8112602
SL18XC1-042-230	TXV	40500	16	13	CH33-48C	SLP98UH110XV60C	8112603
SL18XC1-042-230	TXV	40000	15	12.5	CH33-48C		8112604
SL18XC1-042-230	TXV	41500	16.5	13	CH33-49	CBWMV-60C-100	8112605
SL18XC1-042-230	TXV	41500	16.5	13	CH33-49	EL180UH090E60C	8112606
SL18XC1-042-230	TXV	41500	16.5	13	CH33-49	EL180UH110E60C	8112607
SL18XC1-042-230	TXV	41500	16.5	13	CH33-49	EL180UH110XE60C	8112608
SL18XC1-042-230	TXV	41000	16.5	13	CH33-49	EL195UH090XE48C	8112609
SL18XC1-042-230	TXV	41500	16.5	13	CH33-49	EL195UH110XE60C	8112610
SL18XC1-042-230	TXV	41000	16.5	13	CH33-49	EL296UH090XE48C	8112611
SL18XC1-042-230	TXV	41000	16	13	CH33-49	EL296UH090XV36C	8112612
SL18XC1-042-230	TXV	41500	16.5	13	CH33-49	EL296UH090XV48C	8112613
SL18XC1-042-230	TXV	41000	16.5	13	CH33-49	EL296UH090XV60C	8112614
SL18XC1-042-230	TXV	41500	16.5	13	CH33-49	EL296UH110XE60C	8112615
SL18XC1-042-230	TXV	41500	16.5	13	CH33-49	EL296UH110XV48C	8112616
SL18XC1-042-230	TXV	41500	16.5	13	CH33-49	EL296UH110XV60C	8112617
SL18XC1-042-230	TXV	42000	16.5	13	CH33-49	SL280UH090V60C	8112618
SL18XC1-042-230	TXV	42000	16.5	13	CH33-49	SL280UH090XV60C	8112619
SL18XC1-042-230	TXV	41500	16	13	CH33-49	SL280UH110V60C	8112620
SL18XC1-042-230	TXV	41500	16	13	CH33-49	SL280UH110XV60C	8112621
SL18XC1-042-230	TXV	41000	16	13	CH33-49	SLP98UH090XV36C	8112622
SL18XC1-042-230	TXV	41500	16.5	13	CH33-49	SLP98UH090XV48C	8112623
SL18XC1-042-230	TXV	41000	16.5	13	CH33-49	SLP98UH090XV60C	8112624
SL18XC1-042-230	TXV	41500	16.5	13	CH33-49	SLP98UH110XV60C	8112625
SL18XC1-042-230	TXV	41000	15.1	12.5	CH33-49		8112626
SL18XC1-042-230	TXV	41000	16.5	13	CH33-50/60C	EL180UH090E60C	8112627
SL18XC1-042-230	TXV	41000	16.5	13	CH33-50/60C	EL180UH110E60C	8112628
SL18XC1-042-230	TXV	41000	16.5	13	CH33-50/60C	EL180UH110XE60C	8112629
SL18XC1-042-230	TXV	40500	16	13	CH33-50/60C	EL195UH090XE48C	8112630
SL18XC1-042-230	TXV	41500	16	13	CH33-50/60C	EL195UH110XE60C	8112631
SL18XC1-042-230	TXV	40500	16	13	CH33-50/60C	EL296UH090XE48C	8112632
SL18XC1-042-230	TXV	41000	16	13	CH33-50/60C	EL296UH090XV36C	8112633
SL18XC1-042-230	TXV	41000	16	13	CH33-50/60C	EL296UH090XV48C	8112634
SL18XC1-042-230	TXV	41000	16	13	CH33-50/60C	EL296UH090XV60C	8112635

NOTES:

TXV = Matched with Thermostatic Expansion Valve.

RFC = Matched with RFC metering device.

Ratings are AHRI Certified to AHRI Standard 210/240 (with 25 ft. of connecting refrigerant lines); 95°F outdoor air temperature, 80°F db / 67°F wb entering evaporator air.

All ratings include the use of a blower time delay relay (TDR). All Lennox variable-speed furnaces and Air Handlers have time delay capabilities. Other Furnaces and Air Handlers may require an optional time delay relay (**58M81**) for field installation. See furnace or air handler specifications to determine if relay is needed.

Also see Expansion Valve Kit Usage Table.

AHRI SYSTEM MATCHES

NOTE - For the latest up-to-date system matches please visit the AHRI web site at <http://www.ahridirectory.org>

Model No.	Expansion Device	Capacity	SEER	EER	Coil or Air Handler	Furnace	AHRI Reference
SL18XC1-042-230	TXV	41500	16	13	CH33-50/60C	EL296UH110XE60C	8112636
SL18XC1-042-230	TXV	41500	16	13	CH33-50/60C	EL296UH110XV48C	8112637
SL18XC1-042-230	TXV	41500	16	13	CH33-50/60C	EL296UH110XV60C	8112638
SL18XC1-042-230	TXV	41500	16.5	13	CH33-50/60C	SL280UH090V60C	8112639
SL18XC1-042-230	TXV	41500	16.5	13	CH33-50/60C	SL280UH090XV60C	8112640
SL18XC1-042-230	TXV	41000	16	13	CH33-50/60C	SL280UH110V60C	8112641
SL18XC1-042-230	TXV	41000	16	13	CH33-50/60C	SL280UH110XV60C	8112642
SL18XC1-042-230	TXV	41000	16	13	CH33-50/60C	SLP98UH090XV36C	8112643
SL18XC1-042-230	TXV	41000	16	13	CH33-50/60C	SLP98UH090XV48C	8112644
SL18XC1-042-230	TXV	41000	16	13	CH33-50/60C	SLP98UH090XV60C	8112645
SL18XC1-042-230	TXV	41500	16	13	CH33-50/60C	SLP98UH110XV60C	8112646
SL18XC1-042-230	TXV	41000	15.1	12.5	CH33-50/60C		8112647
SL18XC1-042-230	TXV	41500	16.5	13	CH35-42B	EL180UH090E48B	8112648
SL18XC1-042-230	TXV	41500	16	13	CH35-42B	EL296UH045XV36B	8112649
SL18XC1-042-230	TXV	42000	16.5	13	CH35-42B	SL280UH090V36B	8112650
SL18XC1-042-230	TXV	42000	16.5	13	CH35-42B	SL280UH090V48B	8112652
SL18XC1-042-230	TXV	41500	15.5	12.5	CH35-42B	SLP98UH070XV36B	8112653
SL18XC1-042-230	TXV	41500	15.5	12.5	CH35-42B		8112654
SL18XC1-042-230	TXV	41000	16.5	13	CH35-42C	EL180UH090E60C	8112655
SL18XC1-042-230	TXV	41000	16.5	13	CH35-42C	EL180UH110E60C	8112656
SL18XC1-042-230	TXV	40500	16	13	CH35-42C	EL195UH090XE48C	8112657
SL18XC1-042-230	TXV	41500	16	13	CH35-42C	EL195UH110XE60C	8112658
SL18XC1-042-230	TXV	40500	16	13	CH35-42C	EL296UH090XE48C	8112659
SL18XC1-042-230	TXV	41500	16	13	CH35-42C	EL296UH110XE60C	8112661
SL18XC1-042-230	TXV	41000	16.5	13	CH35-42C	EL296UH110XV48C	8112660
SL18XC1-042-230	TXV	41500	16.5	13.5	CH35-42C	SL280UH090V60C	8112662
SL18XC1-042-230	TXV	41000	16	13	CH35-42C	SL280UH110V60C	8112663
SL18XC1-042-230	TXV	41000	16	13	CH35-42C	SLP98UH090XV36C	8112664
SL18XC1-042-230	TXV	41000	16.5	13	CH35-42C	SLP98UH090XV48C	8112665
SL18XC1-042-230	TXV	41000	16.5	13	CH35-42C	SLP98UH090XV60C	8112666
SL18XC1-042-230	TXV	41000	16.5	13	CH35-42C	SLP98UH110XV60C	8112667
SL18XC1-042-230	TXV	40500	15.1	12.5	CH35-42C		8112668
SL18XC1-042-230	TXV	40500	16	13	CH35-48B	EL180UH090E48B	8112669
SL18XC1-042-230	TXV	40500	15.5	12.5	CH35-48B	EL296UH045XV36B	8112670
SL18XC1-042-230	TXV	40500	16	13	CH35-48B	SL280UH090V36B	8112671
SL18XC1-042-230	TXV	41000	16	13	CH35-48B	SL280UH090V48B	8112673
SL18XC1-042-230	TXV	40500	15.5	12.5	CH35-48B	SLP98UH070XV36B	8112674
SL18XC1-042-230	TXV	40500	15	12.5	CH35-48B		8112675
SL18XC1-042-230	TXV	41000	16	13	CH35-48C	EL180UH090E60C	8112676
SL18XC1-042-230	TXV	40500	16	13	CH35-48C	EL180UH110E60C	8112677
SL18XC1-042-230	TXV	40500	16	13	CH35-48C	EL195UH090XE48C	8112678
SL18XC1-042-230	TXV	41000	16	13	CH35-48C	EL195UH110XE60C	8112679
SL18XC1-042-230	TXV	40500	16	13	CH35-48C	EL296UH090XE48C	8112680
SL18XC1-042-230	TXV	41000	16	13	CH35-48C	EL296UH110XE60C	8112682
SL18XC1-042-230	TXV	41000	16	13	CH35-48C	EL296UH110XV48C	8112681
SL18XC1-042-230	TXV	41000	16	13	CH35-48C	SL280UH090V60C	8112683
SL18XC1-042-230	TXV	41000	16	13	CH35-48C	SL280UH110V60C	8112684
SL18XC1-042-230	TXV	40500	16	13	CH35-48C	SLP98UH090XV36C	8112685
SL18XC1-042-230	TXV	41000	16	13	CH35-48C	SLP98UH090XV48C	8112686

NOTES:

TXV = Matched with Thermostatic Expansion Valve.

RFC = Matched with RFC metering device.

Ratings are AHRI Certified to AHRI Standard 210/240 (with 25 ft. of connecting refrigerant lines); 95°F outdoor air temperature, 80°F db / 67°F wb entering evaporator air.

All ratings include the use of a blower time delay relay (TDR). All Lennox variable-speed furnaces and Air Handlers have time delay capabilities. Other Furnaces and Air Handlers may require an optional time delay relay (**58M81**) for field installation. See furnace or air handler specifications to determine if relay is needed.

Also see Expansion Valve Kit Usage Table.

AHRI SYSTEM MATCHES

NOTE - For the latest up-to-date system matches please visit the AHRI web site at <http://www.ahridirectory.org>

Model No.	Expansion Device	Capacity	SEER	EER	Coil or Air Handler	Furnace	AHRI Reference
SL18XC1-042-230	TXV	40500	16	13	CH35-48C	SLP98UH090XV60C	8112687
SL18XC1-042-230	TXV	41000	16	13	CH35-48C	SLP98UH110XV60C	8112688
SL18XC1-042-230	TXV	40500	15	12.5	CH35-48C		8112689
SL18XC1-042-230	TXV	41500	16.5	13	CH35-51C	EL180UH090E60C	8112690
SL18XC1-042-230	TXV	41500	16.5	13	CH35-51C	EL180UH110E60C	8112691
SL18XC1-042-230	TXV	41000	16.5	13	CH35-51C	EL195UH090XE48C	8112692
SL18XC1-042-230	TXV	41500	16.5	13	CH35-51C	EL195UH110XE60C	8112693
SL18XC1-042-230	TXV	41000	16.5	13	CH35-51C	EL296UH090XE48C	8112694
SL18XC1-042-230	TXV	41500	16.5	13	CH35-51C	EL296UH110XE60C	8112696
SL18XC1-042-230	TXV	41500	16.5	13	CH35-51C	EL296UH110XV48C	8112695
SL18XC1-042-230	TXV	42000	16.5	13	CH35-51C	SL280UH090V60C	8112697
SL18XC1-042-230	TXV	41500	16.5	13	CH35-51C	SL280UH110V60C	8112698
SL18XC1-042-230	TXV	41500	16	13	CH35-51C	SLP98UH090XV36C	8112699
SL18XC1-042-230	TXV	41500	16.5	13	CH35-51C	SLP98UH090XV48C	8112700
SL18XC1-042-230	TXV	41000	16.5	13	CH35-51C	SLP98UH090XV60C	8112701
SL18XC1-042-230	TXV	41500	16.5	13	CH35-51C	SLP98UH110XV60C	8112702
SL18XC1-042-230	TXV	41000	15.1	12.5	CH35-51C		8112703
SL18XC1-042-230	TXV	39500	15.5	12.5	CR33-48B	EL180DF090E48B	8112877
SL18XC1-042-230	TXV	39500	15.1	12.5	CR33-48B	EL296DF045XV36B	8112878
SL18XC1-042-230	TXV	39500	15.1	12.5	CR33-48B	EL296DF070XV48B	8112879
SL18XC1-042-230	TXV	40000	15.5	12.5	CR33-48B	SL280DF090V48B	8112880
SL18XC1-042-230	TXV	39500	15.1	12.5	CR33-48B	SLP98DF070XV36B	8112881
SL18XC1-042-230	TXV	39500	14.5	12.2	CR33-48B		8112882
SL18XC1-042-230	TXV	39500	15.5	12.5	CR33-48C	EL180DF110E60C	8112883
SL18XC1-042-230	TXV	40000	15.5	12.5	CR33-48C	EL296DF090XV60C	8112884
SL18XC1-042-230	TXV	40000	15.5	12.5	CR33-48C	EL296DF110XV60C	8112885
SL18XC1-042-230	TXV	40000	16	13	CR33-48C	SL280DF090V60C	8112886
SL18XC1-042-230	TXV	40000	16	13	CR33-48C	SL280DF110V60C	8112887
SL18XC1-042-230	TXV	39500	15.5	12.5	CR33-48C	SLP98DF090XV36C	8112888
SL18XC1-042-230	TXV	40000	15.5	12.5	CR33-48C	SLP98DF090XV48C	8112889
SL18XC1-042-230	TXV	40000	15.5	12.5	CR33-48C	SLP98DF090XV60C	8112890
SL18XC1-042-230	TXV	40000	15.5	12.5	CR33-48C	SLP98DF110XV60C	8112891
SL18XC1-042-230	TXV	39500	14.5	12.2	CR33-48C		8112892
SL18XC1-042-230	TXV	40000	16	13	CR33-50/60	EL180DF110E60C	8112704
SL18XC1-042-230	TXV	40000	16	13	CR33-50/60	EL296DF090XV60C	8112705
SL18XC1-042-230	TXV	40500	16	13	CR33-50/60	EL296DF110XV60C	8112706
SL18XC1-042-230	TXV	40000	16	13	CR33-50/60	SL280DF090V60C	8112707
SL18XC1-042-230	TXV	40000	16.5	13	CR33-50/60	SL280DF110V60C	8112708
SL18XC1-042-230	TXV	40000	15.5	12.5	CR33-50/60	SLP98DF090XV36C	8112709
SL18XC1-042-230	TXV	40000	16	13	CR33-50/60	SLP98DF090XV48C	8112710
SL18XC1-042-230	TXV	40000	16	13	CR33-50/60	SLP98DF090XV60C	8112711
SL18XC1-042-230	TXV	40500	16	13	CR33-50/60	SLP98DF110XV60C	8112712
SL18XC1-042-230	TXV	39500	14.5	12.2	CR33-50/60		8112713
SL18XC1-042-230	TXV	39500	14.5	12.2	CR33-60		8112714
SL18XC1-042-230	TXV	40500	16	13	CX35-36B	EL180UH090E48B	8551972
SL18XC1-042-230	TXV	40500	16	13	CX35-36B	EL180UH090XE48B	8551973
SL18XC1-042-230	TXV	40500	15.1	12.5	CX35-36B	EL296UH045XV36B	8551974
SL18XC1-042-230	TXV	40500	15.1	12.5	CX35-36B	EL296UH070XV36B	8551975
SL18XC1-042-230	TXV	40500	16	13	CX35-36B	SL280UH090V36B	8551976

NOTES:

TXV = Matched with Thermostatic Expansion Valve.

RFC = Matched with RFC metering device.

Ratings are AHRI Certified to AHRI Standard 210/240 (with 25 ft. of connecting refrigerant lines); 95°F outdoor air temperature, 80°F db / 67°F wb entering evaporator air.

All ratings include the use of a blower time delay relay (TDR). All Lennox variable-speed furnaces and Air Handlers have time delay capabilities. Other Furnaces and Air Handlers may require an optional time delay relay (**58M81**) for field installation. See furnace or air handler specifications to determine if relay is needed.

Also see Expansion Valve Kit Usage Table.

AHRI SYSTEM MATCHES

NOTE - For the latest up-to-date system matches please visit the AHRI web site at <http://www.ahridirectory.org>

Model No.	Expansion Device	Capacity	SEER	EER	Coil or Air Handler	Furnace	AHRI Reference
SL18XC1-042-230	TXV	40500	16	13	CX35-36B	SL280UH090V48B	8551977
SL18XC1-042-230	TXV	40500	16	13	CX35-36B	SL280UH090XV48B	8551978
SL18XC1-042-230	TXV	40500	15.1	12.5	CX35-36B	SLP98UH070XV36B	8551979
SL18XC1-042-230	TXV	40500	15	12.5	CX35-36B		8551971
SL18XC1-042-230	TXV	41000	16	13	CX35-48B	EL180UH090E48B	8551981
SL18XC1-042-230	TXV	41000	16	13	CX35-48B	EL180UH090XE48B	8551982
SL18XC1-042-230	TXV	40500	15.5	12.5	CX35-48B	EL296UH045XV36B	8551983
SL18XC1-042-230	TXV	40500	15.1	12.5	CX35-48B	EL296UH070XV36B	8551984
SL18XC1-042-230	TXV	41000	16	13	CX35-48B	SL280UH090V36B	8551985
SL18XC1-042-230	TXV	41000	16	13	CX35-48B	SL280UH090V48B	8551986
SL18XC1-042-230	TXV	41000	16	13	CX35-48B	SL280UH090XV48B	8551987
SL18XC1-042-230	TXV	40500	15.1	12.5	CX35-48B	SLP98UH070XV36B	8551988
SL18XC1-042-230	TXV	40500	15.1	12.5	CX35-48B		8551980
SL18XC1-042-230	TXV	41000	16.5	13	CX35-48C	EL180UH090E60C	8551990
SL18XC1-042-230	TXV	41000	16.5	13	CX35-48C	EL180UH110E60C	8551991
SL18XC1-042-230	TXV	41000	16.5	13	CX35-48C	EL180UH110XE60C	8551992
SL18XC1-042-230	TXV	41000	16	13	CX35-48C	EL195UH090XE48C	8551993
SL18XC1-042-230	TXV	41500	16	13	CX35-48C	EL195UH110XE60C	8551994
SL18XC1-042-230	TXV	41000	16	13	CX35-48C	EL296UH090XE48C	8551995
SL18XC1-042-230	TXV	41000	16	13	CX35-48C	EL296UH090XV36C	8551996
SL18XC1-042-230	TXV	41000	16	13	CX35-48C	EL296UH090XV48C	8551997
SL18XC1-042-230	TXV	40500	16	13	CX35-48C	EL296UH090XV60C	8551998
SL18XC1-042-230	TXV	41500	16	13	CX35-48C	EL296UH110XE60C	8551999
SL18XC1-042-230	TXV	41000	16	13	CX35-48C	EL296UH110XV48C	8552000
SL18XC1-042-230	TXV	41000	16	13	CX35-48C	EL296UH110XV60C	8552001
SL18XC1-042-230	TXV	41500	16.5	13.5	CX35-48C	SL280UH090V60C	8552002
SL18XC1-042-230	TXV	41500	16.5	13.5	CX35-48C	SL280UH090XV60C	8552003
SL18XC1-042-230	TXV	41000	16	13	CX35-48C	SL280UH110V60C	8552004
SL18XC1-042-230	TXV	41000	16	13	CX35-48C	SL280UH110XV60C	8552005
SL18XC1-042-230	TXV	41000	16	13	CX35-48C	SLP98UH090XV36C	8552006
SL18XC1-042-230	TXV	41000	16	13	CX35-48C	SLP98UH090XV48C	8552007
SL18XC1-042-230	TXV	40500	16	13	CX35-48C	SLP98UH090XV60C	8552008
SL18XC1-042-230	TXV	41000	16	13	CX35-48C	SLP98UH110XV60C	8552009
SL18XC1-042-230	TXV	40500	15.1	12.5	CX35-48C		8551989
SL18XC1-042-230	TXV	41500	16.5	13.5	CX35-49C	EL180UH090E60C	8552011
SL18XC1-042-230	TXV	41500	16.5	13.5	CX35-49C	EL180UH110E60C	8552012
SL18XC1-042-230	TXV	41500	16.5	13.5	CX35-49C	EL180UH110XE60C	8552013
SL18XC1-042-230	TXV	41000	16.5	13	CX35-49C	EL195UH090XE48C	8552014
SL18XC1-042-230	TXV	41500	16.5	13	CX35-49C	EL195UH110XE60C	8552015
SL18XC1-042-230	TXV	41000	16.5	13	CX35-49C	EL296UH090XE48C	8552016
SL18XC1-042-230	TXV	41000	16	13	CX35-49C	EL296UH090XV36C	8552017
SL18XC1-042-230	TXV	41000	16	13	CX35-49C	EL296UH090XV48C	8552018
SL18XC1-042-230	TXV	41000	16.5	13	CX35-49C	EL296UH090XV60C	8552019
SL18XC1-042-230	TXV	41500	16.5	13	CX35-49C	EL296UH110XE60C	8552020
SL18XC1-042-230	TXV	41500	16.5	13	CX35-49C	EL296UH110XV48C	8552021
SL18XC1-042-230	TXV	41500	16.5	13	CX35-49C	EL296UH110XV60C	8552022
SL18XC1-042-230	TXV	41500	16.5	13	CX35-49C	SL280UH090V60C	8552023
SL18XC1-042-230	TXV	41500	16.5	13	CX35-49C	SL280UH090XV60C	8552024
SL18XC1-042-230	TXV	41500	16	13	CX35-49C	SL280UH110V60C	8552025

NOTES:

TXV = Matched with Thermostatic Expansion Valve.

RFC = Matched with RFC metering device.

Ratings are AHRI Certified to AHRI Standard 210/240 (with 25 ft. of connecting refrigerant lines); 95°F outdoor air temperature, 80°F db / 67°F wb entering evaporator air.

All ratings include the use of a blower time delay relay (TDR). All Lennox variable-speed furnaces and Air Handlers have time delay capabilities. Other Furnaces and Air Handlers may require an optional time delay relay (**58M81**) for field installation. See furnace or air handler specifications to determine if relay is needed.

Also see Expansion Valve Kit Usage Table.

AHRI SYSTEM MATCHES

NOTE - For the latest up-to-date system matches please visit the AHRI web site at <http://www.ahridirectory.org>

Model No.	Expansion Device	Capacity	SEER	EER	Coil or Air Handler	Furnace	AHRI Reference
SL18XC1-042-230	TXV	41500	16	13	CX35-49C	SL280UH110XV60C	8552026
SL18XC1-042-230	TXV	41000	16	13	CX35-49C	SLP98UH090XV36C	8552029
SL18XC1-042-230	TXV	41000	16	13	CX35-49C	SLP98UH090XV48C	8552030
SL18XC1-042-230	TXV	41000	16.5	13	CX35-49C	SLP98UH090XV60C	8552031
SL18XC1-042-230	TXV	41500	16.5	13	CX35-49C	SLP98UH110XV60C	8552032
SL18XC1-042-230	TXV	41000	15.1	12.5	CX35-49C		8552010
SL18XC1-042-230	TXV	40500	16	13	CX35-50/60C	EL180UH090E60C	8552034
SL18XC1-042-230	TXV	40500	16	13	CX35-50/60C	EL180UH110E60C	8552035
SL18XC1-042-230	TXV	40500	16	13	CX35-50/60C	EL180UH110XE60C	8552036
SL18XC1-042-230	TXV	40500	16	13	CX35-50/60C	EL195UH090XE48C	8552037
SL18XC1-042-230	TXV	41000	16	13	CX35-50/60C	EL195UH110XE60C	8552038
SL18XC1-042-230	TXV	40500	16	13	CX35-50/60C	EL296UH090XE48C	8552039
SL18XC1-042-230	TXV	40500	15.5	12.5	CX35-50/60C	EL296UH090XV36C	8552040
SL18XC1-042-230	TXV	40500	16	13	CX35-50/60C	EL296UH090XV48C	8552041
SL18XC1-042-230	TXV	40500	16	13	CX35-50/60C	EL296UH090XV60C	8552042
SL18XC1-042-230	TXV	41000	16	13	CX35-50/60C	EL296UH110XE60C	8552043
SL18XC1-042-230	TXV	40500	16	13	CX35-50/60C	EL296UH110XV48C	8552044
SL18XC1-042-230	TXV	40500	16	13	CX35-50/60C	EL296UH110XV60C	8552045
SL18XC1-042-230	TXV	41000	16	13	CX35-50/60C	SL280UH090V60C	8552046
SL18XC1-042-230	TXV	41000	16	13	CX35-50/60C	SL280UH090XV60C	8552047
SL18XC1-042-230	TXV	40500	16	13	CX35-50/60C	SL280UH110V60C	8552048
SL18XC1-042-230	TXV	40500	16	13	CX35-50/60C	SL280UH110XV60C	8552049
SL18XC1-042-230	TXV	40500	15.5	12.5	CX35-50/60C	SLP98UH090XV36C	8552052
SL18XC1-042-230	TXV	40500	16	13	CX35-50/60C	SLP98UH090XV48C	8552053
SL18XC1-042-230	TXV	40500	16	13	CX35-50/60C	SLP98UH090XV60C	8552054
SL18XC1-042-230	TXV	40500	16	13	CX35-50/60C	SLP98UH110XV60C	8552055
SL18XC1-042-230	TXV	40500	14.5	12.5	CX35-50/60C		8552033
SL18XC1-042-230	TXV	42000	17	14	CX35-60C	EL180UH090E60C	8552057
SL18XC1-042-230	TXV	42000	17	13.5	CX35-60C	EL180UH110E60C	8552058
SL18XC1-042-230	TXV	42000	17	13.5	CX35-60C	EL180UH110XE60C	8552059
SL18XC1-042-230	TXV	42000	16.5	13.5	CX35-60C	EL195UH090XE48C	8552060
SL18XC1-042-230	TXV	42000	16.5	13.5	CX35-60C	EL195UH110XE60C	8552061
SL18XC1-042-230	TXV	42000	16.5	13.5	CX35-60C	EL296UH090XE48C	8552062
SL18XC1-042-230	TXV	42000	16.5	13.5	CX35-60C	EL296UH090XV36C	8552063
SL18XC1-042-230	TXV	42000	16.5	13.5	CX35-60C	EL296UH090XV48C	8552064
SL18XC1-042-230	TXV	42000	16.5	14	CX35-60C	EL296UH090XV60C	8552065
SL18XC1-042-230	TXV	42000	16.5	13.5	CX35-60C	EL296UH110XE60C	8552066
SL18XC1-042-230	TXV	42000	17	14	CX35-60C	EL296UH110XV60C	8552067
SL18XC1-042-230	TXV	42000	17	14	CX35-60C	SL280UH090V60C	8552068
SL18XC1-042-230	TXV	42000	17	14	CX35-60C	SL280UH090XV60C	8552069
SL18XC1-042-230	TXV	42000	16.5	13.5	CX35-60C	SL280UH110V60C	8552070
SL18XC1-042-230	TXV	42000	16.5	13.5	CX35-60C	SL280UH110XV60C	8552071
SL18XC1-042-230	TXV	42000	16.5	13.5	CX35-60C	SLP98UH090XV36C	8552074
SL18XC1-042-230	TXV	42000	16.5	13.5	CX35-60C	SLP98UH090XV48C	8552075
SL18XC1-042-230	TXV	42000	16.5	14	CX35-60C	SLP98UH090XV60C	8552076
SL18XC1-042-230	TXV	42000	17	14	CX35-60C	SLP98UH110XV60C	8552077
SL18XC1-042-230	TXV	42000	15.5	12.5	CX35-60C		8552056
SL18XC1-042-230	TXV	42000	17	13.5	CX35-60D	EL180UH135E60D	8552079
SL18XC1-042-230	TXV	42000	16.5	13	CX35-60D	EL195UH135XE60D	8552080

NOTES:

TXV = Matched with Thermostatic Expansion Valve.

RFC = Matched with RFC metering device.

Ratings are AHRI Certified to AHRI Standard 210/240 (with 25 ft. of connecting refrigerant lines); 95°F outdoor air temperature, 80°F db / 67°F wb entering evaporator air.

All ratings include the use of a blower time delay relay (TDR). All Lennox variable-speed furnaces and Air Handlers have time delay capabilities. Other Furnaces and Air Handlers may require an optional time delay relay (**58M81**) for field installation. See furnace or air handler specifications to determine if relay is needed.

Also see Expansion Valve Kit Usage Table.

AHRI SYSTEM MATCHES

NOTE - For the latest up-to-date system matches please visit the AHRI web site at <http://www.ahridirectory.org>

Model No.	Expansion Device	Capacity	SEER	EER	Coil or Air Handler	Furnace	AHRI Reference
SL18XC1-042-230	TXV	42000	16.5	13	CX35-60D	EL296UH135XE60D	8552081
SL18XC1-042-230	TXV	42000	16.5	13.5	CX35-60D	EL296UH135XV60D	8552082
SL18XC1-042-230	TXV	42000	17	14	CX35-60D	SL280UH135V60D	8552083
SL18XC1-042-230	TXV	42000	16.5	13.5	CX35-60D	SLP98UH135XV60D	8552086
SL18XC1-042-230	TXV	41000	15.1	12.5	CX35-60D		8552078
SL18XC1-042-230	TXV	40000	15	12.5	CX38-50/60C		10555332
SL18XC1-048-230	TXV	48000	15.1	12.5	C35-48B	SL280UH090V48B	8552495
SL18XC1-048-230	TXV	48000	15.1	12.5	C35-48B	SL280UH090XV48B	8552496
SL18XC1-048-230	TXV	48000	15.5	12.5	C35-48C	SL280UH110V60C	9124226
SL18XC1-048-230	TXV	48000	16	13	C35-49C	EL180UH090E60C	8552504
SL18XC1-048-230	TXV	48000	15.5	12.5	C35-49C	EL180UH110E60C	8552114
SL18XC1-048-230	TXV	48000	15.5	12.5	C35-49C	EL180UH110XE60C	8552115
SL18XC1-048-230	TXV	48000	15.5	12.5	C35-49C	EL195UH090XE48C	8552502
SL18XC1-048-230	TXV	48000	15.5	12.5	C35-49C	EL195UH110XE60C	8552503
SL18XC1-048-230	TXV	48000	15.5	12.5	C35-49C	EL296UH090XE48C	8552120
SL18XC1-048-230	TXV	48000	15.5	12.5	C35-49C	EL296UH090XV48C	8552116
SL18XC1-048-230	TXV	48000	15.5	12.5	C35-49C	EL296UH090XV60C	8552117
SL18XC1-048-230	TXV	48000	15.5	12.5	C35-49C	EL296UH110XE60C	8552121
SL18XC1-048-230	TXV	48000	15.5	12.5	C35-49C	EL296UH110XV48C	8552118
SL18XC1-048-230	TXV	48000	15.5	12.5	C35-49C	EL296UH110XV60C	8552119
SL18XC1-048-230	TXV	48000	15.5	12.5	C35-49C	SL280UH090V60C	8552112
SL18XC1-048-230	TXV	48000	15.5	12.5	C35-49C	SL280UH090XV60C	8552497
SL18XC1-048-230	TXV	48000	15.5	12.5	C35-49C	SL280UH110V60C	8552498
SL18XC1-048-230	TXV	48000	15.5	12.5	C35-49C	SL280UH110XV60C	8552499
SL18XC1-048-230	TXV	48000	15.5	12.5	C35-49C	SLP98UH090XV48C	8552113
SL18XC1-048-230	TXV	48000	15.5	12.5	C35-49C	SLP98UH090XV60C	8552500
SL18XC1-048-230	TXV	48000	15.5	12.5	C35-49C	SLP98UH110XV60C	8552501
SL18XC1-048-230	TXV	48000	14.5	12.5	C35-49C		8552111
SL18XC1-048-230	TXV	48000	15.1	12.5	C35-50/60C	CBWMV-60C-100	8552140
SL18XC1-048-230	TXV	48000	15.1	12.5	C35-50/60C	EL180UH090E60C	8552133
SL18XC1-048-230	TXV	48000	15.5	12.5	C35-50/60C	EL180UH110E60C	8552134
SL18XC1-048-230	TXV	48000	15.5	12.5	C35-50/60C	EL180UH110XE60C	8552135
SL18XC1-048-230	TXV	48000	15.1	12.5	C35-50/60C	EL195UH090XE48C	8552131
SL18XC1-048-230	TXV	48000	15.1	12.5	C35-50/60C	EL195UH110XE60C	8552132
SL18XC1-048-230	TXV	48000	15.1	12.5	C35-50/60C	EL296UH090XE48C	8552141
SL18XC1-048-230	TXV	48000	15.1	12.5	C35-50/60C	EL296UH090XV48C	8552136
SL18XC1-048-230	TXV	48000	15.1	12.5	C35-50/60C	EL296UH090XV60C	8552137
SL18XC1-048-230	TXV	48000	15.1	12.5	C35-50/60C	EL296UH110XE60C	8552142
SL18XC1-048-230	TXV	48000	15.1	12.5	C35-50/60C	EL296UH110XV48C	8552138
SL18XC1-048-230	TXV	48000	15.1	12.5	C35-50/60C	EL296UH110XV60C	8552139
SL18XC1-048-230	TXV	48000	15.1	12.5	C35-50/60C	SL280UH090V60C	8552124
SL18XC1-048-230	TXV	48000	15.1	12.5	C35-50/60C	SL280UH090XV60C	8552125
SL18XC1-048-230	TXV	48000	15.1	12.5	C35-50/60C	SL280UH110V60C	8552126
SL18XC1-048-230	TXV	48000	15.1	12.5	C35-50/60C	SL280UH110XV60C	8552127
SL18XC1-048-230	TXV	48000	15.1	12.5	C35-50/60C	SLP98UH090XV48C	8552128
SL18XC1-048-230	TXV	48000	15.1	12.5	C35-50/60C	SLP98UH090XV60C	8552129
SL18XC1-048-230	TXV	48000	15.1	12.5	C35-50/60C	SLP98UH110XV60C	8552130
SL18XC1-048-230	TXV	48000	14.5	12.5	C35-50/60C		8552123
SL18XC1-048-230	TXV	48000	16	13	C35-60C	EL180UH090E60C	8552151

NOTES:

TXV = Matched with Thermostatic Expansion Valve.

RFC = Matched with RFC metering device.

Ratings are AHRI Certified to AHRI Standard 210/240 (with 25 ft. of connecting refrigerant lines); 95°F outdoor air temperature, 80°F db / 67°F wb entering evaporator air.

All ratings include the use of a blower time delay relay (TDR). All Lennox variable-speed furnaces and Air Handlers have time delay capabilities. Other Furnaces and Air Handlers may require an optional time delay relay (**58M81**) for field installation. See furnace or air handler specifications to determine if relay is needed.

Also see Expansion Valve Kit Usage Table.

AHRI SYSTEM MATCHES

NOTE - For the latest up-to-date system matches please visit the AHRI web site at <http://www.ahridirectory.org>

Model No.	Expansion Device	Capacity	SEER	EER	Coil or Air Handler	Furnace	AHRI Reference
SL18XC1-048-230	TXV	48000	16	13	C35-60C	EL180UH110E60C	8552152
SL18XC1-048-230	TXV	48000	16	13	C35-60C	EL180UH110XE60C	8552153
SL18XC1-048-230	TXV	48000	16	13	C35-60C	EL195UH090XE48C	8552149
SL18XC1-048-230	TXV	48000	16	13	C35-60C	EL195UH110XE60C	8552150
SL18XC1-048-230	TXV	48000	16	13	C35-60C	EL296UH090XE48C	8552512
SL18XC1-048-230	TXV	48000	16	13	C35-60C	EL296UH090XV48C	8552154
SL18XC1-048-230	TXV	48000	15.5	12.5	C35-60C	EL296UH090XV60C	8552510
SL18XC1-048-230	TXV	48000	16	13	C35-60C	EL296UH110XE60C	8552156
SL18XC1-048-230	TXV	48000	16	13	C35-60C	EL296UH110XV48C	8552155
SL18XC1-048-230	TXV	48000	15.5	12.5	C35-60C	EL296UH110XV60C	8552511
SL18XC1-048-230	TXV	48000	16	13	C35-60C	SL280UH090V60C	8552506
SL18XC1-048-230	TXV	48000	16	13	C35-60C	SL280UH090XV60C	8552507
SL18XC1-048-230	TXV	48000	16	13	C35-60C	SL280UH110V60C	8552508
SL18XC1-048-230	TXV	48000	16	13	C35-60C	SL280UH110XV60C	8552509
SL18XC1-048-230	TXV	48000	16	13	C35-60C	SLP98UH090XV48C	8552146
SL18XC1-048-230	TXV	48000	16	13	C35-60C	SLP98UH090XV60C	8552147
SL18XC1-048-230	TXV	48000	16	13	C35-60C	SLP98UH110XV60C	8552148
SL18XC1-048-230	TXV	48000	15.1	12.5	C35-60C		8552145
SL18XC1-048-230	TXV	48000	16	13	C35-60D	EL180UH135E60D	8552162
SL18XC1-048-230	TXV	48000	15.5	12.5	C35-60D	EL195UH135XE60D	8552161
SL18XC1-048-230	TXV	48000	15.5	12.5	C35-60D	EL296UH135XE60D	8552164
SL18XC1-048-230	TXV	48000	16	13	C35-60D	EL296UH135XV60D	8552163
SL18XC1-048-230	TXV	48000	16	13	C35-60D	SL280UH135V60D	8552160
SL18XC1-048-230	TXV	48000	16	13	C35-60D	SLP98UH135XV60D	8552513
SL18XC1-048-230	TXV	48000	15.1	12.5	C35-60D		8552159
SL18XC1-048-230	TXV	48000	15.5	12.5	CBA27UHE-048		10259451
SL18XC1-048-230	TXV	48000	15.5	12.5	CBA27UHE-060		10259452
SL18XC1-048-230	TXV	48000	15.5	12.5	CBX27UH-048		8109981
SL18XC1-048-230	TXV	48000	15.5	12.5	CBX27UH-060		8109982
SL18XC1-048-230	TXV	48000	15.5	12.5	CBX32M-048		8109983
SL18XC1-048-230	TXV	48000	15.5	12.5	CBX32M-060		8109984
SL18XC1-048-230	TXV	48000	16	13	CBX32MV-048		8109985
SL18XC1-048-230	TXV	48000	16	13	CBX32MV-060		8109986
SL18XC1-048-230	TXV	48000	16	13	CBX32MV-068		8109987
SL18XC1-048-230	TXV	48000	16	13	CBX40UHV-048		8109988
SL18XC1-048-230	TXV	48000	16	13	CBX40UHV-060		8109989
SL18XC1-048-230	TXV	46500	15.1	12.5	CH23-51	EL180UH090E60C	8109990
SL18XC1-048-230	TXV	46500	15.1	12.5	CH23-51	EL180UH110E60C	8109991
SL18XC1-048-230	TXV	46500	15.1	12.5	CH23-51	EL180UH110XE60C	8109992
SL18XC1-048-230	TXV	46500	15	12.5	CH23-51	EL195UH090XE48C	8109994
SL18XC1-048-230	TXV	46500	15	12.5	CH23-51	EL195UH110XE60C	8109995
SL18XC1-048-230	TXV	46500	15	12.5	CH23-51	EL296UH090XE48C	8109996
SL18XC1-048-230	TXV	46500	15	12.5	CH23-51	EL296UH090XV48C	8109997
SL18XC1-048-230	TXV	47000	15	12.5	CH23-51	EL296UH090XV60C	8109998
SL18XC1-048-230	TXV	46500	15	12.5	CH23-51	EL296UH110XE60C	8109999
SL18XC1-048-230	TXV	46500	15	12.5	CH23-51	EL296UH110XV48C	8110000
SL18XC1-048-230	TXV	46500	15	12.5	CH23-51	EL296UH110XV60C	8110001
SL18XC1-048-230	TXV	47000	15	12.5	CH23-51	EL296UH135XV60D	8110002
SL18XC1-048-230	TXV	47000	15.1	12.5	CH23-51	SL280UH090V60C	8110003

NOTES:

TXV = Matched with Thermostatic Expansion Valve.

RFC = Matched with RFC metering device.

Ratings are AHRI Certified to AHRI Standard 210/240 (with 25 ft. of connecting refrigerant lines); 95°F outdoor air temperature, 80°F db / 67°F wb entering evaporator air.

All ratings include the use of a blower time delay relay (TDR). All Lennox variable-speed furnaces and Air Handlers have time delay capabilities. Other Furnaces and Air Handlers may require an optional time delay relay (**58M81**) for field installation. See furnace or air handler specifications to determine if relay is needed.

Also see Expansion Valve Kit Usage Table.

AHRI SYSTEM MATCHES

NOTE - For the latest up-to-date system matches please visit the AHRI web site at <http://www.ahridirectory.org>

Model No.	Expansion Device	Capacity	SEER	EER	Coil or Air Handler	Furnace	AHRI Reference
SL18XC1-048-230	TXV	47000	15.1	12.5	CH23-51	SL280UH090XV60C	8110004
SL18XC1-048-230	TXV	47000	15.1	12.5	CH23-51	SL280UH110V60C	8110005
SL18XC1-048-230	TXV	47000	15.1	12.5	CH23-51	SL280UH110XV60C	8110006
SL18XC1-048-230	TXV	46500	15	12.5	CH23-51	SLP98UH090XV48C	8110007
SL18XC1-048-230	TXV	47000	15	12.5	CH23-51	SLP98UH090XV60C	8110008
SL18XC1-048-230	TXV	46500	15	12.5	CH23-51	SLP98UH110XV60C	8110010
SL18XC1-048-230	TXV	47000	15.1	12.5	CH23-51	SLP98UH135XV60D	8110011
SL18XC1-048-230	TXV	46500	14.25	12	CH23-51		8110012
SL18XC1-048-230	TXV	47500	15.5	12.5	CH23-65	EL180UH090E60C	8110013
SL18XC1-048-230	TXV	47000	15.1	12.5	CH23-65	EL180UH110E60C	8110014
SL18XC1-048-230	TXV	47000	15.1	12.5	CH23-65	EL180UH110XE60C	8110015
SL18XC1-048-230	TXV	47500	15.1	12.5	CH23-65	EL195UH090XE48C	8110016
SL18XC1-048-230	TXV	47500	15.1	12.5	CH23-65	EL195UH110XE60C	8110017
SL18XC1-048-230	TXV	47500	15.1	12.5	CH23-65	EL296UH090XE48C	8110018
SL18XC1-048-230	TXV	47500	15.1	12.5	CH23-65	EL296UH090XV48C	8110019
SL18XC1-048-230	TXV	47500	15.1	12.5	CH23-65	EL296UH090XV60C	8110020
SL18XC1-048-230	TXV	47500	15.1	12.5	CH23-65	EL296UH110XE60C	8110021
SL18XC1-048-230	TXV	47500	15.5	12.5	CH23-65	EL296UH110XV48C	8110022
SL18XC1-048-230	TXV	47500	15.5	12.5	CH23-65	EL296UH110XV60C	8110023
SL18XC1-048-230	TXV	48000	15.5	12.5	CH23-65	EL296UH135XV60D	8110024
SL18XC1-048-230	TXV	47500	15.5	12.5	CH23-65	SL280UH090V60C	8110025
SL18XC1-048-230	TXV	47500	15.5	12.5	CH23-65	SL280UH090XV60C	8110027
SL18XC1-048-230	TXV	47500	15.5	12.5	CH23-65	SL280UH110V60C	8110028
SL18XC1-048-230	TXV	47500	15.5	12.5	CH23-65	SL280UH110XV60C	8110029
SL18XC1-048-230	TXV	47500	15.5	12.5	CH23-65	SL280UH135V60D	8110030
SL18XC1-048-230	TXV	47500	15.1	12.5	CH23-65	SLP98UH090XV48C	8110031
SL18XC1-048-230	TXV	47500	15.1	12.5	CH23-65	SLP98UH090XV60C	8110032
SL18XC1-048-230	TXV	47500	15.1	12.5	CH23-65	SLP98UH110XV60C	8110033
SL18XC1-048-230	TXV	47500	15.5	12.5	CH23-65	SLP98UH135XV60D	8110034
SL18XC1-048-230	TXV	47000	14.5	12	CH23-65		8110035
SL18XC1-048-230	TXV	48000	16	13	CH23-68	EL180UH090E60C	8110036
SL18XC1-048-230	TXV	48000	16	13	CH23-68	EL180UH110E60C	8110037
SL18XC1-048-230	TXV	48000	16	13	CH23-68	EL180UH110XE60C	8110038
SL18XC1-048-230	TXV	48000	15.5	12.5	CH23-68	EL195UH090XE48C	8110039
SL18XC1-048-230	TXV	48000	16	13	CH23-68	EL195UH110XE60C	8110040
SL18XC1-048-230	TXV	48000	15.5	12.5	CH23-68	EL296UH090XE48C	8110041
SL18XC1-048-230	TXV	48000	16	13	CH23-68	EL296UH090XV48C	8110043
SL18XC1-048-230	TXV	48000	16	13	CH23-68	EL296UH090XV60C	8110044
SL18XC1-048-230	TXV	48000	16	13	CH23-68	EL296UH110XE60C	8110045
SL18XC1-048-230	TXV	48000	16	13	CH23-68	EL296UH110XV60C	8110046
SL18XC1-048-230	TXV	48000	16	13	CH23-68	EL296UH135XV60D	8110047
SL18XC1-048-230	TXV	48000	16	13	CH23-68	SL280UH090V60C	8110048
SL18XC1-048-230	TXV	48000	16	13	CH23-68	SL280UH090XV60C	8110049
SL18XC1-048-230	TXV	48000	16	13	CH23-68	SL280UH110V60C	8110050
SL18XC1-048-230	TXV	48000	16	13	CH23-68	SL280UH110XV60C	8110051
SL18XC1-048-230	TXV	48000	16	13	CH23-68	SL280UH135V60D	8110052
SL18XC1-048-230	TXV	48000	16	13	CH23-68	SLP98UH090XV48C	8110053
SL18XC1-048-230	TXV	48000	16	13	CH23-68	SLP98UH090XV60C	8110054
SL18XC1-048-230	TXV	48000	16	13	CH23-68	SLP98UH110XV60C	8110055

NOTES:

TXV = Matched with Thermostatic Expansion Valve.

RFC = Matched with RFC metering device.

Ratings are AHRI Certified to AHRI Standard 210/240 (with 25 ft. of connecting refrigerant lines); 95°F outdoor air temperature, 80°F db / 67°F wb entering evaporator air.

All ratings include the use of a blower time delay relay (TDR). All Lennox variable-speed furnaces and Air Handlers have time delay capabilities. Other Furnaces and Air Handlers may require an optional time delay relay (**58M81**) for field installation. See furnace or air handler specifications to determine if relay is needed.

Also see Expansion Valve Kit Usage Table.

AHRI SYSTEM MATCHES

NOTE - For the latest up-to-date system matches please visit the AHRI web site at <http://www.ahridirectory.org>

Model No.	Expansion Device	Capacity	SEER	EER	Coil or Air Handler	Furnace	AHRI Reference
SL18XC1-048-230	TXV	48000	16	13	CH23-68	SLP98UH135XV60D	8110056
SL18XC1-048-230	TXV	48000	15	12.5	CH23-68		8110057
SL18XC1-048-230	TXV	48000	15.5	12.5	CH33-43B	SL280UH090V48B	8110058
SL18XC1-048-230	TXV	48000	15.5	12.5	CH33-43B	SL280UH090XV48B	8110059
SL18XC1-048-230	TXV	47500	15	12.5	CH33-44/48B	SL280UH090V48B	8110061
SL18XC1-048-230	TXV	47500	15	12.5	CH33-44/48B	SL280UH090XV48B	8110062
SL18XC1-048-230	TXV	48000	15.5	12.5	CH33-48C	EL180UH090E60C	8110063
SL18XC1-048-230	TXV	48000	15.5	12.5	CH33-48C	EL180UH110E60C	8110064
SL18XC1-048-230	TXV	48000	15.5	12.5	CH33-48C	EL180UH110XE60C	8110065
SL18XC1-048-230	TXV	48000	15.1	12.5	CH33-48C	EL195UH090XE48C	8110066
SL18XC1-048-230	TXV	48000	15.1	12.5	CH33-48C	EL195UH110XE60C	8110067
SL18XC1-048-230	TXV	48000	15.1	12.5	CH33-48C	EL296UH090XE48C	8110068
SL18XC1-048-230	TXV	48000	15.1	12.5	CH33-48C	EL296UH090XV48C	8110069
SL18XC1-048-230	TXV	48000	15.1	12.5	CH33-48C	EL296UH090XV60C	8110070
SL18XC1-048-230	TXV	48000	15.1	12.5	CH33-48C	EL296UH110XE60C	8110071
SL18XC1-048-230	TXV	48000	15.1	12.5	CH33-48C	EL296UH110XV48C	8110072
SL18XC1-048-230	TXV	48000	15.5	12.5	CH33-48C	SL280UH090V60C	8110073
SL18XC1-048-230	TXV	48000	15.5	12.5	CH33-48C	SL280UH090XV60C	8110074
SL18XC1-048-230	TXV	48000	15.5	12.5	CH33-48C	SL280UH110V60C	8110075
SL18XC1-048-230	TXV	48000	15.5	12.5	CH33-48C	SL280UH110XV60C	8110076
SL18XC1-048-230	TXV	48000	15.1	12.5	CH33-48C	SLP98UH090XV48C	8110077
SL18XC1-048-230	TXV	48000	15.1	12.5	CH33-48C	SLP98UH090XV60C	8110079
SL18XC1-048-230	TXV	48000	15.1	12.5	CH33-48C	SLP98UH110XV60C	8110080
SL18XC1-048-230	TXV	48000	14.5	12.5	CH33-48C		8110081
SL18XC1-048-230	TXV	48000	16	13	CH33-49	EL180UH090E60C	8110082
SL18XC1-048-230	TXV	48000	15.5	12.5	CH33-49	EL180UH110E60C	8110083
SL18XC1-048-230	TXV	48000	15.5	12.5	CH33-49	EL180UH110XE60C	8110084
SL18XC1-048-230	TXV	48000	15.5	12.5	CH33-49	EL195UH090XE48C	8110085
SL18XC1-048-230	TXV	48000	15.5	12.5	CH33-49	EL195UH110XE60C	8110086
SL18XC1-048-230	TXV	48000	15.5	12.5	CH33-49	EL296UH090XE48C	8110087
SL18XC1-048-230	TXV	48000	15.5	12.5	CH33-49	EL296UH090XV48C	8110088
SL18XC1-048-230	TXV	48000	15.5	12.5	CH33-49	EL296UH090XV60C	8110089
SL18XC1-048-230	TXV	48000	15.5	12.5	CH33-49	EL296UH110XE60C	8110090
SL18XC1-048-230	TXV	48000	15.5	12.5	CH33-49	EL296UH110XV48C	8110091
SL18XC1-048-230	TXV	48000	15.5	12.5	CH33-49	EL296UH110XV60C	8110092
SL18XC1-048-230	TXV	48000	15.5	12.5	CH33-49	SL280UH090V60C	8110093
SL18XC1-048-230	TXV	48000	15.5	12.5	CH33-49	SL280UH090XV60C	8110095
SL18XC1-048-230	TXV	48000	15.5	12.5	CH33-49	SL280UH110V60C	8110096
SL18XC1-048-230	TXV	48000	15.5	12.5	CH33-49	SL280UH110XV60C	8110097
SL18XC1-048-230	TXV	48000	15.5	12.5	CH33-49	SLP98UH090XV48C	8110098
SL18XC1-048-230	TXV	48000	15.5	12.5	CH33-49	SLP98UH090XV60C	8110099
SL18XC1-048-230	TXV	48000	15	12.5	CH33-49		8110100
SL18XC1-048-230	TXV	48000	15.5	12.5	CH33-50/60C	EL180UH090E60C	8110101
SL18XC1-048-230	TXV	48000	15.5	12.5	CH33-50/60C	EL180UH110E60C	8110102
SL18XC1-048-230	TXV	48000	15.5	12.5	CH33-50/60C	EL180UH110XE60C	8110103
SL18XC1-048-230	TXV	48000	15.5	12.5	CH33-50/60C	EL195UH090XE48C	8110104
SL18XC1-048-230	TXV	48000	15.5	12.5	CH33-50/60C	EL195UH110XE60C	8110105
SL18XC1-048-230	TXV	48000	15.5	12.5	CH33-50/60C	EL296UH090XE48C	8110106
SL18XC1-048-230	TXV	48000	15.5	12.5	CH33-50/60C	EL296UH090XV48C	8110107

NOTES:

TXV = Matched with Thermostatic Expansion Valve.

RFC = Matched with RFC metering device.

Ratings are AHRI Certified to AHRI Standard 210/240 (with 25 ft. of connecting refrigerant lines); 95°F outdoor air temperature, 80°F db / 67°F wb entering evaporator air.

All ratings include the use of a blower time delay relay (TDR). All Lennox variable-speed furnaces and Air Handlers have time delay capabilities. Other Furnaces and Air Handlers may require an optional time delay relay (**58M81**) for field installation. See furnace or air handler specifications to determine if relay is needed.

Also see Expansion Valve Kit Usage Table.

AHRI SYSTEM MATCHES

NOTE - For the latest up-to-date system matches please visit the AHRI web site at <http://www.ahridirectory.org>

Model No.	Expansion Device	Capacity	SEER	EER	Coil or Air Handler	Furnace	AHRI Reference
SL18XC1-048-230	TXV	48000	15.1	12.5	CH33-50/60C	EL296UH090XV60C	8110108
SL18XC1-048-230	TXV	48000	15.5	12.5	CH33-50/60C	EL296UH110XE60C	8110109
SL18XC1-048-230	TXV	48000	15.5	12.5	CH33-50/60C	EL296UH110XV48C	8110110
SL18XC1-048-230	TXV	48000	15.5	12.5	CH33-50/60C	EL296UH110XV60C	8110111
SL18XC1-048-230	TXV	48000	15.5	12.5	CH33-50/60C	SL280UH090V60C	8110112
SL18XC1-048-230	TXV	48000	15.5	12.5	CH33-50/60C	SL280UH090XV60C	8110114
SL18XC1-048-230	TXV	48000	15.5	12.5	CH33-50/60C	SL280UH110V60C	8110115
SL18XC1-048-230	TXV	48000	15.5	12.5	CH33-50/60C	SL280UH110XV60C	8110116
SL18XC1-048-230	TXV	48000	15.5	12.5	CH33-50/60C	SLP98UH090XV48C	8110117
SL18XC1-048-230	TXV	48000	15.1	12.5	CH33-50/60C	SLP98UH090XV60C	8110118
SL18XC1-048-230	TXV	48000	15.5	12.5	CH33-50/60C	SLP98UH110XV60C	8110119
SL18XC1-048-230	TXV	48000	15	12.5	CH33-50/60C		8110120
SL18XC1-048-230	TXV	48000	15.5	12.5	CH33-60D	EL180UH135E60D	8110121
SL18XC1-048-230	TXV	48000	15.1	12.5	CH33-60D	EL195UH135XE60D	8110122
SL18XC1-048-230	TXV	48000	15.1	12.5	CH33-60D	EL296UH135XE60D	8110123
SL18XC1-048-230	TXV	48000	15.5	12.5	CH33-60D	EL296UH135XV60D	8110124
SL18XC1-048-230	TXV	48000	15.5	12.5	CH33-60D	SL280UH135V60D	8110125
SL18XC1-048-230	TXV	48000	15.5	12.5	CH33-60D	SLP98UH135XV60D	8110126
SL18XC1-048-230	TXV	48000	14.5	12.5	CH33-60D		8110127
SL18XC1-048-230	TXV	48000	16	13	CH33-62D	EL180UH135E60D	8110128
SL18XC1-048-230	TXV	48000	15.5	12.5	CH33-62D	EL195UH135XE60D	8110129
SL18XC1-048-230	TXV	48000	15.5	12.5	CH33-62D	EL296UH135XE60D	8110130
SL18XC1-048-230	TXV	48000	15.5	12.5	CH33-62D	EL296UH135XV60D	8110131
SL18XC1-048-230	TXV	48000	15.5	12.5	CH33-62D	SL280UH135V60D	8110132
SL18XC1-048-230	TXV	48000	15.5	12.5	CH33-62D	SLP98UH135XV60D	8110133
SL18XC1-048-230	TXV	48000	15	12.5	CH33-62D		8110134
SL18XC1-048-230	TXV	48000	15.5	12.5	CH35-42B	SL280UH090V48B	8110135
SL18XC1-048-230	TXV	48000	15.5	12.5	CH35-42B	SL280UH090XV48B	8110136
SL18XC1-048-230	TXV	48000	15.1	12.5	CH35-42B		8110138
SL18XC1-048-230	TXV	48000	14.5	12.5	CH35-42C		8110139
SL18XC1-048-230	TXV	48000	15.1	12.5	CH35-48B	SL280UH090V48B	8110140
SL18XC1-048-230	TXV	48000	15.1	12.5	CH35-48B	SL280UH090XV48B	8110141
SL18XC1-048-230	TXV	48000	14.5	12.5	CH35-48B		8110142
SL18XC1-048-230	TXV	48000	15.5	12.5	CH35-48C	EL180UH090E60C	8110143
SL18XC1-048-230	TXV	48000	15.5	12.5	CH35-48C	EL180UH110E60C	8110144
SL18XC1-048-230	TXV	48000	15.5	12.5	CH35-48C	EL180UH110XE60C	8110145
SL18XC1-048-230	TXV	48000	15.1	12.5	CH35-48C	EL195UH090XE48C	8110146
SL18XC1-048-230	TXV	48000	15.5	12.5	CH35-48C	EL195UH110XE60C	8110147
SL18XC1-048-230	TXV	48000	15.1	12.5	CH35-48C	EL296UH090XE48C	8110148
SL18XC1-048-230	TXV	48000	15.1	12.5	CH35-48C	EL296UH090XV48C	8110149
SL18XC1-048-230	TXV	48000	15.1	12.5	CH35-48C	EL296UH090XV60C	8110150
SL18XC1-048-230	TXV	48000	15.5	12.5	CH35-48C	EL296UH110XE60C	8110151
SL18XC1-048-230	TXV	48000	15.1	12.5	CH35-48C	EL296UH110XV48C	8110152
SL18XC1-048-230	TXV	48000	15.5	12.5	CH35-48C	SL280UH090V60C	8110153
SL18XC1-048-230	TXV	48000	15.5	12.5	CH35-48C	SL280UH090XV60C	8110154
SL18XC1-048-230	TXV	48000	15.5	12.5	CH35-48C	SL280UH110V60C	8110155
SL18XC1-048-230	TXV	48000	15.5	12.5	CH35-48C	SL280UH110XV60C	8110156
SL18XC1-048-230	TXV	48000	15.1	12.5	CH35-48C	SLP98UH090XV48C	8110157
SL18XC1-048-230	TXV	48000	15.1	12.5	CH35-48C	SLP98UH090XV60C	8110158

NOTES:

TXV = Matched with Thermostatic Expansion Valve.

RFC = Matched with RFC metering device.

Ratings are AHRI Certified to AHRI Standard 210/240 (with 25 ft. of connecting refrigerant lines); 95°F outdoor air temperature, 80°F db / 67°F wb entering evaporator air.

All ratings include the use of a blower time delay relay (TDR). All Lennox variable-speed furnaces and Air Handlers have time delay capabilities. Other Furnaces and Air Handlers may require an optional time delay relay (**58M81**) for field installation. See furnace or air handler specifications to determine if relay is needed.

Also see Expansion Valve Kit Usage Table.

AHRI SYSTEM MATCHES

NOTE - For the latest up-to-date system matches please visit the AHRI web site at <http://www.ahridirectory.org>

Model No.	Expansion Device	Capacity	SEER	EER	Coil or Air Handler	Furnace	AHRI Reference
SL18XC1-048-230	TXV	48000	15.1	12.5	CH35-48C	SLP98UH110XV60C	8110160
SL18XC1-048-230	TXV	48000	14.5	12.5	CH35-48C		8110161
SL18XC1-048-230	TXV	48000	16	13	CH35-51C	EL180UH090E60C	8110162
SL18XC1-048-230	TXV	48000	16	13	CH35-51C	EL180UH110E60C	8110163
SL18XC1-048-230	TXV	48000	16	13	CH35-51C	EL180UH110XE60C	8110164
SL18XC1-048-230	TXV	48000	15.5	12.5	CH35-51C	EL195UH090XE48C	8110165
SL18XC1-048-230	TXV	48000	15.5	12.5	CH35-51C	EL195UH110XE60C	8110166
SL18XC1-048-230	TXV	48000	15.5	12.5	CH35-51C	EL296UH090XE48C	8110167
SL18XC1-048-230	TXV	48000	15.5	12.5	CH35-51C	EL296UH090XV48C	8110168
SL18XC1-048-230	TXV	48000	15.5	12.5	CH35-51C	EL296UH090XV60C	8110169
SL18XC1-048-230	TXV	48000	15.5	12.5	CH35-51C	EL296UH110XE60C	8110170
SL18XC1-048-230	TXV	48000	15.5	12.5	CH35-51C	EL296UH110XV48C	8110171
SL18XC1-048-230	TXV	48000	15.5	12.5	CH35-51C	EL296UH110XV60C	8110172
SL18XC1-048-230	TXV	48000	15.5	12.5	CH35-51C	SL280UH090V60C	8110173
SL18XC1-048-230	TXV	48000	15.5	12.5	CH35-51C	SL280UH090XV60C	8110174
SL18XC1-048-230	TXV	48000	15.5	12.5	CH35-51C	SL280UH110V60C	8110175
SL18XC1-048-230	TXV	48000	15.5	12.5	CH35-51C	SL280UH110XV60C	8110176
SL18XC1-048-230	TXV	48000	15.5	12.5	CH35-51C	SLP98UH090XV48C	8110177
SL18XC1-048-230	TXV	48000	15.5	12.5	CH35-51C	SLP98UH090XV60C	8110178
SL18XC1-048-230	TXV	48000	15.5	12.5	CH35-51C	SLP98UH110XV60C	8110179
SL18XC1-048-230	TXV	48000	15	12.5	CH35-51C		8110180
SL18XC1-048-230	TXV	48000	16	13	CH35-60D	EL180UH135E60D	8110181
SL18XC1-048-230	TXV	48000	15.5	12.5	CH35-60D	EL195UH135XE60D	8110182
SL18XC1-048-230	TXV	48000	15.5	12.5	CH35-60D	EL296UH135XE60D	8110183
SL18XC1-048-230	TXV	48000	15.5	12.5	CH35-60D	EL296UH135XV60D	8110184
SL18XC1-048-230	TXV	48000	15.5	12.5	CH35-60D	SL280UH135V60D	8110185
SL18XC1-048-230	TXV	48000	16	13	CH35-60D	SLP98UH135XV60D	8110186
SL18XC1-048-230	TXV	48000	15	12.5	CH35-60D		8110187
SL18XC1-048-230	TXV	47000	15.1	12.5	CR33-48	EL180DF110E60C	8110188
SL18XC1-048-230	TXV	46500	14.5	12.5	CR33-48	EL195DF090XE48C	8110189
SL18XC1-048-230	TXV	46500	15	12.5	CR33-48	EL195DF110XE60C	8110190
SL18XC1-048-230	TXV	46500	14.5	12.5	CR33-48	EL296DF090XE48C	8110191
SL18XC1-048-230	TXV	46500	15	12.5	CR33-48	EL296DF110XE60C	8110192
SL18XC1-048-230	TXV	47000	14.5	12.5	CR33-48	EL296DF110XV60C	8110193
SL18XC1-048-230	TXV	47500	15.1	12.5	CR33-48	SL280DF110V60C	8110194
SL18XC1-048-230	TXV	48000	15.5	12.5	CR33-50/60	EL180DF110E60C	8110195
SL18XC1-048-230	TXV	47500	15.1	12.5	CR33-50/60	EL195DF090XE48C	8110196
SL18XC1-048-230	TXV	48000	15.5	12.5	CR33-50/60	EL195DF110XE60C	8110197
SL18XC1-048-230	TXV	47500	15.1	12.5	CR33-50/60	EL296DF090XE48C	8110198
SL18XC1-048-230	TXV	48000	15.1	12.5	CR33-50/60	EL296DF090XV60C	8110199
SL18XC1-048-230	TXV	48000	15.5	12.5	CR33-50/60	EL296DF110XE60C	8110200
SL18XC1-048-230	TXV	48000	15.1	12.5	CR33-50/60	EL296DF110XV60C	8110201
SL18XC1-048-230	TXV	48000	15.5	12.5	CR33-50/60	SL280DF090V60C	8110202
SL18XC1-048-230	TXV	48000	15.5	12.5	CR33-50/60	SL280DF110V60C	8110203
SL18XC1-048-230	TXV	48000	15	12.5	CR33-50/60	SLP98DF090XV48C	8110204
SL18XC1-048-230	TXV	48000	15.1	12.5	CR33-50/60	SLP98DF090XV60C	8110205
SL18XC1-048-230	TXV	48000	15.1	12.5	CR33-50/60	SLP98DF110XV60C	8110206
SL18XC1-048-230	TXV	47500	14.5	12	CR33-50/60		8110207
SL18XC1-048-230	TXV	47500	14.5	12	CR33-60		8110208

NOTES:

TXV = Matched with Thermostatic Expansion Valve.

RFC = Matched with RFC metering device.

Ratings are AHRI Certified to AHRI Standard 210/240 (with 25 ft. of connecting refrigerant lines); 95°F outdoor air temperature, 80°F db / 67°F wb entering evaporator air.

All ratings include the use of a blower time delay relay (TDR). All Lennox variable-speed furnaces and Air Handlers have time delay capabilities. Other Furnaces and Air Handlers may require an optional time delay relay (**58M81**) for field installation. See furnace or air handler specifications to determine if relay is needed.

Also see Expansion Valve Kit Usage Table.

AHRI SYSTEM MATCHES

NOTE - For the latest up-to-date system matches please visit the AHRI web site at <http://www.ahridirectory.org>

Model No.	Expansion Device	Capacity	SEER	EER	Coil or Air Handler	Furnace	AHRI Reference
SL18XC1-048-230	TXV	48000	15.1	12.5	CX35-48B	SL280UH090V48B	8552169
SL18XC1-048-230	TXV	48000	15.1	12.5	CX35-48B	SL280UH090XV48B	8552170
SL18XC1-048-230	TXV	48000	15.5	12.5	CX35-48B	SL280UH110V60C	9124227
SL18XC1-048-230	TXV	48000	16	13	CX35-49C	EL180UH090E60C	8552514
SL18XC1-048-230	TXV	48000	15.5	12.5	CX35-49C	EL180UH110E60C	8552181
SL18XC1-048-230	TXV	48000	15.5	12.5	CX35-49C	EL180UH110XE60C	8552182
SL18XC1-048-230	TXV	48000	15.5	12.5	CX35-49C	EL195UH090XE48C	8552179
SL18XC1-048-230	TXV	48000	15.5	12.5	CX35-49C	EL195UH110XE60C	8552180
SL18XC1-048-230	TXV	48000	15.5	12.5	CX35-49C	EL296UH090XE48C	8552187
SL18XC1-048-230	TXV	48000	15.5	12.5	CX35-49C	EL296UH090XV48C	8552183
SL18XC1-048-230	TXV	48000	15.5	12.5	CX35-49C	EL296UH090XV60C	8552184
SL18XC1-048-230	TXV	48000	15.5	12.5	CX35-49C	EL296UH110XE60C	8552188
SL18XC1-048-230	TXV	48000	15.5	12.5	CX35-49C	EL296UH110XV48C	8552185
SL18XC1-048-230	TXV	48000	15.5	12.5	CX35-49C	EL296UH110XV60C	8552186
SL18XC1-048-230	TXV	48000	15.5	12.5	CX35-49C	SL280UH090V60C	8552172
SL18XC1-048-230	TXV	48000	15.5	12.5	CX35-49C	SL280UH090XV60C	8552173
SL18XC1-048-230	TXV	48000	15.5	12.5	CX35-49C	SL280UH110V60C	8552174
SL18XC1-048-230	TXV	48000	15.5	12.5	CX35-49C	SL280UH110XV60C	8552175
SL18XC1-048-230	TXV	48000	15.5	12.5	CX35-49C	SLP98UH090XV48C	8552176
SL18XC1-048-230	TXV	48000	15.5	12.5	CX35-49C	SLP98UH090XV60C	8552177
SL18XC1-048-230	TXV	48000	15.5	12.5	CX35-49C	SLP98UH110XV60C	8552178
SL18XC1-048-230	TXV	48000	14.5	12.5	CX35-49C		8552171
SL18XC1-048-230	TXV	48000	15.1	12.5	CX35-50/60C	CBWMV-60C-100	8552205
SL18XC1-048-230	TXV	48000	15.1	12.5	CX35-50/60C	EL180UH090E60C	8552200
SL18XC1-048-230	TXV	48000	15.5	12.5	CX35-50/60C	EL180UH110E60C	8552516
SL18XC1-048-230	TXV	48000	15.5	12.5	CX35-50/60C	EL180UH110XE60C	8552517
SL18XC1-048-230	TXV	48000	15.1	12.5	CX35-50/60C	EL195UH090XE48C	8552198
SL18XC1-048-230	TXV	48000	15.1	12.5	CX35-50/60C	EL195UH110XE60C	8552199
SL18XC1-048-230	TXV	48000	15.1	12.5	CX35-50/60C	EL296UH090XE48C	8552206
SL18XC1-048-230	TXV	48000	15.1	12.5	CX35-50/60C	EL296UH090XV48C	8552201
SL18XC1-048-230	TXV	48000	15.1	12.5	CX35-50/60C	EL296UH090XV60C	8552202
SL18XC1-048-230	TXV	48000	15.1	12.5	CX35-50/60C	EL296UH110XE60C	8552207
SL18XC1-048-230	TXV	48000	15.1	12.5	CX35-50/60C	EL296UH110XV48C	8552203
SL18XC1-048-230	TXV	48000	15.1	12.5	CX35-50/60C	EL296UH110XV60C	8552204
SL18XC1-048-230	TXV	48000	15.1	12.5	CX35-50/60C	SL280UH090V60C	8552191
SL18XC1-048-230	TXV	48000	15.1	12.5	CX35-50/60C	SL280UH090XV60C	8552192
SL18XC1-048-230	TXV	48000	15.1	12.5	CX35-50/60C	SL280UH110V60C	8552193
SL18XC1-048-230	TXV	48000	15.1	12.5	CX35-50/60C	SL280UH110XV60C	8552194
SL18XC1-048-230	TXV	48000	15.1	12.5	CX35-50/60C	SLP98UH090XV48C	8552195
SL18XC1-048-230	TXV	48000	15.1	12.5	CX35-50/60C	SLP98UH090XV60C	8552196
SL18XC1-048-230	TXV	48000	15.1	12.5	CX35-50/60C	SLP98UH110XV60C	8552197
SL18XC1-048-230	TXV	48000	14.5	12.5	CX35-50/60C		8552190
SL18XC1-048-230	TXV	48000	16	13	CX35-60C	EL180UH090E60C	8552523
SL18XC1-048-230	TXV	48000	16	13	CX35-60C	EL180UH110E60C	8552215
SL18XC1-048-230	TXV	48000	16	13	CX35-60C	EL180UH110XE60C	8552216
SL18XC1-048-230	TXV	48000	16	13	CX35-60C	EL195UH090XE48C	8552214
SL18XC1-048-230	TXV	48000	16	13	CX35-60C	EL195UH110XE60C	8552522
SL18XC1-048-230	TXV	48000	16	13	CX35-60C	EL296UH090XE48C	8552528
SL18XC1-048-230	TXV	48000	16	13	CX35-60C	EL296UH090XV48C	8552524

NOTES:

TXV = Matched with Thermostatic Expansion Valve.

RFC = Matched with RFC metering device.

Ratings are AHRI Certified to AHRI Standard 210/240 (with 25 ft. of connecting refrigerant lines); 95°F outdoor air temperature, 80°F db / 67°F wb entering evaporator air.

All ratings include the use of a blower time delay relay (TDR). All Lennox variable-speed furnaces and Air Handlers have time delay capabilities. Other Furnaces and Air Handlers may require an optional time delay relay (**58M81**) for field installation. See furnace or air handler specifications to determine if relay is needed.

Also see Expansion Valve Kit Usage Table.

AHRI SYSTEM MATCHES

NOTE - For the latest up-to-date system matches please visit the AHRI web site at <http://www.ahridirectory.org>

Model No.	Expansion Device	Capacity	SEER	EER	Coil or Air Handler	Furnace	AHRI Reference
SL18XC1-048-230	TXV	48000	16	13	CX35-60C	EL296UH090XV60C	8552525
SL18XC1-048-230	TXV	48000	16	13	CX35-60C	EL296UH110XE60C	8552217
SL18XC1-048-230	TXV	48000	16	13	CX35-60C	EL296UH110XV48C	8552526
SL18XC1-048-230	TXV	48000	16	13	CX35-60C	EL296UH110XV60C	8552527
SL18XC1-048-230	TXV	48000	16	13	CX35-60C	SL280UH090V60C	8552211
SL18XC1-048-230	TXV	48000	16	13	CX35-60C	SL280UH090XV60C	8552518
SL18XC1-048-230	TXV	48000	16	13	CX35-60C	SL280UH110V60C	8552519
SL18XC1-048-230	TXV	48000	16	13	CX35-60C	SL280UH110XV60C	8552212
SL18XC1-048-230	TXV	48000	16	13	CX35-60C	SLP98UH090XV48C	8552213
SL18XC1-048-230	TXV	48000	16	13	CX35-60C	SLP98UH090XV60C	8552520
SL18XC1-048-230	TXV	48000	16	13	CX35-60C	SLP98UH110XV60C	8552521
SL18XC1-048-230	TXV	48000	15.1	12.5	CX35-60C		8552210
SL18XC1-048-230	TXV	48000	16	13	CX35-60D	EL180UH135E60D	8552532
SL18XC1-048-230	TXV	48000	15.5	12.5	CX35-60D	EL195UH135XE60D	8552531
SL18XC1-048-230	TXV	48000	15.5	12.5	CX35-60D	EL296UH135XE60D	8552222
SL18XC1-048-230	TXV	48000	16	13	CX35-60D	EL296UH135XV60D	8552221
SL18XC1-048-230	TXV	48000	16	13	CX35-60D	SL280UH135V60D	8552529
SL18XC1-048-230	TXV	48000	16	13	CX35-60D	SLP98UH135XV60D	8552530
SL18XC1-048-230	TXV	48000	15.1	12.5	CX35-60D		8552220
SL18XC1-048-230	TXV	48000	14.5	12	CX38-50/60C		10555523
SL18XC1-060-230	TXV	57000	14.5	12.5	C35-49C	CBWMV-60C-100	8551607
SL18XC1-060-230	TXV	57000	15.1	12.5	C35-49C	EL180UH090E60C	8551609
SL18XC1-060-230	TXV	56500	15.1	12.5	C35-49C	EL180UH110E60C	8552489
SL18XC1-060-230	TXV	56500	15	12.5	C35-49C	EL195UH110XE60C	8551608
SL18XC1-060-230	TXV	57000	15.1	12.5	C35-49C	EL296UH110XE60C	8551610
SL18XC1-060-230	TXV	57000	14.5	12	C35-49C		8935131
SL18XC1-060-230	TXV	58000	15.5	12.5	C35-60C	EL180UH090E60C	8552490
SL18XC1-060-230	TXV	58000	15.5	12.5	C35-60C	EL180UH110E60C	8552491
SL18XC1-060-230	TXV	58000	15.1	12.5	C35-60C	EL195UH110XE60C	8551611
SL18XC1-060-230	TXV	58000	15.5	12.5	C35-60C	EL296UH110XE60C	8552492
SL18XC1-060-230	TXV	58000	15.1	12.5	C35-60C		8935132
SL18XC1-060-230	TXV	58000	15.5	12.5	C35-60D	EL180UH135E60D	8552494
SL18XC1-060-230	TXV	57500	15	12.5	C35-60D	EL195UH135XE60D	8551613
SL18XC1-060-230	TXV	58000	15.1	12.5	C35-60D	EL296UH135XE60D	8551614
SL18XC1-060-230	TXV	56500	15.1	12.5	CBA27UHE-060		10259453
SL18XC1-060-230	TXV	56500	15.1	12.5	CBX27UH-060		8109526
SL18XC1-060-230	TXV	56500	15.1	12.5	CBX32M-048		8109527
SL18XC1-060-230	TXV	57000	15.1	12.5	CBX32M-060		8109528
SL18XC1-060-230	TXV	57000	15.1	12.5	CBX32MV-048		8109529
SL18XC1-060-230	TXV	57500	15.1	12.5	CBX32MV-060		8109530
SL18XC1-060-230	TXV	57000	15.5	12.5	CBX32MV-068		8109531
SL18XC1-060-230	TXV	57000	15.1	12.5	CBX40UHV-048		8109532
SL18XC1-060-230	TXV	57500	15.1	12.5	CBX40UHV-060		8109533
SL18XC1-060-230	TXV	55000	15	12	CH23-65	EL180UH090E60C	8109534
SL18XC1-060-230	TXV	55000	14.5	12	CH23-65	EL180UH110E60C	8109535
SL18XC1-060-230	TXV	55000	15	12	CH23-65	EL180UH135E60D	8109536
SL18XC1-060-230	TXV	55000	14.5	12	CH23-65	EL195UH110XE60C	8109537
SL18XC1-060-230	TXV	55000	14.5	12	CH23-65	EL195UH135XE60D	8109538
SL18XC1-060-230	TXV	55000	14.5	12	CH23-65	EL296UH090XV60C	8109539

NOTES:

TXV = Matched with Thermostatic Expansion Valve.

RFC = Matched with RFC metering device.

Ratings are AHRI Certified to AHRI Standard 210/240 (with 25 ft. of connecting refrigerant lines); 95°F outdoor air temperature, 80°F db / 67°F wb entering evaporator air.

All ratings include the use of a blower time delay relay (TDR). All Lennox variable-speed furnaces and Air Handlers have time delay capabilities. Other Furnaces and Air Handlers may require an optional time delay relay (**58M81**) for field installation. See furnace or air handler specifications to determine if relay is needed.

Also see Expansion Valve Kit Usage Table.

AHRI SYSTEM MATCHES

NOTE - For the latest up-to-date system matches please visit the AHRI web site at <http://www.ahridirectory.org>

Model No.	Expansion Device	Capacity	SEER	EER	Coil or Air Handler	Furnace	AHRI Reference
SL18XC1-060-230	TXV	55000	15	12	CH23-65	EL296UH110XE60C	8109540
SL18XC1-060-230	TXV	55000	14.5	12	CH23-65	EL296UH110XV60C	8109541
SL18XC1-060-230	TXV	55000	14.5	12	CH23-65	EL296UH135XE60D	8109542
SL18XC1-060-230	TXV	55500	14.5	12	CH23-65	EL296UH135XV60D	8109543
SL18XC1-060-230	TXV	55000	15	12.5	CH23-65	SL280UH090V60C	8109544
SL18XC1-060-230	TXV	55000	15	12.5	CH23-65	SL280UH090XV60C	8109545
SL18XC1-060-230	TXV	55000	15	12.5	CH23-65	SL280UH110V60C	8109546
SL18XC1-060-230	TXV	55000	15.1	12.5	CH23-65	SL280UH135V60D	8109547
SL18XC1-060-230	TXV	54500	14.5	12	CH23-65	SLP98UH090XV60C	8109548
SL18XC1-060-230	TXV	55000	14.5	12	CH23-65	SLP98UH110XV60C	8109549
SL18XC1-060-230	TXV	55000	15	12	CH23-65	SLP98UH135XV60D	8109550
SL18XC1-060-230	TXV	55000	14.25	12	CH23-65		8109551
SL18XC1-060-230	TXV	57500	15.5	12.5	CH23-68	EL180UH090E60C	8109552
SL18XC1-060-230	TXV	57500	15.5	12.5	CH23-68	EL180UH110E60C	8109553
SL18XC1-060-230	TXV	58000	15.5	12.5	CH23-68	EL180UH135E60D	8109554
SL18XC1-060-230	TXV	57500	15.5	12.5	CH23-68	EL195UH110XE60C	8109555
SL18XC1-060-230	TXV	58000	15.1	12.5	CH23-68	EL195UH135XE60D	8109556
SL18XC1-060-230	TXV	57500	15.1	12.5	CH23-68	EL296UH090XV60C	8109557
SL18XC1-060-230	TXV	57500	15.5	12.5	CH23-68	EL296UH110XE60C	8109558
SL18XC1-060-230	TXV	57500	15.1	12.5	CH23-68	EL296UH110XV60C	8109559
SL18XC1-060-230	TXV	58000	15.1	12.5	CH23-68	EL296UH135XE60D	8109560
SL18XC1-060-230	TXV	58000	15.1	12.5	CH23-68	EL296UH135XV60D	8109561
SL18XC1-060-230	TXV	57500	15.5	12.5	CH23-68	SL280UH090V60C	8109562
SL18XC1-060-230	TXV	57500	15.5	12.5	CH23-68	SL280UH090XV60C	8109563
SL18XC1-060-230	TXV	57500	15.5	12.5	CH23-68	SL280UH110V60C	8109564
SL18XC1-060-230	TXV	58000	15.5	12.5	CH23-68	SL280UH135V60D	8109565
SL18XC1-060-230	TXV	57000	15.1	12.5	CH23-68	SLP98UH090XV60C	8109566
SL18XC1-060-230	TXV	57500	15.1	12.5	CH23-68	SLP98UH110XV60C	8109567
SL18XC1-060-230	TXV	57500	15.5	12.5	CH23-68	SLP98UH135XV60D	8109568
SL18XC1-060-230	TXV	57500	15	12.5	CH23-68		8109569
SL18XC1-060-230	TXV	56500	14.5	12	CH33-50/60C	SLP98UH110XV60C	8109570
SL18XC1-060-230	TXV	56500	15.1	12.5	CH33-60D	EL180UH135E60D	8109572
SL18XC1-060-230	TXV	56500	14.5	12	CH33-60D	EL195UH135XE60D	8109573
SL18XC1-060-230	TXV	56500	14.5	12	CH33-60D	EL296UH135XE60D	8109571
SL18XC1-060-230	TXV	56500	15.1	12.5	CH33-60D	EL296UH135XV60D	8109574
SL18XC1-060-230	TXV	56500	15.1	12.5	CH33-60D	SLP98UH135XV60D	8109575
SL18XC1-060-230	TXV	56000	14.5	12	CH33-60D		8109576
SL18XC1-060-230	TXV	57000	15.1	12.5	CH33-62D	EL180UH135E60D	8109578
SL18XC1-060-230	TXV	57000	15	12.5	CH33-62D	EL195UH135XE60D	8109579
SL18XC1-060-230	TXV	57000	15	12.5	CH33-62D	EL296UH135XE60D	8109577
SL18XC1-060-230	TXV	57500	15.1	12.5	CH33-62D	EL296UH135XV60D	8109580
SL18XC1-060-230	TXV	57000	15.1	12.5	CH33-62D	SL280UH090V60C	8109581
SL18XC1-060-230	TXV	57000	15.1	12.5	CH33-62D	SL280UH090XV60C	8109582
SL18XC1-060-230	TXV	56500	15.1	12.5	CH33-62D	SL280UH110V60C	8109583
SL18XC1-060-230	TXV	57500	15.1	12.5	CH33-62D	SL280UH135V60D	8109584
SL18XC1-060-230	TXV	57000	15.1	12.5	CH33-62D	SLP98UH135XV60D	8109585
SL18XC1-060-230	TXV	57000	14.5	12	CH33-62D		8109586
SL18XC1-060-230	TXV	57000	15.5	12.5	CH35-51C	EL180UH090E60C	8109587
SL18XC1-060-230	TXV	57000	15.1	12.5	CH35-51C	EL180UH110E60C	8109588

NOTES:

TXV = Matched with Thermostatic Expansion Valve.

RFC = Matched with RFC metering device.

Ratings are AHRI Certified to AHRI Standard 210/240 (with 25 ft. of connecting refrigerant lines); 95°F outdoor air temperature, 80°F db / 67°F wb entering evaporator air.

All ratings include the use of a blower time delay relay (TDR). All Lennox variable-speed furnaces and Air Handlers have time delay capabilities. Other Furnaces and Air Handlers may require an optional time delay relay (**58M81**) for field installation. See furnace or air handler specifications to determine if relay is needed.

Also see Expansion Valve Kit Usage Table.

AHRI SYSTEM MATCHES

NOTE - For the latest up-to-date system matches please visit the AHRI web site at <http://www.ahridirectory.org>

Model No.	Expansion Device	Capacity	SEER	EER	Coil or Air Handler	Furnace	AHRI Reference
SL18XC1-060-230	TXV	57000	15.1	12.5	CH35-51C	EL195UH110XE60C	8109589
SL18XC1-060-230	TXV	57000	15.1	12.5	CH35-51C	EL296UH110XE60C	8109590
SL18XC1-060-230	TXV	57500	15.1	12.5	CH35-51C	SL280UH090V60C	8109591
SL18XC1-060-230	TXV	57000	15.1	12.5	CH35-51C	SL280UH110V60C	8109592
SL18XC1-060-230	TXV	56500	14.5	12	CH35-51C	SLP98UH090XV60C	8109593
SL18XC1-060-230	TXV	57500	15	12.5	CH35-51C	SLP98UH110XV60C	8109594
SL18XC1-060-230	TXV	57500	15	12.5	CH35-51C		8109595
SL18XC1-060-230	TXV	57000	15.1	12.5	CH35-60D	EL180UH135E60D	8109596
SL18XC1-060-230	TXV	57500	15	12.5	CH35-60D	EL195UH135XE60D	8109597
SL18XC1-060-230	TXV	57500	15	12.5	CH35-60D	EL296UH135XE60D	8109598
SL18XC1-060-230	TXV	57500	15.1	12.5	CH35-60D	SL280UH135V60D	8109599
SL18XC1-060-230	TXV	57500	15.1	12.5	CH35-60D	SLP98UH135XV60D	8109600
SL18XC1-060-230	TXV	57000	14.5	12	CH35-60D		8109601
SL18XC1-060-230	TXV	56000	15.1	12.5	CR33-50/60	EL180DF110E60C	8109602
SL18XC1-060-230	TXV	55500	15	12.5	CR33-50/60	EL195DF110XE60C	8109603
SL18XC1-060-230	TXV	55500	14.5	12	CR33-50/60	EL296DF090XV60C	8109604
SL18XC1-060-230	TXV	55500	15	12.5	CR33-50/60	EL296DF110XE60C	8109605
SL18XC1-060-230	TXV	55500	14.5	12	CR33-50/60	EL296DF110XV60C	8109606
SL18XC1-060-230	TXV	55500	15	12	CR33-50/60	SL280DF090V60C	8109607
SL18XC1-060-230	TXV	55500	15	12.5	CR33-50/60	SL280DF110V60C	8109608
SL18XC1-060-230	TXV	55000	14.5	12	CR33-50/60	SLP98DF090XV60C	8109609
SL18XC1-060-230	TXV	55000	14.5	12	CR33-50/60	SLP98DF110XV60C	8109610
SL18XC1-060-230	TXV	55000	14.5	12	CR33-50/60		8109611
SL18XC1-060-230	TXV	55000	14.5	12	CR33-60		8109612
SL18XC1-060-230	TXV	57000	14.5	12.5	CX35-49C	CBWMV-60C-100	8551588
SL18XC1-060-230	TXV	57000	15.1	12.5	CX35-49C	EL180UH090E60C	8551583
SL18XC1-060-230	TXV	56500	15.1	12.5	CX35-49C	EL180UH110E60C	8551584
SL18XC1-060-230	TXV	56500	15.1	12.5	CX35-49C	EL195UH110XE60C	8551582
SL18XC1-060-230	TXV	57000	14.5	12	CX35-49C	EL296UH090XV60C	8551592
SL18XC1-060-230	TXV	57000	15.1	12.5	CX35-49C	EL296UH110XE60C	8551590
SL18XC1-060-230	TXV	57000	14.5	12.5	CX35-49C	EL296UH110XV60C	8551591
SL18XC1-060-230	TXV	57000	15.1	12.5	CX35-49C	SL280UH090V60C	8551585
SL18XC1-060-230	TXV	57000	15.1	12.5	CX35-49C	SL280UH090XV60C	8551589
SL18XC1-060-230	TXV	56500	15	12.5	CX35-49C	SLP98UH090XV60C	8551586
SL18XC1-060-230	TXV	57000	14.5	12.5	CX35-49C	SLP98UH110XV60C	8551587
SL18XC1-060-230	TXV	57000	14.5	12	CX35-49C		8551581
SL18XC1-060-230	TXV	58000	15.5	12.5	CX35-60C	EL180UH090E60C	8551595
SL18XC1-060-230	TXV	58000	15.5	12.5	CX35-60C	EL180UH110E60C	8551596
SL18XC1-060-230	TXV	58000	15.1	12.5	CX35-60C	EL195UH110XE60C	8551594
SL18XC1-060-230	TXV	58000	15	12.5	CX35-60C	EL296UH090XV60C	8552486
SL18XC1-060-230	TXV	58000	15.5	12.5	CX35-60C	EL296UH110XE60C	8552485
SL18XC1-060-230	TXV	58000	15.1	12.5	CX35-60C	EL296UH110XV60C	8551601
SL18XC1-060-230	TXV	58000	15.5	12.5	CX35-60C	SL280UH090V60C	8551597
SL18XC1-060-230	TXV	58000	15.5	12.5	CX35-60C	SL280UH090XV60C	8551600
SL18XC1-060-230	TXV	58000	15.5	12.5	CX35-60C	SL280UH110V60C	8552484
SL18XC1-060-230	TXV	58000	15	12.5	CX35-60C	SLP98UH090XV60C	8551598
SL18XC1-060-230	TXV	58000	15.1	12.5	CX35-60C	SLP98UH110XV60C	8551599
SL18XC1-060-230	TXV	58000	15.1	12.5	CX35-60C		8551593
SL18XC1-060-230	TXV	58000	15.5	12.5	CX35-60D	EL180UH135E60D	8552487

NOTES:

TXV = Matched with Thermostatic Expansion Valve.

RFC = Matched with RFC metering device.

Ratings are AHRI Certified to AHRI Standard 210/240 (with 25 ft. of connecting refrigerant lines); 95°F outdoor air temperature, 80°F db / 67°F wb entering evaporator air.

All ratings include the use of a blower time delay relay (TDR). All Lennox variable-speed furnaces and Air Handlers have time delay capabilities. Other Furnaces and Air Handlers may require an optional time delay relay (**58M81**) for field installation. See furnace or air handler specifications to determine if relay is needed.

Also see Expansion Valve Kit Usage Table.

AHRI SYSTEM MATCHES

NOTE - For the latest up-to-date system matches please visit the AHRI web site at <http://www.ahridirectory.org>

Model No.	Expansion Device	Capacity	SEER	EER	Coil or Air Handler	Furnace	AHRI Reference
SL18XC1-060-230	TXV	58000	15.1	12.5	CX35-60D	EL296UH135XV60D	8552488
SL18XC1-060-230	TXV	57500	15.5	12.5	CX35-60D	SL280UH135V60D	8551603
SL18XC1-060-230	TXV	58000	15.1	12.5	CX35-60D	SLP98UH135XV60D	8551606
SL18XC1-060-230	TXV	57500	14.5	12.5	CX35-60D		8551602

NOTES:

TXV = Matched with Thermostatic Expansion Valve.

RFC = Matched with RFC metering device.

Ratings are AHRI Certified to AHRI Standard 210/240 (with 25 ft. of connecting refrigerant lines); 95°F outdoor air temperature, 80°F db / 67°F wb entering evaporator air.

All ratings include the use of a blower time delay relay (TDR). All Lennox variable-speed furnaces and Air Handlers have time delay capabilities. Other Furnaces and Air Handlers may require an optional time delay relay (**58M81**) for field installation. See furnace or air handler specifications to determine if relay is needed.

Also see Expansion Valve Kit Usage Table.

REVISIONS

Sections	Description of Change
AHRI System Matches	Updated



Visit us at www.lennox.com

For the latest technical information, www.LennoxPROs.com

Contact us at 1-800-4-LENNOX

NOTE - Due to Lennox' ongoing commitment to quality, Specifications, Ratings and Dimensions subject to change without notice and without incurring liability. Improper installation, adjustment, alteration, service or maintenance can cause property damage or personal injury. Installation and service must be performed by a qualified installer and servicing agency.

©2017 Lennox Industries, Inc.